

# WW22K6800AW

Samsung 24" Front-Load Washer

## 2.2 cu. ft. Capacity DOE

### Features

- Steam Wash
- Super Speed
- VRT™ – Vibration Reduction Technology
- Smart Care
- Self Clean
- Diamond Drum Design
- DIT Motor
- 1400 RPM Maximum Spin Speed
- Internal Water Heater
- 12 Preset Wash Cycles
- 8 Options
- Garment+

### Convenience

- Child Lock
- Door Lock
- Dispenser Trays:  
Main Wash, Softener, Bleach



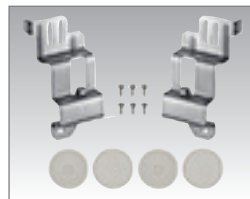
IMEF = 2.25  
IWF = 4.0  
90 kWh/yr



Steam Wash



Super Speed



Optional Stacking Kit: SK-DH

### Available Color:



White

## Signature Features

### STEAM WASHING

- Powerful steam helps to remove stains, reducing the need for pre-treatment.

### SUPER SPEED

- Over 30% faster wash cycle.<sup>1</sup>
- Wash a full load in only 40 minutes.
- Laundry gets done quicker without loss of performance.

<sup>1</sup> Normal one-hour wash can now be completed in as little as up to 58 minutes on the WW22K6800.

### VRT™ – VIBRATION REDUCTION TECHNOLOGY

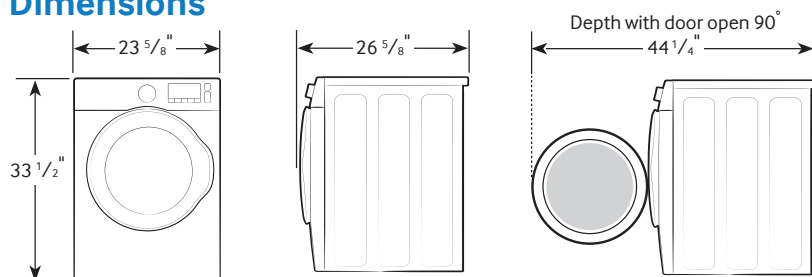
- Virtually silent washing.
- So quiet, you'll hardly know your washer is on.

**SAMSUNG**

# WW22K6800AW

## Samsung 24" Front-Load Washer

### Dimensions

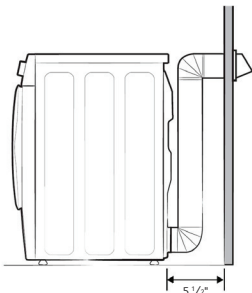
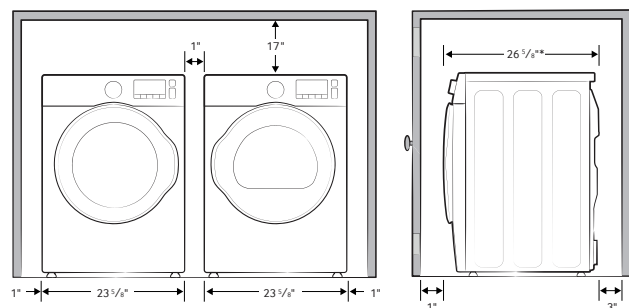


### Installation Specifications

If the washer and dryer are installed together or the dryer alone, the closet front must have two unobstructed air openings for a combined minimum total area of 72 in.<sup>2</sup> (see stacked build below). Your washer alone does not require a specific air opening.

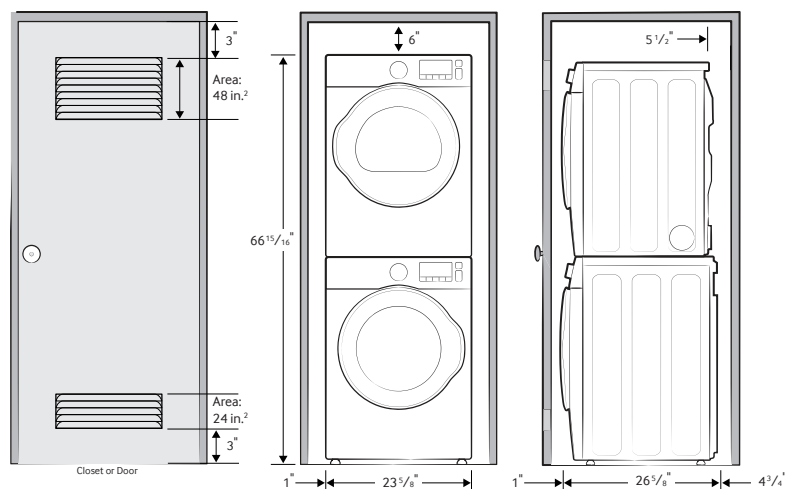
#### 1. Alcove or closet installation

MINIMUM CLEARANCES FOR CLOSET AND ALCOVE



When installing with matching dryer, if the exhaust duct is installed at the rear of the dryer, the rear must have at least 5 1/2 inch clearance.

#### 2. With stacked washer and dryer



### 2.2 cu. ft. Capacity DOE

#### 12 Preset Wash Cycles:

Normal, Heavy Duty, Permanent Press, Sanitize, Allergen, Self Clean, Deep Steam, Active Wear, Delicates, Wool, Quick Wash, Rinse and Spin

#### 8 Options:

SuperSpeed, Delay End, My Cycle, Extra Rinse, Spin Only, Sound, Child Lock, Smart Care

#### 5 Temperature Settings:

Extra Hot, Hot, Warm, Cold, Tap Cold

#### 5 Spin Settings:

Extra High, High, Medium, Low, No Spin

#### 5 Soil Settings:

Heavy, Heavy Medium, Normal, Low Medium, Light

#### Dispenser Trays:

Main Wash, Softener, Bleach

#### Warranty

One (1) Year Parts and Labor

One (1) Year Control Board

Three (3) Years Stainless Steel Drum

Ten (10) Years DIT Motor

#### Product Dimensions & Weight (WxHxD)

Dimensions: 23 5/8" x 33 1/2" x 26 5/8"

Weight: 157 lbs

#### Shipping Dimensions & Weight (WxHxD)

Dimensions: 26 1/4" x 35 1/16" x 27 7/16"

Weight: 161 lbs

#### Color

White

#### Model #

WW22K6800AW

#### UPC Code

887276126876

#### Matching Dryer (Electric)

White

DV22K6800EW

887276124537

#### Optional Stacking Kit

Sold separately

SK-DH

887276151052

**SAMSUNG**

Actual color may vary. Design, specifications, and color availability are subject to change without notice. Non-metric weights and measurements are approximate.

©2016 Samsung Electronics America, Inc. 85 Challenger Road, Ridgefield Park, NJ 07660. Tel: 800-SAMSUNG. samsung.com. Samsung is a registered trademark of Samsung Electronics Co. Ltd.