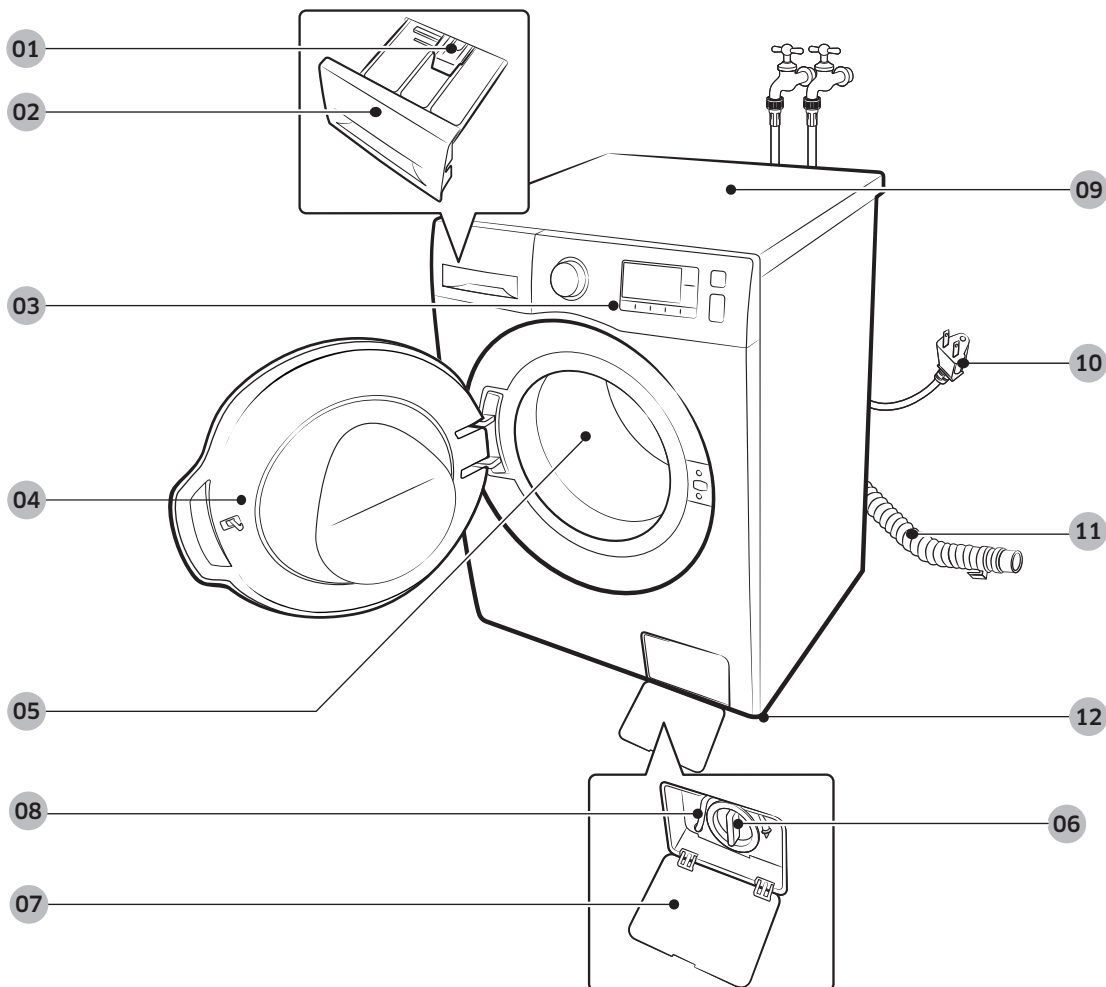


# Installation

Follow these instructions carefully to ensure proper installation of the washer and to prevent accidents when doing laundry.

## What's included

Make sure all the parts are included in the product package. If you have a problem with the washer or the parts, contact a local Samsung customer center or the retailer.



**01** Release lever

**02** Detergent drawer

**03** Control panel

**04** Door

**05** Drum

**06** Pump filter

**07** Filter cover

**08** Emergency drain tube

**09** Worktop

**10** Power plug

**11** Drain hose

**12** Levelling feet

# Installation



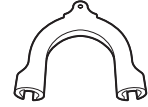
Spanner



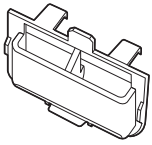
Bolt caps



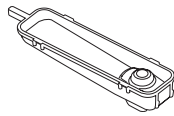
Cap fixer



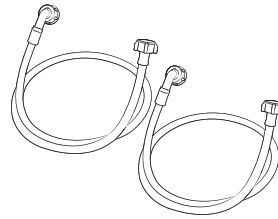
Hose guide



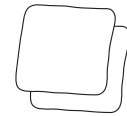
Liquid detergent container



Drawer bleach



Water hoses



Anti-slip pads (sold separately)

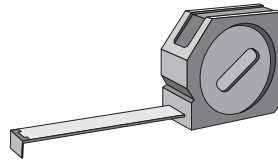
## Tools needed for installation



Philips screwdriver



Level



Measuring tape



Adjustable Plier

### NOTE

- Bolt caps: The provided number (3 to 6) of bolt caps depends on the model.
- The appearance of the machine and provided accessories may differ with the model.

### CAUTION

- Do not reuse old water hoses, which may leak or burst, causing flooding and/or property damage.
- Make sure the rubber washers are inserted in each coupling of the water hose.

---

## Installation requirements

---

### Electrical supply and grounding

- AC 120 V / 60 Hz / 15 AMP fuse or circuit breaker is required.
- Use an individual branch circuit specific to the washer.

To ensure proper grounding, the washer comes with a power cord featuring a three-prong grounding plug for use in a properly installed and grounded outlet.

Check with a qualified electrician or service person if you are not sure about the grounding.

Do not modify the provided plug. If it does not fit the outlet, call a qualified electrician to install a proper outlet.

#### **WARNING**

- Do NOT use an extension cord.
- Use only the power cord that comes with the washer.
- Do NOT connect the ground wire to plastic plumbing, gas lines, or hot water pipes.
- Improperly connected grounding conductors may cause electric shock.
- To prevent unnecessary risk of fire, electrical shock, or personal injury, all wiring and grounding must be done in accordance with local codes, or in the absence of local codes, in accordance with the National Electrical Code, ANSI/ NFPA No. 70-Latest Revision (for the U.S.) or the Canadian Electrical Code CSA C22.1 - Latest Revisions and local codes and ordinances. It is your responsibility to provide adequate electrical service for your washer.

### Water supply

A proper water pressure for this washer is between 20-116 psi (137-800 kPa). Water pressure less than 20 psi (137 kPa) may cause the water valve not to close completely. Or, it may take longer to fill the drum, causing the washer to turn off. Faucets must be within 4 feet (122 cm) from the rear of the washer so that the provided inlet hoses reach the washer.

To reduce the risk of leaks:

- Make sure faucets are easily accessible.
- Turn off the taps when the washer is not in use.
- Check for any leaks at the water inlet hose fittings on a regular basis.

#### **CAUTION**

Before using the washer for the first time, check all connections at the water valve and taps for any leaks.

### Drain

Samsung recommends a standpipe in height of 18 in (46 cm). The drain hose must be connected through the hose clip to the standpipe, and the standpipe must fully cover the drain hose.

# Installation

## Flooring

For best performance, the washer must be installed on a solid floor. Wood floors may need to be reinforced to minimize vibration and/or unbalanced loads. Carpeting and soft tile surfaces are not a good resistance to vibrations and may cause the washer to move slightly during the spin cycle.

### ⚠ CAUTION

Do NOT install the washer on a platform or a poorly supported structure.

## Water temperature

Do not install the washer in areas where water may freeze as the washer always retains some water in its water valves, pumps, and/or hoses. Frozen water left in the connection parts may cause damage to belts, the pump, and other components of the washer.

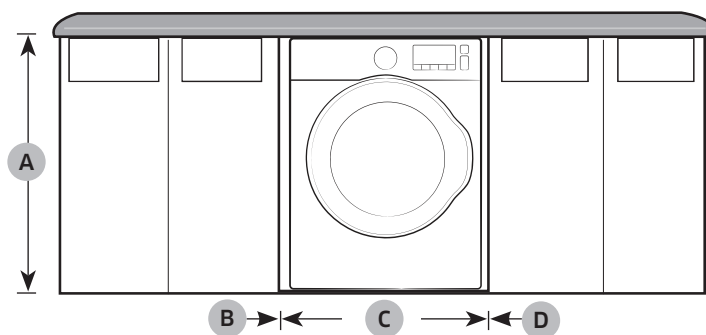
## Alcove or closet installation

Minimum clearance for stable operation:

|       |                  |
|-------|------------------|
| Sides | 1 in. (25 mm)    |
| Top   | 17 in. (432 mm)  |
| Rear  | 5.9 in. (150 mm) |
| Front | 2 in. (51 mm)    |

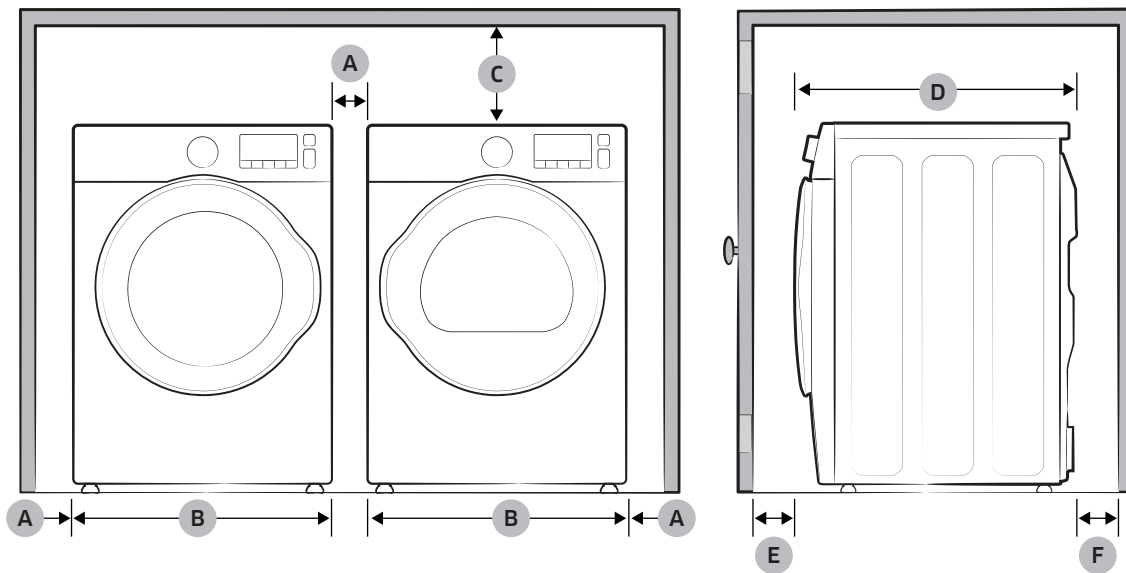
If both the washer and a dryer are installed in the same location, the front of the alcove or closet must have at least a 72 in<sup>2</sup> (465 cm<sup>2</sup>) unobstructed air opening. Your washer alone does not require a specific air opening.

## Undercounter installation



|   |                 |   |                 |
|---|-----------------|---|-----------------|
| A | 39 in. (991 mm) | C | 27 in. (686 mm) |
| B | 1 in. (25 mm)   | D | 1 in. (25 mm)   |

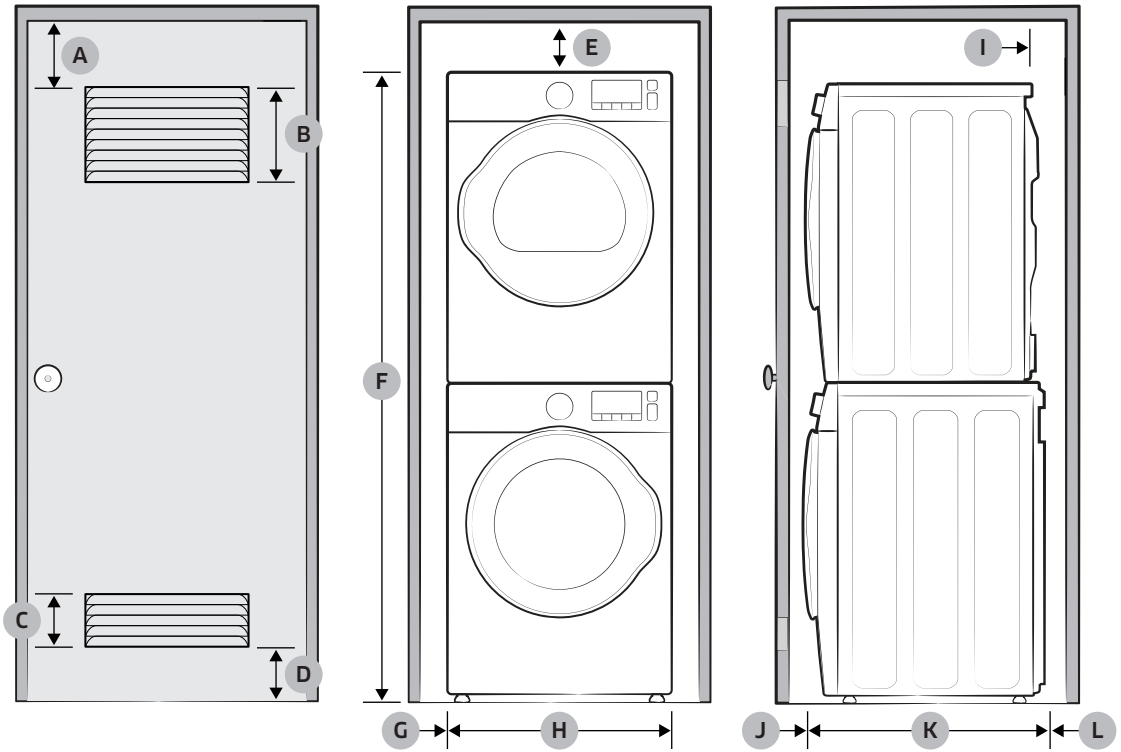
Side by side installation



|    |                   |   |                   |
|----|-------------------|---|-------------------|
| A* | 1 in. (25 mm)     | D | 25.8 in. (655 mm) |
| B  | 23.6 in. (600 mm) | E | 3 in. (76 mm)     |
| C  | 17 in. (432 mm)   | F | 3 in. (76 mm)     |

\*This clearance is not applicable to standalone washers.

# Installation



|   |   |   |                   |
|---|---|---|-------------------|
| A | 3 in. (76 mm)                               | G | 1 in. (25 mm)     |
| B | 48 in <sup>2</sup> . (310 mm <sup>2</sup> ) | H | 23.6 in. (600 mm) |
| C | 24 in <sup>2</sup> . (155 mm <sup>2</sup> ) | I | 5.5 in. (140 mm)  |
| D | 3 in. (76 mm)                               | J | 3 in.(76mm)       |
| E | 6 in. (152 mm)                              | K | 26.6 in. (676 mm) |
| F | 67 in. (1702 mm)                            | L | 4.75 in. (120 mm) |

## WARNING

Samsung's washers and dryers can be stacked to maximize usable space.

The dryer legs need to be removed to stack the washer and dryer. You can purchase an optional stacking kit from your Samsung retailer.

Stacked installation (Model: SK-DH)

---

## Step-by-step installation

---

### STEP 1 Select a location

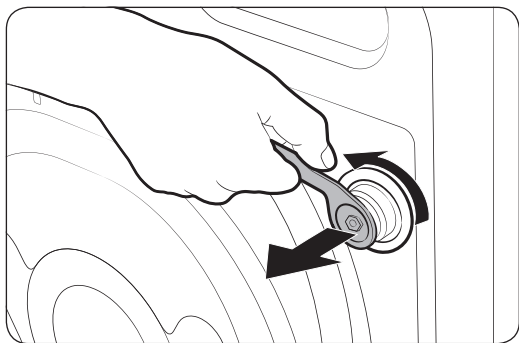
---

Location requirements:

- Solid, level surface without carpeting or flooring that may obstruct ventilation
- Away from direct sunlight
- Adequate room for ventilation and wiring
- The ambient temperature is always higher than the freezing point (0 °C)
- Away from a heat source

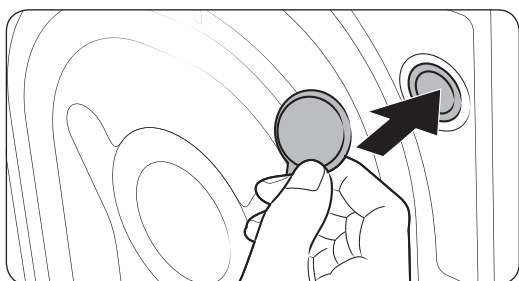
### STEP 2 Remove the shipping bolts

---



Unpack the product package and remove all shipping bolts.

1. Loosen all shipping bolts on the rear of the machine using the supplied spanner.
2. Fill the holes with the supplied plastic bolt caps. Keep the shipping bolts for future use.

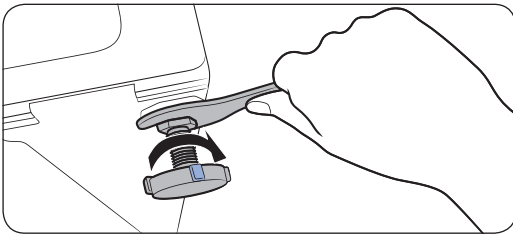
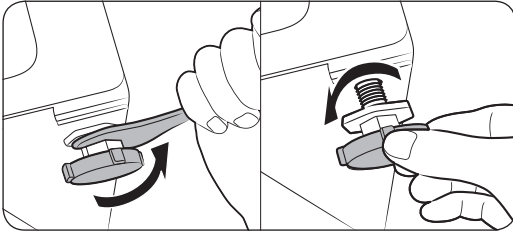


#### **WARNING**

Packaging materials can be dangerous to children. Dispose all packaging material (plastic bags, polystyrene, etc.) out of children's reach.

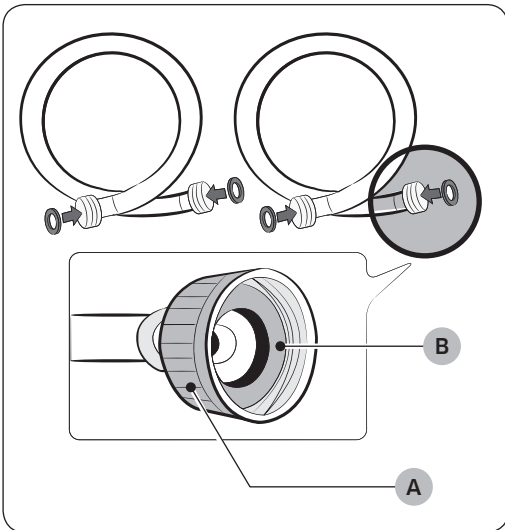
# Installation

## STEP 3 Adjust the levelling feet



1. Gently slide the washer into position. Excessive force may damage the levelling feet.
2. Level the washer by manually adjusting the levelling feet.
3. When levelling is complete, tighten the nuts using the spanner.

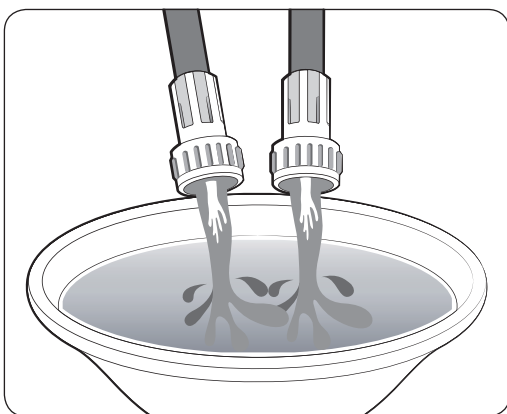
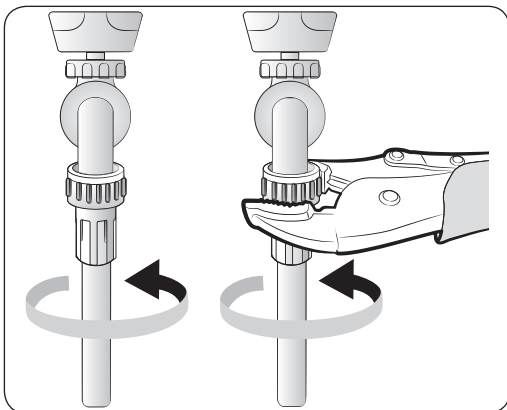
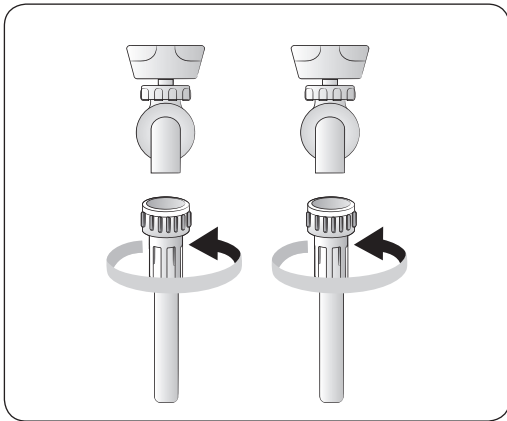
## STEP 4 Connect the water hose



### ⚠ CAUTION

- Make sure you use a new water hose, and there are rubber gaskets (B) inside the couplings (A) at either end of the water hose. A water hose without the gasket may cause a water leak.
- If there is a water leak, stop using the washer and contact a local Samsung service center. This may cause electric shock.
- Do not stretch the water hose by force. If the hose is too short, replace the hose with a longer, high-pressure hose.
- To prevent leaks, make sure both water hoses are not bent or kinked. A water leak may cause electric shock.

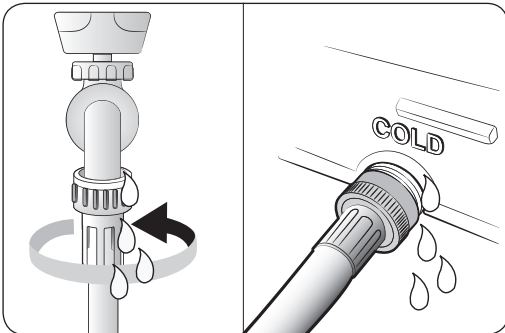
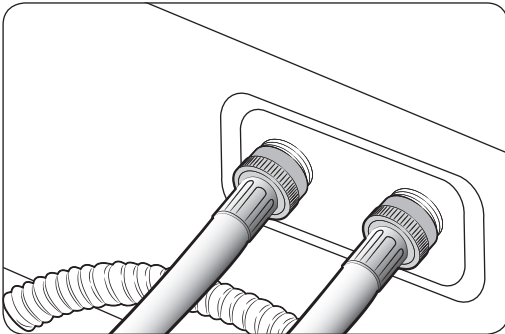
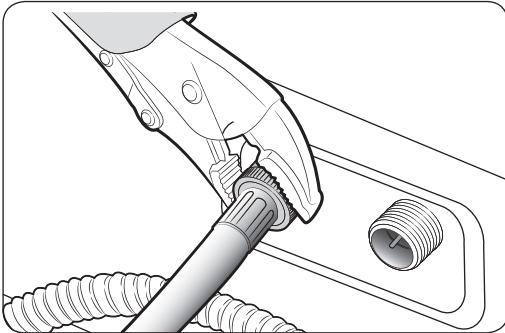
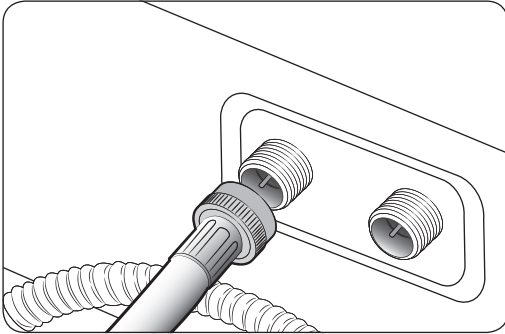




To connect the water hose to the faucet:

1. Connect one end of each water hose to the Hot or Cold tap.
2. Turn the fittings manually to the end, and then tighten them just by an additional two-thirds of a turn with a plier. Do not overtighten them to prevent damage to the fittings.
3. When done, pull up or down the water hoses to check if they are properly connected.
4. Put the other ends of the hoses into a bucket and open the taps for 10-15 seconds to remove impurities. When done, close the taps.

# Installation



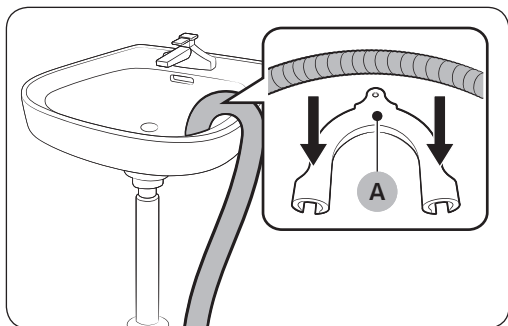
5. Connect the other ends of the water hoses to the corresponding inlets on the rear of the machine as specified. Make sure the hot water hose is connected to the hot inlet, and the cold water hose to the cold inlet.
6. Repeat step 2 above on the other fittings. Make sure both water hoses are connected properly. See the '4C' information code for troubleshooting.
7. Open both faucets, and check if there is a leak.

## NOTE

If you do not want to use the hot water hose, insert the inlet cap into the hot water inlet. In this case, you must select Tap Cold for the water temperature. All other water indicators turn off.

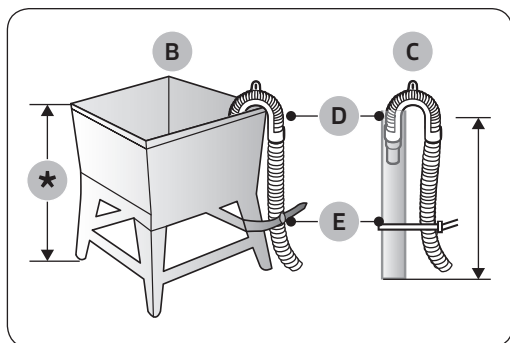
## STEP 5 Position the drain hose

The drain hose can be positioned in three ways:



### Over the edge of a wash basin

The drain hose must be placed at a height of between 24 in. (60 cm) and 35 in. (90 cm) from the floor. To keep the spout of the drain hose bent, use the supplied plastic **hose guide (A)**. Secure the guide to the wall using a hook to ensure stable drainage.



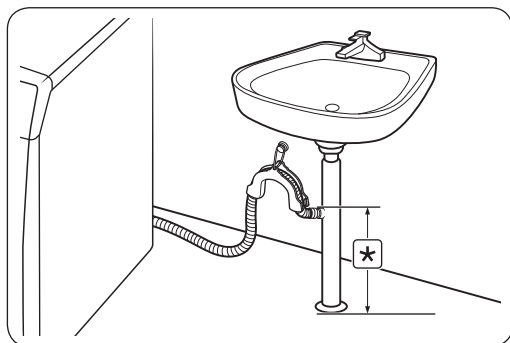
### In a standpipe or laundry tub

The laundry tub (B) or standpipe (C) must be no shorter than 18 in. (46 cm) and no longer than 96 in. (245 cm). Make sure the drain hose and the standpipe are not airtight.

#### NOTE

D: Hose retainer / E: Tie straps

(\*): 18 in. (46 cm) ~ 96 in. (245 cm)

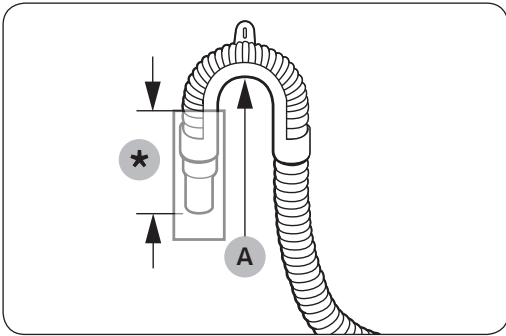


### In a sink drain pipe branch

The drain pipe branch must be above the sink siphon so that the end of the hose is at least 24 in. (60 cm) above the ground.

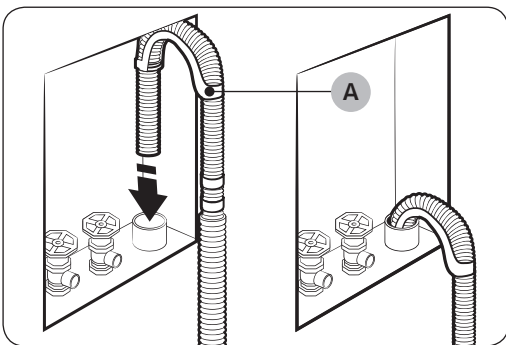
(\*) : 24in. (60 cm)

# Installation



## ⚠ CAUTION

- Connect the **hose guide (A)** within 6 in. (15 cm)\* from the end of the drain hose. If the drain hose is extended beyond the end of the hose guide, moulds or microorganisms could spread inside the washer.
- The drain hose can be installed up to 96 in. (245 cm) high, but the draining capability can be reduced at the maximum height. Remaining water in the drain system may cause an odour.
- If the drain hose is installed less than 18 in. (46 cm) high, water can be drained during the process due to a siphon phenomenon. If this happens, an information code of '4E' appears on the display.



## Wall standpipe drain system

The drain hose must be placed into a wall standpipe drain system. To keep the end of the drain hose bent, use the supplied hose guide (A). Secure the guide to the wall using a hook to ensure stable drainage.

## STEP 6 Power on

Plug the power cord into a wall socket featuring an AC 120 V / 60 Hz / 15 AMP approved electrical outlet protected by a fuse or circuit breaker. Then, press **Power** to turn on the washer.