



Installation

Follow these instructions carefully to ensure proper installation of the washer and to prevent accidents when doing laundry.

WARNING

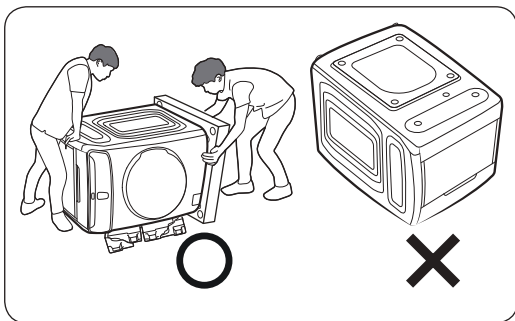
Control board, heat sink, motor, inlet valve, and pump are intentionally not grounded and may present a risk of electric shock only during servicing.

Unpacking your washer

Unpack your washer and inspect it for shipping damage. Make sure you have received all the items shown below. If your washer was damaged during shipping, or you do not have all of the items, contact 1-800-SAMSUNG (1-800-726-7864). To prevent personal injury or strain, wear protective gloves whenever lifting or carrying the unit.

WARNING

Packing materials can be dangerous to children; Keep all packing material (plastic bags, polystyrene, etc.) well out of children's reach.



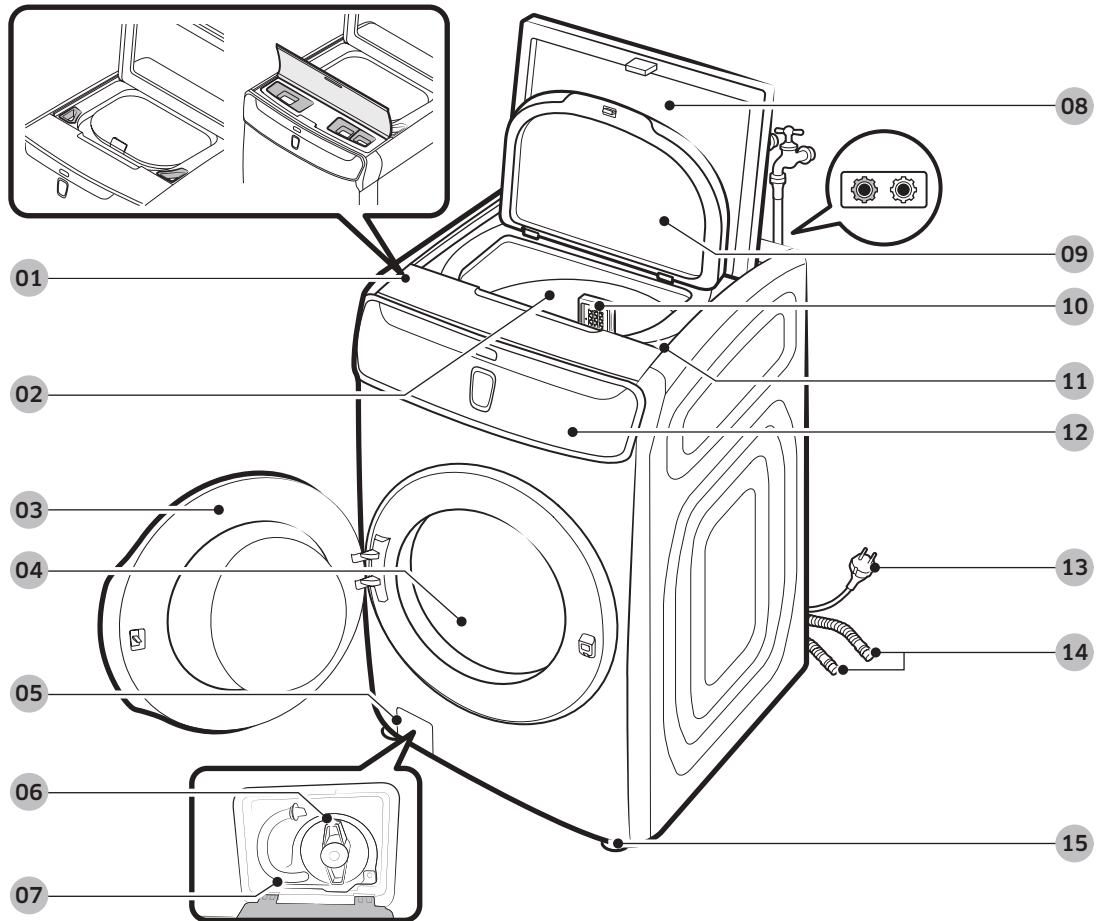
CAUTION

When unpacking the washer, a 2 person collaboration is needed. To remove the cushion bottom of the packing materials, do not tip the washer over on its front. When you lay the washer down to remove the carton base, protect the sides of the washer and lay it down carefully. Never lay your washer on its back or front.



What's included

Make sure all the parts are included in the product package. If you have a question about the washer or the parts, contact a local Samsung customer center or your retailer.



01 Lower detergent compartment	02 Tub	03 Front door
04 Drum	05 Filter cover	06 Pump filter
07 Emergency drain tube	08 Top door	09 Protective cover (inner)
10 Lint filter	11 Upper detergent compartment	12 Main panel
13 Power plug	14 Upper drain hose & lower drain hose	15 Levelling legs

Installation

Accessories (supplied)



Bolt caps



Hose guide (x 2)



Tie straps



Aqua Pebble



* Rubber cups



Pipe connector



Clamp rings (x2)

* When not using the pedestal, use the rubber cups for soft floors or surfaces.

Accessories (not supplied)

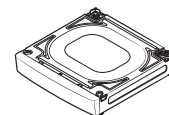
You must purchase these items at a local service center.



Water hoses (sold separately)



Anti-slip pads (sold separately)



Pedestal (flex system only)

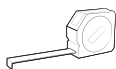
NOTE

- The number (7 to 9) of bolt caps provided depends on the model.
- The appearance of the washer and provided accessories may differ by model.
- To purchase an accessory or lost part, contact a local Samsung service center or your retailer.
- “WE272N*” is a pedestal dedicated to the flex system.

CAUTION

- Do not reuse old water hoses, which may leak or burst, causing flooding and/or property damage.
- Make sure rubber washers are inserted in each coupling of both water hoses.

Tools required for installation (not supplied)



Measuring tape



Philips screwdriver



Level



Adjustable pliers

Installation requirements

Electrical supply and grounding

- AC 120 V / 60 Hz fuse or circuit breaker is required.
- Use an individual branch circuit. Connect only the washer to the circuit.
- To ensure proper grounding, the washer comes with a power cord featuring a three-prong grounding plug for use in a properly installed and grounded outlet. Check with a qualified electrician or service person if you are not sure about the grounding.
- Do not modify the provided plug. If it does not fit the outlet, call a qualified electrician to install a proper outlet.
- To prevent unnecessary risk of fire, electrical shock, or personal injury, all wiring and grounding must be done in accordance with local codes, or in the absence of local codes, in accordance with the National Electrical Code, ANSI/NFPA No. 70-Latest Revision (for the U.S.) or the Canadian Electrical Code CSA C22.1 - Latest Revisions and local codes and ordinances. It is your responsibility to provide adequate electrical service for your washer.

WARNING

- Do NOT use an extension cord.
- Use only the power cord that comes with the washer.
- Do NOT connect the ground wire to plastic plumbing, gas lines, or hot water pipes.
- Improperly connected grounding conductors may cause electric shock.

Installation

Water supply

Water pressure less than 20 psi (137 kPa) may cause the water valve not to close completely. Or, it may take longer to fill the drum, causing the washer to turn off. Taps must be within 4 feet (122 cm) from the rear of the washer so that the provided inlet hoses reach the washer. To reduce the risk of leaks:

- Make sure taps are easily accessible.
- Turn off the taps when the washer is not in use.
- Check for any leaks at the water inlet hose fittings on a regular basis.

CAUTION

Before using the washer for the first time, check all connections at the water valve and taps for any leaks.

Drain

Samsung recommends a standpipe 18 in (46 cm) high. The drain hose must be connected through the hose clip to the standpipe, and the standpipe must fully cover the drain hose.

Flooring

For best performance, the washer must be installed on a solid floor. Wood floors may need to be reinforced to minimize vibration and/or unbalanced loads. Carpeting and soft tile surfaces do not provide good resistance to vibrations and may cause the washer to move slightly during the spin cycle.

CAUTION

Do NOT install the washer on a platform or a poorly supported structure.

Water temperature

Do not install the washer in areas where water may freeze as the washer always retains some water in its water valves, pumps, and/or hoses. Frozen water left in the connection parts may cause damage to belts, the pump, and other components of the washer.

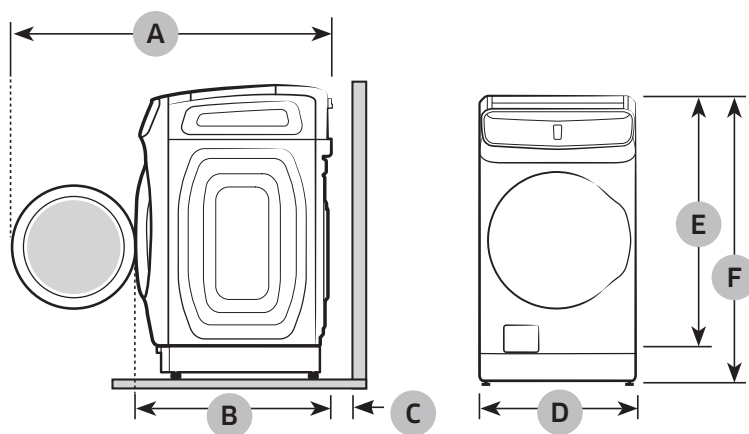
Alcove or closet installation

Minimum clearance for stable operation:

Sides	1 in. (25 mm)	Rear	6 in. (152 mm)
Top	21 in. (533 mm)	Front	2 in. (51 mm)

If both the washer and a dryer are installed in the same location, the front of the alcove or closet must have at least a 72 in² (465 cm²) unobstructed air opening. Your washer alone does not require a specific air opening.

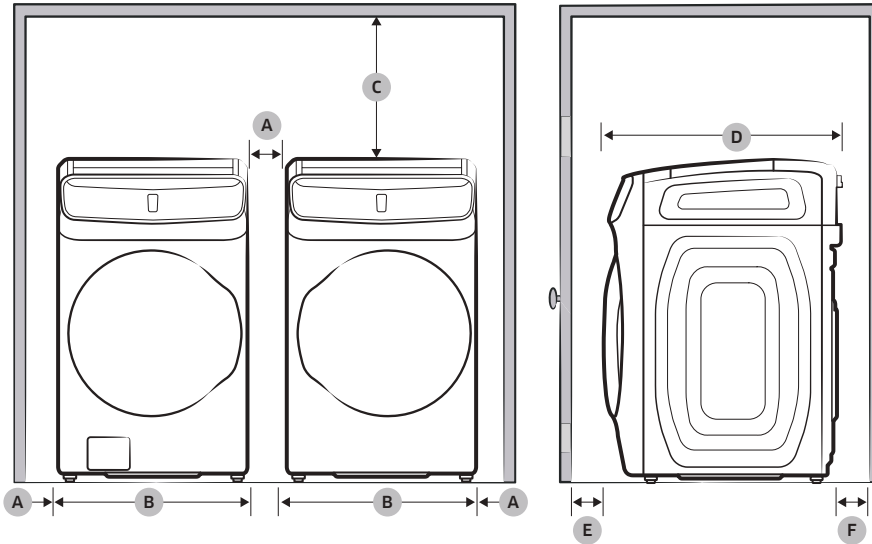
Installation on a pedestal



A	54.2 in. (1377 mm)	D	27 in. (686 mm)
B	34 in. (864 mm)	E	46.9 in. (1192 mm)
C	6 in. (152 mm)	F	52.2 in. (1326 mm)

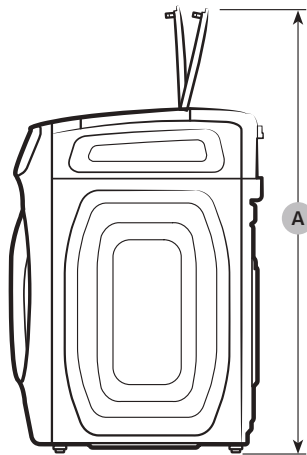
Installation

Side by side installation



A	1 in. (25 mm)	D	34 in. (864 mm)
B	27 in. (686 mm)	E	2 in. (51 mm)
C	35 in. (890 mm)	F	6 in. (152 mm)

*This clearance is not applicable to standalone washers.



A	61 in. (1550 mm)
---	------------------

Step-by-step installation

STEP 1 Select a location

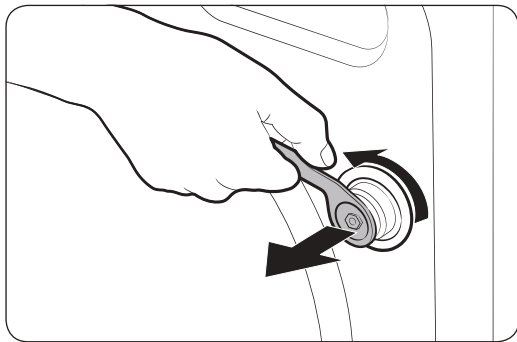
Location requirements:

- A solid, level surface without carpeting or flooring that may obstruct ventilation
- No direct sunlight
- Adequate room for ventilation and wiring
- Ambient temperature always higher than the freezing point (32 °F/0 °C)
- Away from heat sources

STEP 2 Remove the shipping bolts

⚠ WARNING

- Packaging materials can be dangerous to children. Dispose all packaging material (plastic bags, polystyrene, etc.) out of children's reach.
- To ensure proper installation, all 7 shipping bolts must be removed.

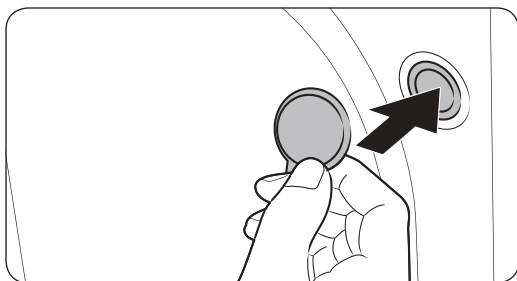


Unpack the product package and remove all shipping bolts (x7).

1. Loosen all shipping bolts on the rear of the machine using the wrench.

📄 NOTE

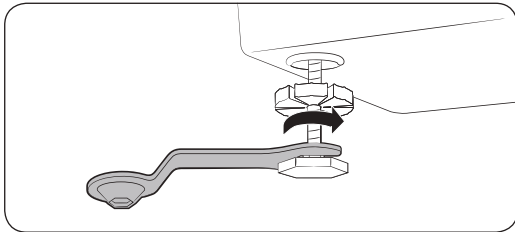
An adjustable wrench or 10 mm open-end wrench is required for removing the shipping bolts.



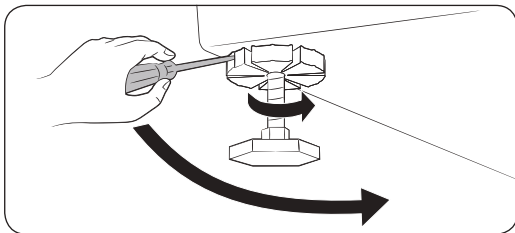
2. Fill the holes with the supplied plastic bolt caps. Keep the shipping bolts for future use.

Installation

STEP 3 Adjust the levelling legs



1. Gently slide the washer into position. Excessive force may damage the levelling legs.
2. Level the washer by manually adjusting the levelling legs.

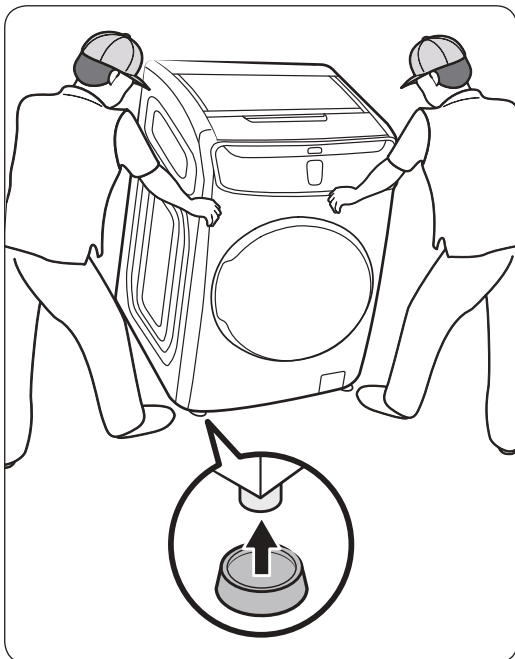


3. When levelling is complete, tighten the nuts using the wrench.

NOTE

An adjustable wrench or 17 mm open-end wrench is required to loosen or tighten the leveling legs.

STEP 4 Put the rubber cups on the legs (Only for soft floor or surface)



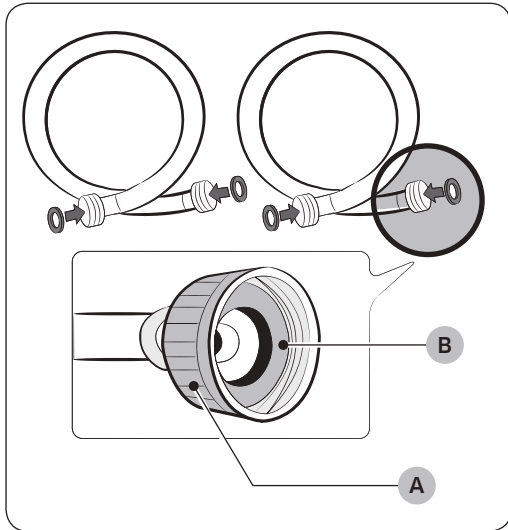
To protect a soft floor or surface, use the provided rubber cups. You don't need to use the rubber cups on a hard floor or on a pedestal.

1. Let two or more persons hold both sides of the washer.
2. While slanting the washer to one side, put the rubber cups under each leg of the washer one by one.

CAUTION

Make sure you have two or more persons insert the rubber cups. Otherwise, the washer may fall, causing physical or property damage.

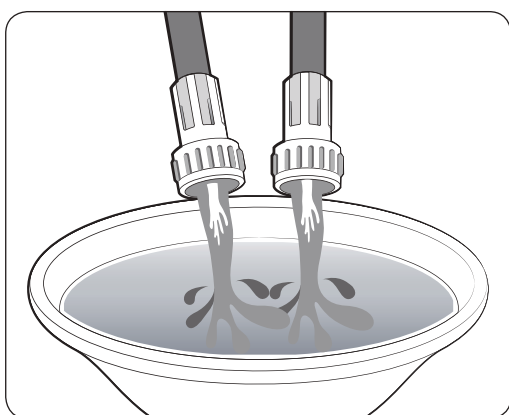
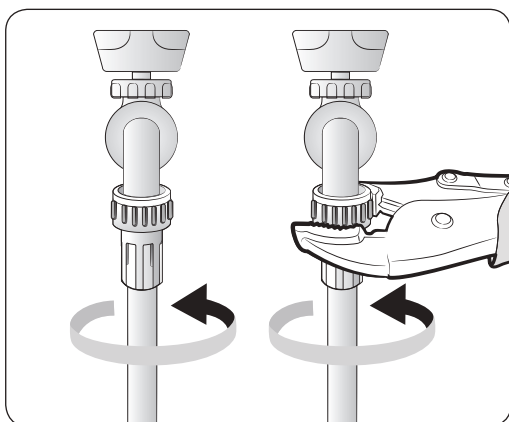
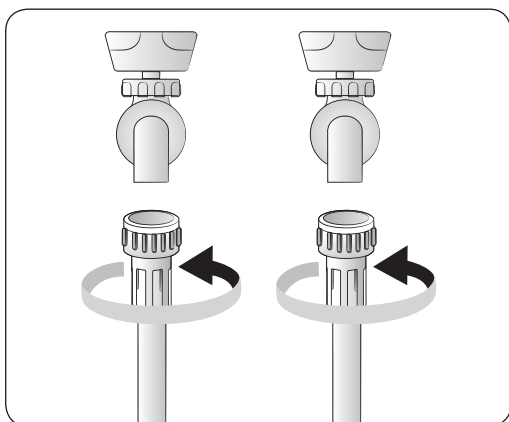
STEP 5 Connect the water hoses



⚠ CAUTION

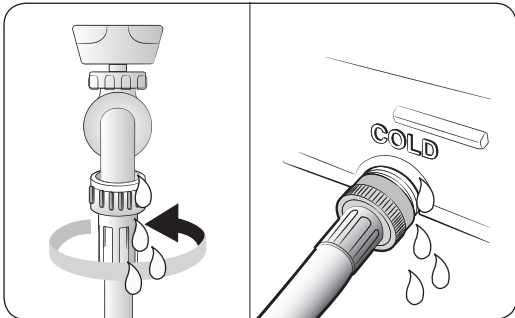
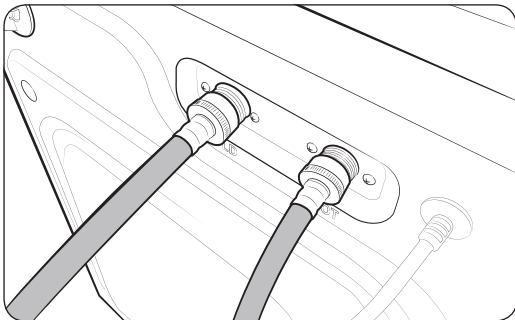
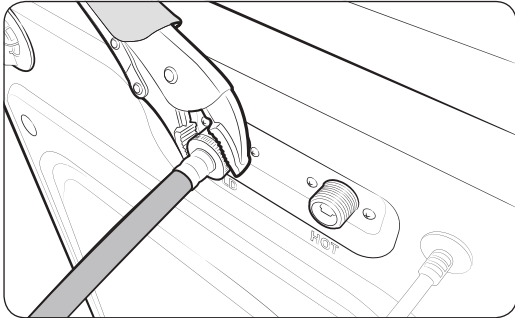
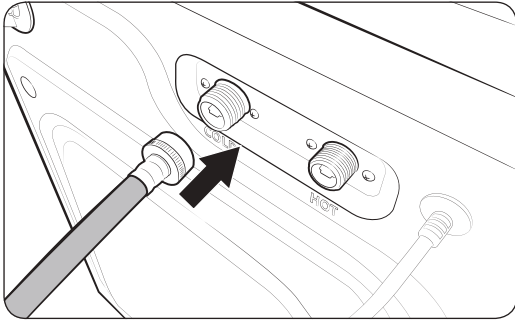
- Make sure you use a new water hose and that there are **rubber gaskets (B)** inside the **couplings (A)** at either end of each water hose. A water hose without the gasket may leak.
- If there is a water leak, stop using the washer and contact a local Samsung service center. A water leak may cause electric shock.
- Do not stretch the water hose by force. If the hose is too short, replace the hose with a longer, high-pressure hose.
- To prevent leaks, make sure both water hoses are not bent or kinked. A water leak may cause electric shock.

Installation



To connect the water hoses to the taps:

1. Connect one end of each water hose to the **Hot** or **Cold** tap.
2. Turn the fittings by hand until they are tight, and then tighten them an additional two-thirds of a turn with a pliers. To prevent damage, do not overtighten the fittings.
3. When done, pull the water hoses up and down to check if they are properly connected.
4. Put the other ends of the hoses into a bucket and open the taps for 10-15 seconds to remove impurities. When done, close the taps.



5. Connect the other ends of the water hoses to the corresponding inlets on the rear of the machine as specified. Make sure the hot water hose is connected to the hot inlet, and the cold water hose to the cold inlet.
6. Repeat step 2 above on the other fittings. Make sure both water hoses are connected properly. See the '4C' information code for troubleshooting.
7. Open both taps, and then check if there is a leak.

⚠ CAUTION

To prevent water hoses from being bent or kinked, make sure there is at least a 6-inch (150 mm) space between the washer and the rear wall.

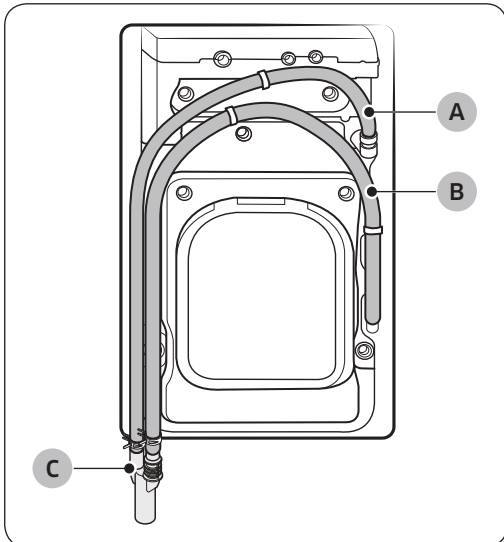
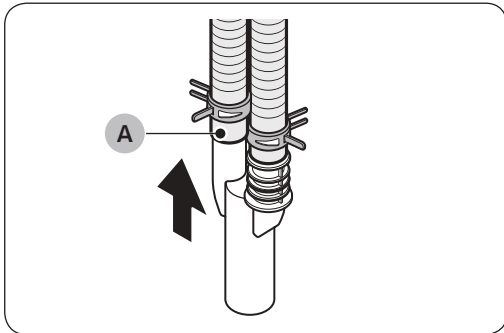
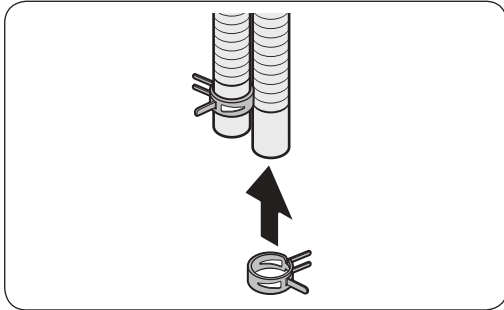
📖 NOTE

If you do not want to use hot water, insert the inlet cap into the hot water inlet. You must purchase the inlet cap.

If the hot water inlet is closed with the inlet cap, you must select Cold for the water temperature. All other water indicators turn off.

Installation

STEP 6 Position the drain system



To position using the pipe connector

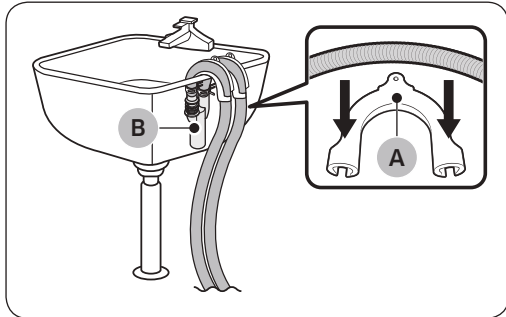
You washer comes with a pipe connector that is designed to join the upper drain hose and the lower drain hose. You can choose to use the connector to combine two drain hoses into a single outlet.

1. Insert the clamp ring on the end of the drain hose, one for each drain hose.
2. Insert the pipe connector into the drain hoses. Make sure the longer side (A) fits into the drain hose running from the lower washer.
3. Fix the position of the clamp rings near the end of each hose.

NOTE

- A : Upper drain hose
- B : Lower drain hose
- C : Pipe Connector

The pipe connector can be positioned in the following ways:

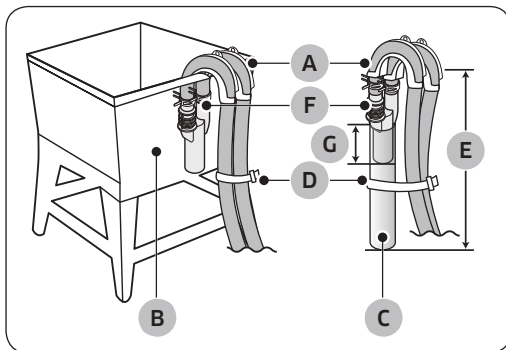


Over the edge of a wash basin

The pipe connector (B) must be placed at a height of between 24 in. (60 cm) and 35 in. (90 cm) from the floor. To keep the spout of the drain hose bent, use the supplied plastic hose guide (A). Secure the guide to the wall using a hook to ensure stable drainage.

NOTE

B : Pipe Connector

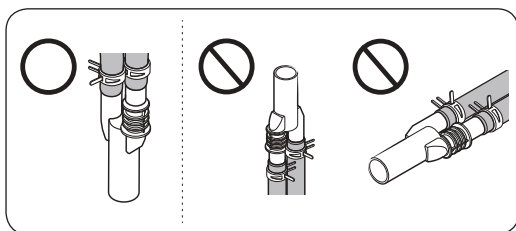


In a standpipe or laundry tub

The laundry tub (B) or standpipe (C) must be no shorter than 18 in. (46 cm) and no higher or longer than 96 inches (245 cm). Make sure the pipe connector and the standpipe are not airtight. The height of the standpipe (E) must be 43 in. (1100 mm) or higher from the floor.

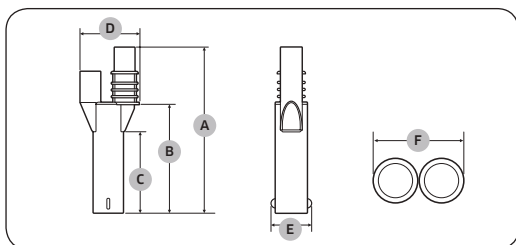
NOTE

A: Hose guide / D: Tie straps / F : Pipe Connector / G: 85 mm



CAUTION

- Do not extend the (Y-shaped) pipe connector using an extension hose.
- Make sure you face the tip of the pipe connector downwards to the drain hole. Positioning the connector tip elsewhere can cause the drained water to flow backward.



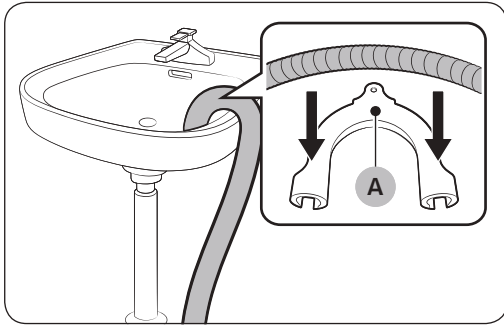
Dimensions of the pipe connector

A	172 mm	D	67 mm
B	112.5 mm	E	44 mm (Ø 35)
C	85 mm	F	60 mm

Installation

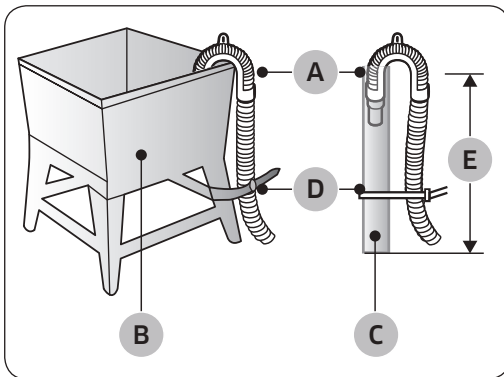
To position without the pipe connector

If you do not use the pipe connector, each drain hose can be positioned in the following ways:



Over the edge of a wash basin

The drain hose must be placed at a height of between 24 in. (60 cm) and 35 in. (90 cm) from the floor. To keep the spout of the drain hose bent, use the supplied plastic **hose guide (A)**. Secure the guide to the wall using a hook to ensure stable drainage.

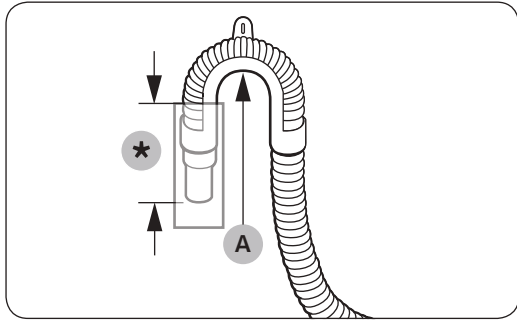


In a standpipe or laundry tub

The **laundry tub (B)** or **standpipe (C)** must be no shorter than 18 in. (46 cm) and no higher or longer than 96 inches (245 cm). Make sure the drain hose and the standpipe are not airtight. The **height of the standpipe (E)** must be 43 in. (1100 mm) or higher from the floor.

NOTE

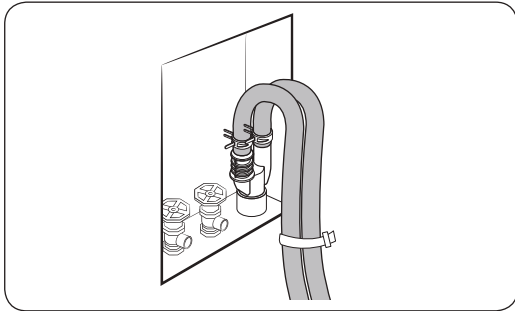
A: Hose guide / D: Tie straps



⚠ CAUTION

- Connect the **hose guide (A)** within 3-5 in. (7.6-12.7 cm)* from the end of the drain hose. If the drain hose is extended beyond the end of the hose guide, mold or microorganisms could spread inside the washer.
- The drain hose can be installed up to 96 in. (245 cm) high, but the draining capability can be reduced at the maximum height. Water remaining in the drain system may cause an odor.
- If the drain hose is installed less than 18 in. (46 cm) high, water can be drained during the process due to a siphon phenomenon. If this happens, a '4C' information code appears on the display.

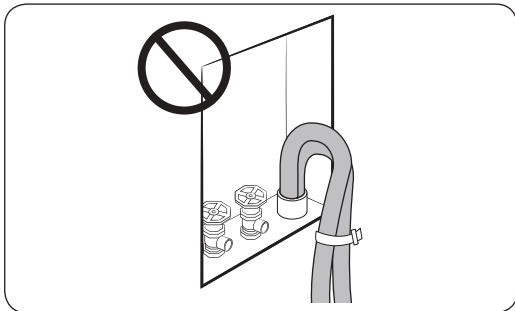
Installation



In a wall standpipe drain system

The drain hose must be placed into a wall standpipe drain system.

After inserting 2 drain hoses into the pipe connector, use tie straps to bind the drain hoses, and then insert the pipe connector into the wall standpipe.



⚠ WARNING

Make sure to use the pipe connector before inserting the drain hoses. Without the pipe connector, the drain hose will not be positioned securely inside the wall standpipe, causing a water leak.

STEP 7 Power on

Plug the power cord into an AC 120 V / 60 Hz approved electrical outlet protected by a fuse or circuit breaker. Then, press **POWER** to turn on the washer.