

WH46DBH100EW

SAMSUNG

Bespoke AI Laundry Hub™ 5.3 cu. ft. Large Capacity Single Unit Washer with Steam Wash and 7.6 cu. ft. Electric Dryer in White



Signature Features

Wi-Fi Connectivity with SmartThings¹

Wi-Fi connected so you can remotely start or stop your cycle, schedule laundry on your time, receive end of cycle alerts, and more right from your smartphone.²

¹ Samsung Smart Washer/Dryer app is available at the App Store. Please check app for compatibility with your smartphone before downloading.

Sensor Dry

Automatically optimizes the time and temperature of your drying cycle to protect your clothes from heat damage, while avoiding excess energy use.

Steam Washing

Powerful steam helps to remove stains, reducing the need for pre-treatment.

ENERGY STAR® Certified

Proven to save energy without sacrificing performance or functionality.

Available Colour



White



SmartThings Enabled



Super Speed Wash

Features

Washer

- Laundry Hub™ with Easy Reach Control Panel
- 5.3 cu. ft. Large Capacity
- Wi-Fi Connectivity with SmartThings*
- Steam Wash
- 20-Year Motor Warranty**
- Energy Star® Certified
- AI Smart Dial
- Self Clean+
- 1200 RPM Maximum Spin Speed
- DIT Motor

Dryer

- Vent Sensor
- Sensor Dry
- Drum Light
- Lint Filter Alert
- Wi-Fi Connectivity with SmartThings*
- 3-Way Venting (Back, Left, Right)
- Energy Star® Certified

Convenience

- Child Lock
- Filter Check Indicator
- Dispenser Trays: Main Wash, Bleach, Softener



ENERGY STAR® rated:
Washer:
94 kWh/yr
Dryer:
608 kWh/yr

(1) Available on Android and iOS devices. A Wi-Fi connection and a Samsung account are required.

(2) A Wi-Fi connection is required.

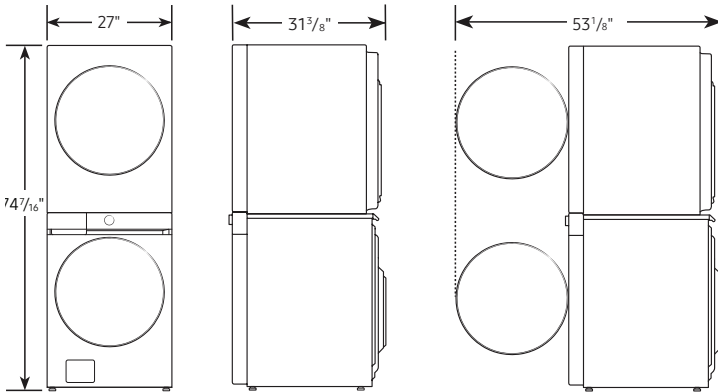
(3) Bixby is Samsung's brand of artificial intelligence (AI) / Internet of Things (IoT) voice assistant. A Samsung account is required.

WH46DBH100EW

SAMSUNG

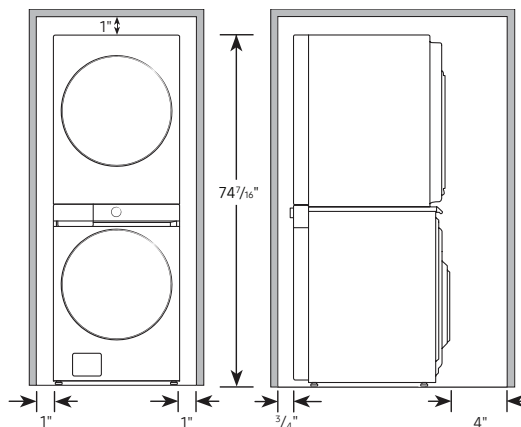
Bespoke AI Laundry Hub™ 5.3 cu. ft. Large Capacity Single Unit Washer with Steam Wash and 7.6 cu. ft. Electric Dryer in White

Dimensions



Alcove or Closet Installation

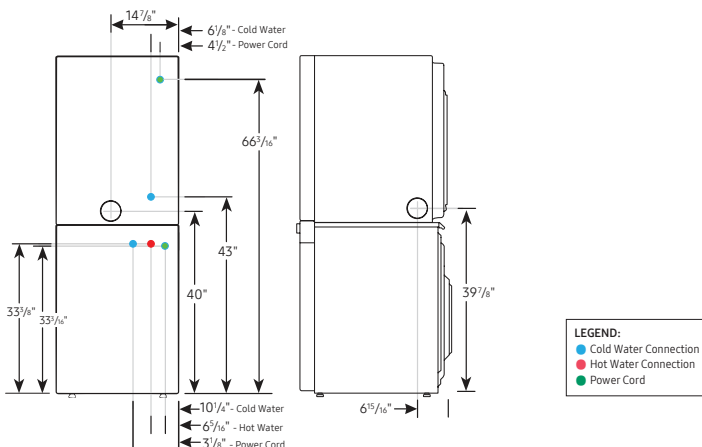
The front of the alcove or closet must have two unobstructed air openings for a combined minimum total area of 72 in.



Connection Dimensions*

Back and side views

*Measurements are approximations for frame only.



Washer Cycles/Settings

23 Total Washing Cycles:

Normal, Heavy Duty, Bedding, Perm Press, Delicates, Activewear, Wool, Towels, Eco Cold, Rinse + Spin, Self Clean+, Small Load, Colours, Spin Only, Outdoor, Denim, Steam Sanitize, Steam Allergen, Steam Normal, Power Steam, Steam Whites, Steam Bulky, Power Rinse

15 Wash Options:

Presoak, Extra Rinse, My Cycles, Delay End, Smart Control, Super Speed, Drum Light, Child Lock, AI Pattern, Self Diagnosis, Volume, Calibration, Wi-Fi, Language, Factory Reset

5 Temperature Levels:

Extra Hot, Hot, Warm, Cool, Tap Cold

5 Spin Levels:

Extra High, High, Medium, Low, Extra Low

5 Soil Levels:

Extra Heavy, Heavy, Normal, Light, Extra Light

Dryer Cycles/Settings

16 Preset Drying Cycles:

Eco Normal, Normal, Heavy Duty, Towels, Perm Press, Activewear, Bedding, Delicates, Wool, Sanitize, Shirts, Denim, Time Dry, Air Fluff, Small Load, Rack Dry

13 Options:

Damp Alert, Wrinkle Prevent, My Cycles, Smart Control, Eco Dry, Drum Light, Child Lock, Volume, AI Pattern, Wi-Fi, Language, Vent Blockage Test, Factory Reset

5 Temperature Settings:

High, Medium, Medium Low, Low, Extra Low

5 Drying Levels:

Very Dry, More Dry, Normal Dry, Less Dry, Damp Dry

Warranty

Washer: One (1) Year Parts and Labour

Twenty (20) Years; Washing DIT (Digital Inverter Motor) Motor Part (Part Only)

Dryer: One (1) Year Parts and Labour

Product Dimensions & Weight (WxHxD)

Dimensions: 27" x 74 7/16" x 31 3/8"

Net Weight: 319.7 lb (145 kg)

Shipping Dimensions & Weight (WxHxD)

Dimensions: 29 3/8" x 81 15/16" x 34 1/8"

Shipping Weight: 330.7 lb (150 kg)

Washer/Dryer

White with Electric Dryer

Model

WH46DBH100EW

UPC

887276814506

Optional Vent Kit

DV-2A

887276146416

Ratings		Electrical Requirements	
Washer	Dryer	Washer	Dryer
CEE Tier 3	608 kWh/yr	120 V / 60 Hz	240 V / 60 Hz
IMEF = 3.10			15 Amps
IWF = 2.9		95 kWh/yr	