

# WF45R6300AV

SAMSUNG

## Samsung Smart Front Load Washer with Super Speed

4.5 cu. ft. Capacity DOE



### Signature Features

#### Super Speed

- Uses advanced cleaning technologies to wash a full load of laundry in just 30 minutes<sup>1</sup>, without sacrificing cleaning performance.

#### Bixby Enabled


- AI-powered laundry care helps you choose the best cycle option and notifies you on your smartphone<sup>2</sup> when the cycle is complete.

#### Steam

- Powerful stain removal without pretreatment, while still gentle on your clothing.

### Available Colors




Bixby Enabled 



Steam

### Features

- Bixby Enabled 
- Super Speed
- Steam
- VRT Plus™ Technology
- Swirl+ Drum Design
- Self Clean+
- Closet-Depth Fit<sup>3</sup>
- Stackability
- Internal Water Heater
- 1200 RPM Maximum Spin Speed
- Direct Drive Motor
- 12 Preset Washing Cycles
- 9 Additional Washing Options

- 5 Temperature Levels
- Crystal Blue Door
- LED Display: Ice Blue
- 24-Hour Delay End

### Convenience

- Child Lock
- Delay End
- Dispenser Trays: Main Wash, Softener, Bleach



ADA Compliant<sup>4</sup>

### Rating



ENERGY STAR®-rated  
CEE Tier 2  
IMEF = 2.92  
IWF = 2.9

<sup>1</sup>Based on using Super Speed on a normal cycle with an 8lb load.

<sup>2</sup>The Samsung SmartThings application is required and is available on Android and iOS devices. A Wi-Fi connection is required. User will be solely responsible for any consequence(s) that may result, including but not limited to any damage or harm caused by incorrect information provided by the user. The recommended washing cycle is only based on time and may not be appropriate based on the type of fabrics or stain level of the articles being washed.

<sup>3</sup>Designed to fit a 40" installation depth.

<sup>4</sup>ADA Compliant when using a Samsung 27" wide riser (WE272NV or WE272NW).

# WF45R6300AV

**SAMSUNG**

## Samsung Smart Front Load Washer with Super Speed

4.5 cu. ft. Capacity DOE

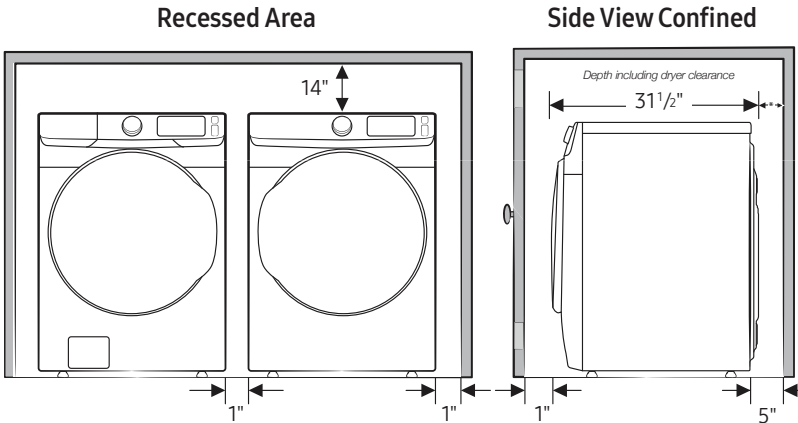
### Installation Specifications

If the washer and dryer are installed together or the dryer alone, the closet front must have two unobstructed air openings for a combined minimum total area of 72-inch<sup>2</sup> (see stacked build below). Your washer alone does not require a specific air opening.

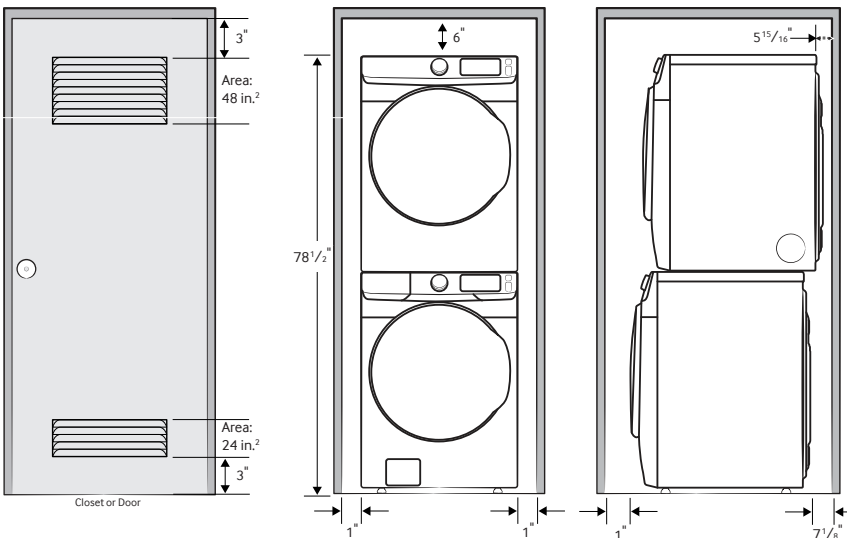
\*Required spacing (External exhaust elbow may require additional space.)

#### 1. Alcove or closet installation

Minimum Clearance for Closet and Alcove Installations:

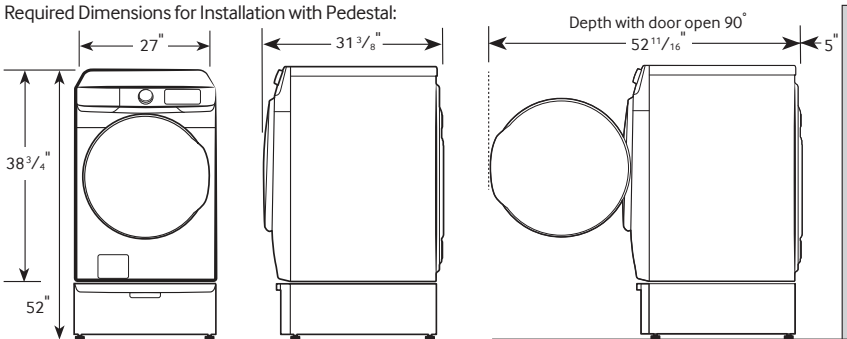


#### 2. With stacked washer and dryer



### Dimensions

Required Dimensions for Installation with Pedestal:



#### 12 Preset Washing Cycles:

Normal, Heavy Duty, Bedding, Quick Wash, Permanent Press, Delicates, Whites, Sanitize, Activewear, Rinse and Spin, Self Clean+, Downloaded

#### 9 Additional Washing Options:

Presoak, Steam, Delay End, Smart Control, Super Speed, Alarm Off, Child Lock, Smart Care, Spin Only

#### 5 Temperature Levels:

Hot, Warmer, Warm, Cool, Cold

#### 5 Spin Speeds:

High, Medium High, Medium, Low, No Spin

#### 5 Soil Levels:

Heavy, Medium Heavy, Normal, Medium Low, Light

#### Dispenser Trays:

Main Wash, Softener, Bleach

#### Warranty

One (1) Year Parts and Labor

Three (3) Years Stainless Steel Drum (Part Only)

Ten (10) Years Direct Drive Motor (Part Only)

#### Product Dimensions & Weight (WxHxD)

Dimensions: 27" x 38<sup>3</sup>/<sub>4</sub>" x 31<sup>3</sup>/<sub>8</sub>"

Weight: 201 lbs

#### Shipping Dimensions & Weight (WxHxD)

Dimensions: 29<sup>3</sup>/<sub>8</sub>" x 42<sup>3</sup>/<sub>8</sub>" x 34<sup>1</sup>/<sub>8</sub>"

Weight: 205 lbs

#### Color

Fingerprint Resistant  
Black Stainless Steel

#### Model #

WF45R6300AV

#### UPC Code

887276299488

Champagne  
White

WF45R6300AC  
WF45R6300AW

887276331461  
887276299495

#### Matching Dryer (Electric/Gas)

Fingerprint Resistant  
Black Stainless Steel

DVE45R6300V

887276300467

Champagne  
White

DVE45R6300C  
DVE45R6300W

887276331638  
887276300474

Fingerprint Resistant  
Black Stainless Steel

DVG45R6300V

887276300504

Champagne  
White

DVG45R6300C  
DVG45R6300W

887276331645  
887276300511

#### Pedestal

Fingerprint Resistant  
Black Stainless Steel

WE402NV

887276310145

Champagne  
White

WE402NC  
WE402NW

887276310121  
887276310152

#### Accessories

Stacking Kit

SKK-7A

887276146423

Actual color may vary. Design, specifications, and color availability are subject to change without notice. Non-metric weights and measurements are approximate.

©2019 Samsung Electronics America, Inc., 85 Challenger Road, Ridgefield Park, NJ 07660. Tel: 800-SAMSUNG. samsung.com. Samsung is a registered trademark of Samsung Electronics Co., Ltd.