

WF45K6500AV

Samsung Front-Load Washer

AddWash

 Black Stainless Steel



AddWash



Super Speed

5.2 cu. ft. Capacity

Features

- AddWash
- Super Speed
- Steam Wash
- VRT Plus™
- Self Clean+
- Smart Home Ready
- Diamond Drum Design
- Direct Drive Motor
- 1300 RPM Maximum Spin Speed
- 14 Preset Wash Cycles
- 12 Options

Convenience

- Child Lock
- Door Lock
- Dispenser Trays: Prewash, Main Wash, Softener, Bleach

Signature Features

Addwash

- Conveniently add in forgotten laundry after the cycle has begun with the AddWash door.
- Save time and energy by not doing an additional load of laundry.

Super Speed

- Breakthrough technology provides a 40% faster and thorough wash cycle.
- Wash a full load in only 36 minutes.¹

¹Normal 1-hour wash can be completed in as little as 36 minutes as compared to WF511 washer without Super Speed.
Based on DOE standard's average of 7.5 loads per week.

5.2 cu. ft. Capacity

- Large capacity 27" washer lets you wash up to 3 laundry baskets in a single load.²
- Fit more laundry – so you can do fewer loads.

²Based on an 8-lb. load of laundry.



ENERGY STAR®-rated
CEE Tier 2
IMEF=2.8
IWF=3.0
100 kWh/yr



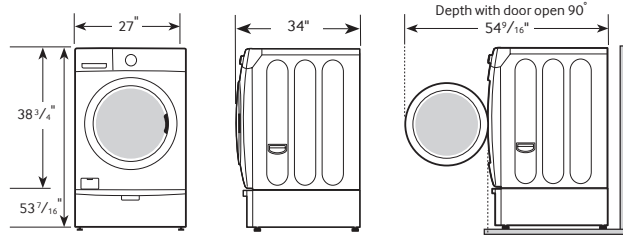
SAMSUNG

WF45K6500AV

Samsung Front-Load Washer

Dimensions

REQUIRED DIMENSIONS FOR INSTALLATION WITH PEDESTAL:

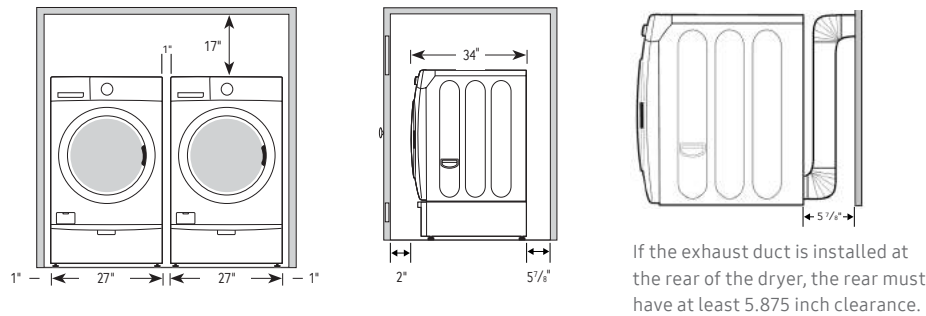


Installation Specifications

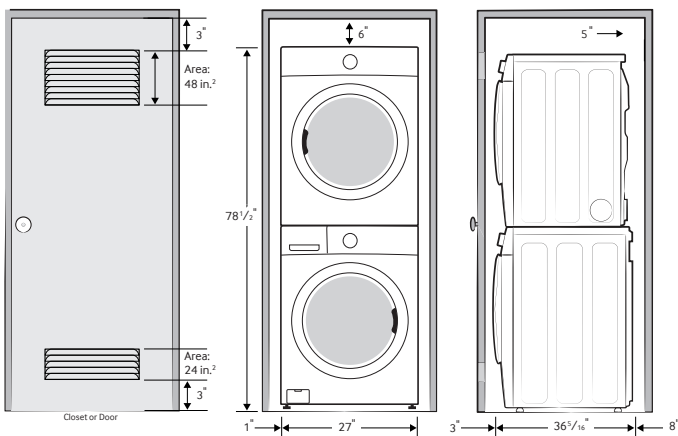
If the washer and dryer are installed together or the dryer alone, the closet front must have two unobstructed air openings for a combined minimum total area of 72 in.² (see stacked build below). Your washer alone does not require a specific air opening.

1. Alcove or closet installation

MINIMUM CLEARANCES FOR CLOSET AND ALCOVE INSTALLATIONS:



2. With stacked washer and dryer



5.2 cu. ft. Capacity IEC

14 Preset Wash Cycles:

- Normal, Heavy Duty, Permanent Press, Sanitize, Allergen, Towels, Bedding, Deep Steam, Whites, Active Wear, Delicates, Wool, Quick Wash, Rinse and Spin

12 Options:

- Super Speed, Steam, Self Clean+, Delay End, My Cycle, Prewash, Extra Rinse, Extra Spin, Spin Only, Sound, Child Lock, Smart Care

5 Temperature Settings:

- Extra Hot, Hot, Warm, Eco Warm, Cold

5 Spin Settings:

- Extra High, High, Medium, Low, No Spin

5 Soil Settings:

- Heavy, Heavy Medium, Normal, Low Medium, Light

Dispenser Trays:

- Prewash, Main Wash, Softener, Bleach

Warranty

One (1) Year Parts and Labour
Ten (10) Years Direct Drive Motor

Optional Stacking Kit

Sold separately SKK-7A
887276146423

Optional Matching Pedestal

Sold separately WE357A0V

NET DIMENSIONS (W x H x D)		WEIGHT	
Imperial (inches)	Metric (mm)	(lbs)	(kg)
27 * 38.75 * 34	685.8 * 984.25 * 863.6	227	102.96
SHIPPING DIMENSIONS (W x H x D)		WEIGHT	
Imperial (inches)	Metric (mm)	(lbs)	(kg)
29.37 * 41.75 * 35.25	745.99 * 1060.45 * 895.35	233	105.68

PRODUCT	COLOUR	MODEL #	UPC CODE
Electric Washer	Black Stainless Steel	WF45K6500AV	887276138121
Matching Dryer	Black Stainless Steel	DV45K6500EV	887276138381

PLEASE VISIT SAMSUNG.COM FOR OUR LATEST UPDATES.

Actual colour may vary. Design, specifications, and colour availability are subject to change without notice. Non-metric weights and measurements are approximate.

© 2016 Samsung Electronics Canada Inc. All rights reserved. Samsung is a registered trademark of Samsung Electronics Co., Ltd., used with permission.

SAMSUNG