

# WF45B6300AP

SAMSUNG

## Samsung Smart Front Load Washer with Super Speed 5.2 cu. ft. Capacity



### Signature Features

#### SuperSpeed

Uses advanced cleaning technologies to wash a full load of laundry in just 30 minutes<sup>1</sup>, without sacrificing cleaning performance.

#### SmartThings Enabled

Wi-Fi connected so you can remotely start or stop your cycle, schedule laundry on your time, receive end of cycle alerts, and more right from your smartphone.<sup>2</sup>

#### Steam

Powerful stain removal without pretreatment, while still gentle on your clothing.

### Available Colours



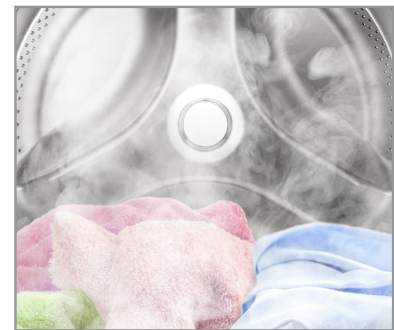
Platinum (shown)



Champagne



SuperSpeed



Steam

### Features

- SmartThings Enabled
- Super Speed
- Steam
- VRT Plus™ Technology
- Swirl+ Drum Design
- Self Clean+
- Closet-Depth Fit<sup>3</sup>
- Stackability
- Internal Water Heater
- 1200 RPM Maximum Spin Speed
- Direct Drive Motor
- 12 Preset Washing Cycles

- 9 Additional Washing Options
- 5 Temperature Levels
- Tempered Glass Door
- LED Display: Ice Blue
- 24-Hour Delay End

### Convenience

- Child Lock
- Door Lock
- Dispenser Trays: Main Wash, Softener, Bleach

### Rating



- ENERGY STAR® - Rated
- CEE Tier 3
- IMEF = 3.1
- IWF = 2.9



#1 Highest in Customer Satisfaction with Top-Load Clothes Washers in the U.S., 3 Years in a Row.<sup>4</sup>

<sup>1</sup> Based on using SuperSpeed on a normal cycle with an 8lb load.

<sup>2</sup> The Samsung SmartThings application is required and is available on Android and iOS devices. A Wi-Fi connection is required. User will be solely responsible for any consequence(s) that may result, including but not limited to any damage or harm caused by incorrect information provided by the user.

<sup>3</sup> Designed to fit a 40" installation depth.

<sup>4</sup> For J.D. Power 2020 award information, visit [jdpower.com/awards](http://jdpower.com/awards)

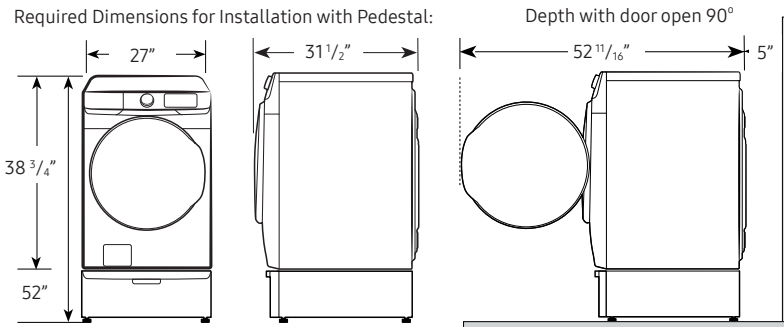
# WF45B6300AP

**SAMSUNG**

## Samsung Smart Front Load Washer with Super Speed 5.2 cu. ft. Capacity

### Dimensions

Required Dimensions for Installation with Pedestal:



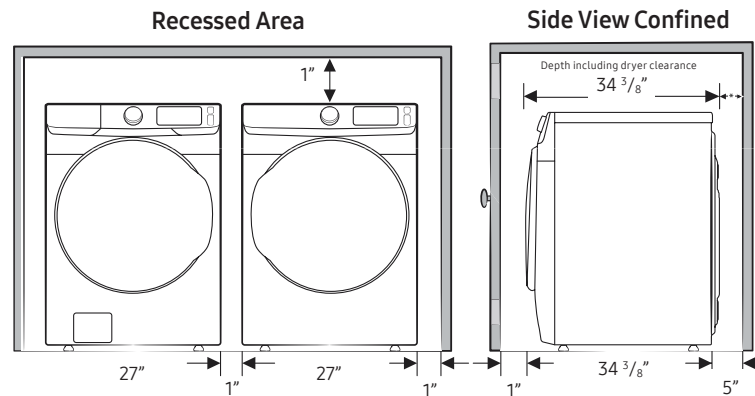
### Installation Specifications

If the washer and dryer are installed together or the dryer alone, the closet front must have two unobstructed air openings for a combined minimum total area of 72 in<sup>2</sup> (see stacked build below). Your washer alone does not require a specific air opening.

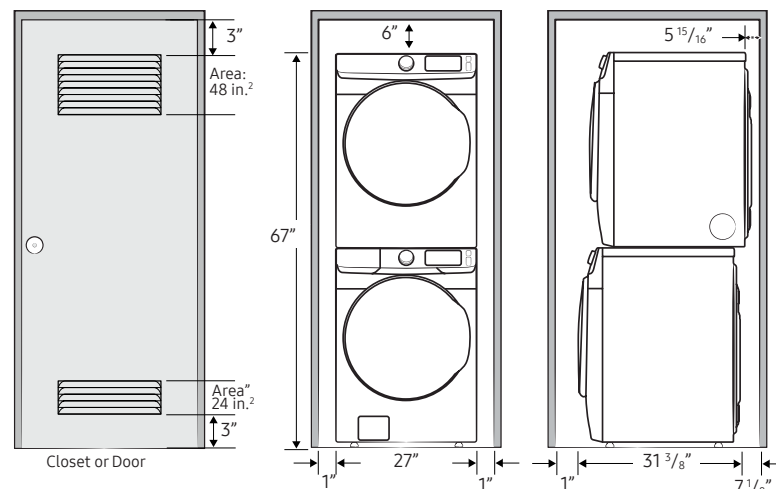
\* Required spacing (External exhaust elbow may require additional space.)

### 1. Alcove or closet installation

MINIMUM CLEARANCES FOR CLOSET AND ALCOVE INSTALLATIONS:



### 2. With stacked washer and dryer



### 5.2 cu. ft. Capacity

#### 12 Preset Washing Cycles:

Normal, Heavy Duty, Bedding, Quick Wash, Delicates, Towels, Eco Cold, Rinse/Spin, Self Clean+, Steam Sanitize, Steam Normal, Steam White, Downloaded

#### 11 Downloadable Cycles:

Permanent Press, ActiveWare, Wool, Eco Cold, Colours, Outdoor, Denim, Steam Allergen, Power Steam, Steam Bulky, Power Rinse

#### 9 Additional Washing Options:

Presoak, Steam, Delay End, Smart Control, Super Speed, Alarm Off, Child Lock, Smart Care, Spin Only

#### 5 Temperature Levels:

Hot, Warmer, Warm, Cool, Cold

#### 5 Spin Speeds:

High, Medium High, Medium, Low, No Spin

#### 5 Soil Levels:

Heavy, Medium Heavy, Normal, Medium Low, Light

#### Dispenser Trays:

Main Wash, Softener, Bleach

#### Warranty

One (1) Year Parts and Labour  
Ten (10) Years Direct Drive Motor (Part Only)

#### Product Dimensions & Weight (WxHxD)

Dimensions: 27" x 38 3/4" x 31 3/8"

Weight: 201 lbs. (91.2 kg)

#### Shipping Dimensions & Weight (WxHxD)

Dimensions: 29 3/8" x 42 3/8" x 34 1/8"

Weight: 205 lbs. (93 kg)

#### Electric Washer

Model #	UPC
WF45B6300AP	887276627410
WF45B6300AC	887276627403

#### Matching Electric Dryer

Model #	UPC
DVE45B6305P	887276652153
DVE45B6305AC	887276652146

#### Gas Dryer

Model #	UPC
DVG45B6305P	887276652146

#### Matching Pedestal

Model #	UPC
WE402NP	887276310145
WE402NC	887276310121

#### Accessories

Stacking Kit	SKK-8K	887276344034
--------------	--------	--------------