

# WA54CG7550AV

SAMSUNG

## Samsung 6.2 cu. ft. Smart Top Load Washer With Pet Care Solution and Auto Dispenser



Pet Care Solution



Auto Dispenser

### Available Colour



Black Stainless  
WA54CG7550AV

### Features

- Pet Care Solution
- 6.2 cu. ft. Extra-Large Capacity
- Wi-Fi Connectivity with SmartThings\*
- Super Speed Wash
- Active WaterJet
- 20-Year Motor Warranty
- Deep Fill
- Vibration Reduction Technology+
- Swirl+ Tub Interior
- Self Clean
- Soft-Close Lid
- ENERGY STAR® Certified
- Smart Care
- Accessibility (AUI, Braille)
- 750 RPM Maximum Spin Speed
- Digital Inverter Motor
- 17 Total Washing Cycles
- 10 Additional Washing Options

### Convenience

- Child Lock
- Dispenser Trays:  
Main Wash, Softener, Bleach

### Ratings



ENERGY STAR® Rated:  
120 kWh/yr

### Electrical Requirements

- 120 V / 60 Hz  
15 Amps

### Specifications

#### 12 Preset Washing Cycles:

Normal, Bedding/Waterproof, Heavy Duty, Colours, Whites, Delicates, Quick Wash, Self Clean, Rinse + Spin, Deep Wash, Pet Care Wash, Downloaded.

#### 5 Downloadable Washing Cycles:

Permanent Press, Wool, Eco Cold, Denim, Power Rinse.

#### 10 Additional Washing Options:

Delay End, Presoak, Sound Off, Child Lock, Fabric Softener, Deep Fill, Super Speed, Smart Care, Smart Control, Spin Only.

#### 5 Temperature Settings:

Hot, Warmer, Warm, Cool, Cold.

#### 5 Spin Settings:

High, Medium High, Medium, Low, No Spin

#### 5 Soil Settings:

Heavy, Heavy Medium, Normal, Low Medium, Light.

#### Warranty

One (1) Year Parts and Labour.  
Twenty (20) Years; Washing DIT (Digital Inverter Motor) Motor Part (Part Only)

#### Product Dimensions & Weight (WxHxD)

Dimensions: 27<sup>9</sup>/<sub>16</sub>" x 45<sup>13</sup>/<sub>16</sub>" x 29<sup>7</sup>/<sub>16</sub>"  
Weight: 134.5 lb (61 kg)

#### Shipping Dimensions & Weight (WxHxD)

Dimensions: 30<sup>1</sup>/<sub>8</sub>" x 47<sup>11</sup>/<sub>16</sub>" x 31<sup>1</sup>/<sub>4</sub>"  
Weight: 143.3 lb (65 kg)

#### Washer

Black Stainless

#### Model #

WA54CG7550AV

#### UPC Code

887276760384

#### Matching Electric Dryer

Black Stainless

DVE54CG7550V

887276764788

1\* Requires wireless network, Samsung account and Samsung SmartThings App. The Samsung SmartThings App supports Android OS 4.0 (ICS) or later which is optimized for Samsung smartphones (Galaxy S and Galaxy Note series). This app also supports iOS 7 or later for iPhone models. Samsung SmartThings App available in App Store and Play Store. Only monitoring enabled on Gas Dryers for safety reasons.

\*\* Requires Samsung Smart Washer/Dryer App. The Samsung Smart Washer/Dryer App supports Android OS 2.3.6 or later and iOS 3 or later for iPhone models. Samsung Smart Washer/Dryer App available in App Store and Play Store.

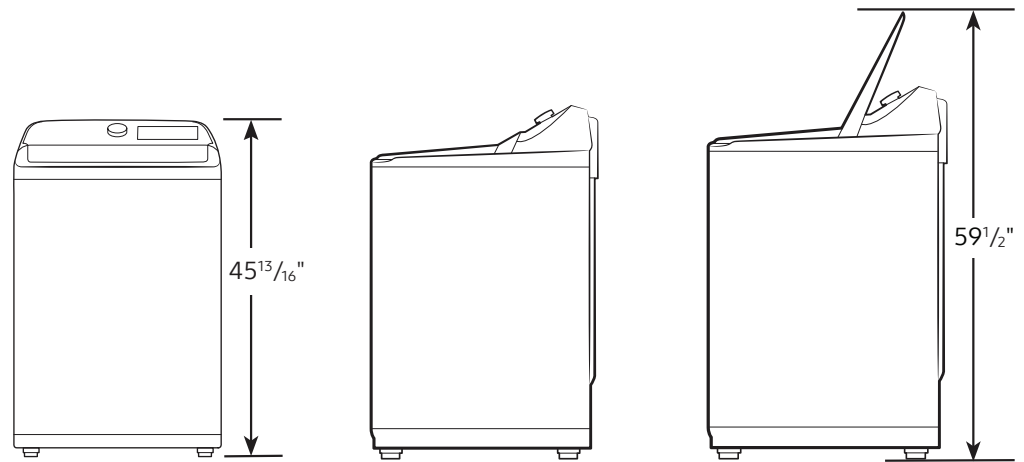
# WA54CG7550AV

SAMSUNG

## Samsung 6.2 cu. ft. Smart Top Load Washer With Pet Care Solution and Auto Dispenser

### Dimensions

Required dimensions for installation:

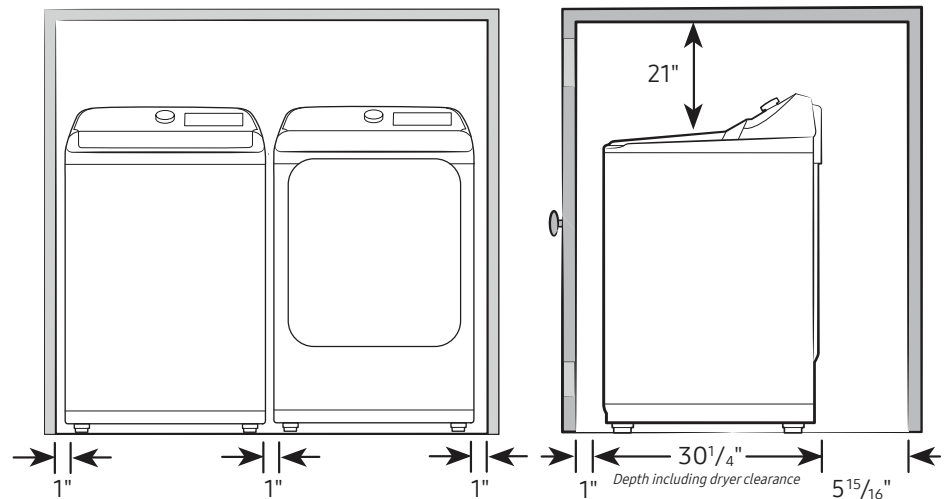


### Installation Specifications – Side-by-Side

If the washer and dryer are installed together or the dryer alone, the closet front must have two unobstructed air openings for a combined minimum total area of 72-inch<sup>2</sup>. Your washer alone does not require a specific air opening.

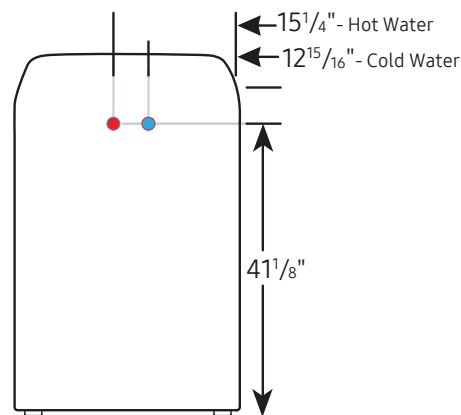
#### Alcove or closet installation

Minimum clearance for closet and alcove installations:



### Connection Dimensions

Back and Side View of Electric Dryer



#### LEGEND:

- Hot Water Connection
- Cold Water Connection

Actual colour may vary. Design, specifications and colour availability are subject to change without notice. Non-metric weights and measurements are approximate.

© 2023 Samsung Electronics Canada Inc. All rights reserved. Samsung is a registered trademark of Samsung Electronics Co., Ltd., used with permission.