

WA50A5400AV

SAMSUNG

Top Load Washer with SuperSpeed and EZ Access Tub
5.8 cu. ft. Capacity IEC



Signature Features

EZ Access Tub

Our new EZ Access tub is shallower without sacrificing capacity, so you can easily reach the bottom of the washer tub to remove clothes after the cycle finishes.

Active Water Jet

A built-in water faucet lets you easily pretreat soiled or heavily stained clothes with a press of a button. Scrub items right inside your washer, no laundry room sink needed.

SuperSpeed

Cut down on laundry time without sacrificing cleaning performance. SuperSpeed uses advanced cleaning technologies to wash a full load of laundry in just 36 minutes¹, without sacrificing cleaning performance.

Available Colour



Black Stainless Steel



Water Jet



EZ Access Tub

Features

- Large Capacity
- Water Jet
- SuperSpeed
- Deep Fill
- SmartThings Wi-Fi Connectivity²
- SmartCare
- EZ Drawer Dispenser
- Swirl Drum Design

- Self Clean
- VRT PLUS™ Technology
- Soft Close Lid
- LED Display

Convenience

- Child Lock
- Delay End

- Wi-Fi Connectivity and Voice Control



Rating



- ENERGY STAR® - Rated
- IWF = 4.3
- Energy Consumption (annual) = 120 kWh/yr



#1 Highest in Customer Satisfaction with Top-Load Clothes Washers in the U.S., 2 Years in a Row.³

¹ Based on using Super Speed on a Normal cycle with an 8lb load.

² The Samsung Smart Washer/Dryer App is required and is available on Android and iOS devices. The Samsung Smart Washer/Dryer app supports Android OS 2.3.6 or later and iOS 3 or later for iPhone models. A Wi-Fi connection is required.

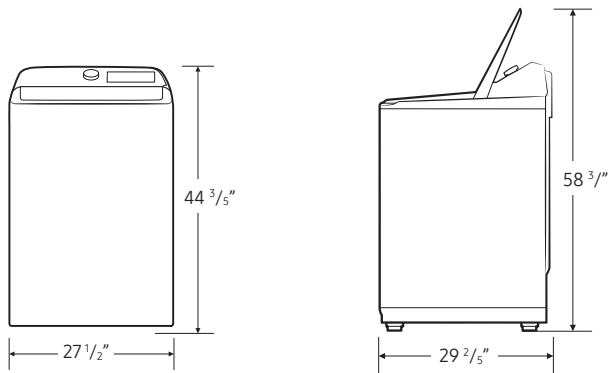
³ For J.D. Power 2020 award information, visit jdpower.com/awards
Service callouts will occasionally be required and may incur extra repair costs.

WA50A5400AV

SAMSUNG

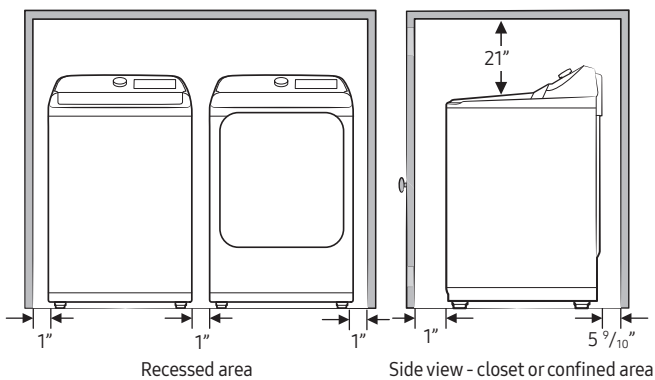
Top Load Washer with SuperSpeed and EZ Access Tub 5.8 cu. ft. Capacity IEC

Dimensions



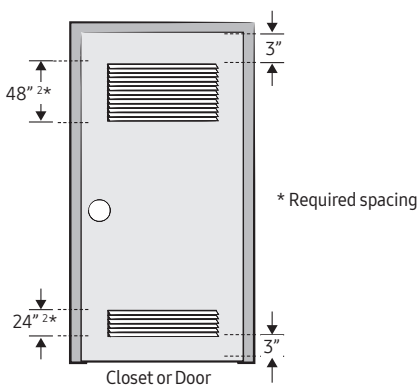
Alcove or closet installation

MINIMUM CLEARANCES FOR CLOSET AND ALCOVE INSTALLATIONS:



Installation Specifications

If the washer and dryer are installed together, the closet front must have at least a 72 in² (465 cm²) unobstructed air opening. Your washer alone does not require a specific air opening.



5.8 cu. ft. Capacity

12 Preset Washing Cycles:

Normal, Bedding/WaterProof, Heavy Duty, Perm Press, Colours/Dark, Brilliant Whites, Active Wear, Delicates (Hand Wash), Quick Wash, Self Clean, Rinse + Spin, Spin Only

9 Additional Wash Options:

Delay End, Pre Soak, Sound On/Off (Long Key), Child Lock (Dual Key), Fabric Softener, Deep Fill, SuperSpeed, Smart Care (Long Key), Smart Control

5 Temperature Levels:

Extra Hot, Hot, Warm, Cool, Cold

5 Spin Levels:

Extra High, High, Medium, Low, No Spin

5 Soil Levels:

Extra Heavy, Heavy, Normal, Light, Extra Light

3 Detergent Dispenser Trays:

Main, Softener, Bleach (Manual)

Warranty

One (1) Year Parts and Labour

Product Dimensions & Weight (WxHxD)

Dimensions: 27 1/2" x 44 3/5" x 29 2/5"

Weight: 132.3 lbs (60 Kg)

Shipping Dimensions & Weight (WxHxD)

Dimensions: 30 1/10" x 46 9/10" x 31 1/5"

Weight: 141.1 lbs (64 Kg)

Electric Washer Model # UPC Code

Black Stainless WA50A5400AV

Matching Dryer Model # UPC Code

Black Stainless DVE50A5405V

Other Specifications

Type		Top loading washer	
Water pressure (psi (kPa))		20-116 (137-800)	
Spin revolution		750 rpm	
NET weight (lb (kg))		132 (60)	
Power consumption	Washing	120 V	700 W