

DVE52B7650V

SAMSUNG

Electric Dryer with Vent Sensor and Stainless Steel Drum
7.4 cu. ft. Capacity DOE



Signature Features

Steam Sanitize+

Steam Sanitize+ helps remove 99.9% of bacteria, over 95% of pollen, and 100% of dust mites.¹

Wi-Fi Connectivity

Control your washer/dryer with voice commands from Bixby, Alexa and Google Assistant. Wi-Fi Connectivity, allows you to remotely start or stop your cycle, schedule laundry on your time, receive end of cycle alerts, and more right from your smartphone with the SmartThings app.²

Vent Sensor

Indicates when the dryer detects a blockage in the exhaust vent.

Available Colour



Black Stainless Steel



Steam Sanitize+



Wi-Fi Connectivity

Features

- Steam
- SmartThings Wi-Fi Connectivity
- Smart Care
- Interior Drum Light
- Reversible Door
- Door Safety

Convenience

- Child Lock
- Filter Check Indicator
- Mixed Load Bell
- Vent Sensor
- Stainless Steel Drum

- Wi-Fi Connectivity and Voice Control



Rating



- ENERGY STAR® - Rated
- IWF = 4.3
- Energy Consumption (annual) = 608 kWh/yr



#1 Highest in Customer Satisfaction with Top-Load Clothes Washers in the U.S., 3 Years in a Row.³

¹ Based on internal testing. Independently verified by Intertek in its report RT18E-S0023 dated 19-Dec-2018.

² The Samsung Smart Washer/Dryer App is required and is available on Android and iOS devices. The Samsung Smart Washer/Dryer app supports Android OS 2.3.6 or later and iOS 3 or later for iPhone models. A Wi-Fi connection is required.

³ The Sensor Dry icon turns on when in use.

⁴ For J.D. Power 2021 award information, visit jdpower.com/awards

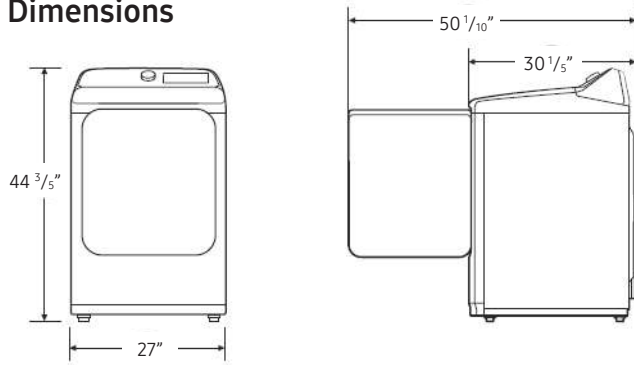
Service callouts will occasionally be required and may incur extra repair costs.

DVE52B7650V

SAMSUNG

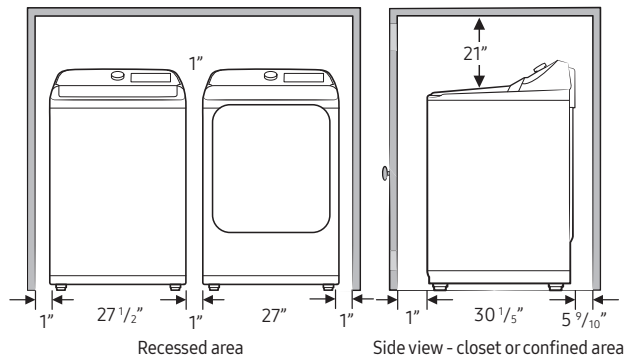
Electric Dryer with Vent Sensor and Stainless Steel Drum 7.4 cu. ft. Capacity DOE

Dimensions



Alcove or closet installation

MINIMUM CLEARANCES FOR CLOSET AND ALCOVE INSTALLATIONS:



Installation Specifications

If the washer and dryer are installed together, the closet front must have at least a 72 in² (465 cm²) unobstructed air opening. Your washer alone does not require a specific air opening.

WARNING

- The dryer must be exhausted to the outside to reduce the risk of fire when installed in an alcove or closet.
- No other fuel-burning appliance should be installed in the same closet as the dryer.
- Place the dryer at least 18" (460 mm) above the floor for garage installation.

7.4 cu. ft. Capacity

12 Preset Drying Cycles:

Refresh, Steam Sanitize+, Downloaded Cycle, Normal, Heavy Duty, Perm Press, Bedding, Delicates, Active Wear, Time Dry, Air Fluff, Quick Dry

10 Additional Drying Options:

Mixed Load Bell, Wrinkle Prevent, Adjust Time (Up), Adjust Time (Down), Child Lock (Dual Key), Sound On/Off (Long Key), Eco Dry, Smart Care (Long Key), Drum Light (Long Key), Smart Control

5 Temperature Levels:

High, Medium, Medium Low, Low, Extra Low

5 Dry Levels:

Very Dry (Extra), More Dry, Normal Dry, Less Dry, Damp Dry

Warranty

One (1) Year Parts and Labour

Product Dimensions & Weight (WxHxD)

Dimensions: 27" x 44 3/5" x 30 1/5"

Weight: 119 lbs (54 Kg)

Shipping Dimensions & Weight (WxHxD)

Dimensions: 29 1/2" x 47 1/2" x 31 1/10"

Weight: 125.7 lbs (57 Kg)

Electric Dryer

Black Stainless

Model

DVE52B7650V

UPC

887276618661

Matching Washer

Black Stainless

Model

WA52B7650AV

UPC

887276618678

Other Specifications

Type		Front loading dryer
Water pressure (psi (kPa))		20-116 (137-800)
Weight	lb (kg)	119.0 (54.0)
Heater rating	Electric (W)	5300
	Gas (BTU/hr)	2000
Power consumption (W)		5400