

DVE50A5405V

SAMSUNG

Electric Dryer with Steam Sanitize+ and Energy Star
7.4 cu. ft. Capacity DOE



Signature Features

Steam Sanitize+

Steam Sanitize+ helps remove 99.9% of bacteria, over 95% of pollen, and 100% of dust mites.¹

Wi-Fi Connectivity

Control your washer/dryer with voice commands from Bixby, Alexa and Google Assistant. Wi-Fi Connectivity, allows you to remotely start or stop your cycle, schedule laundry on your time, receive end of cycle alerts, and more right from your smartphone with the SmartThings app.²

Sensor Dry

Automatically optimizes the time and temperature of your drying cycle to protect your clothes from heat damage, while avoiding excess energy use.³

Available Colour



Black Stainless Steel



Steam Sanitize+



Wi-Fi Connectivity

Features

- Steam
- SmartThings Wi-Fi Connectivity
- Smart Care
- Interior Drum Light
- Reversible Door
- Door Safety

Convenience

- Child Lock
- Filter Check Indicator
- Mixed Load Bell

- Wi-Fi Connectivity and Voice Control



Rating



- ENERGY STAR® - Rated
- IWF = 4.3
- Energy Consumption (annual) = 120 kWh/yr



#1 Highest in Customer Satisfaction with Top-Load Clothes Washers in the U.S., 2 Years in a Row.³

¹ Based on internal testing. Independently verified by Intertek in its report RT18E-S0023 dated 19-Dec-2018.

² The Samsung Smart Washer/Dryer App is required and is available on Android and iOS devices. The Samsung Smart Washer/Dryer app supports Android OS 2.3.6 or later and iOS 3 or later for iPhone models. A Wi-Fi connection is required.

³ The Sensor Dry icon turns on when in use.

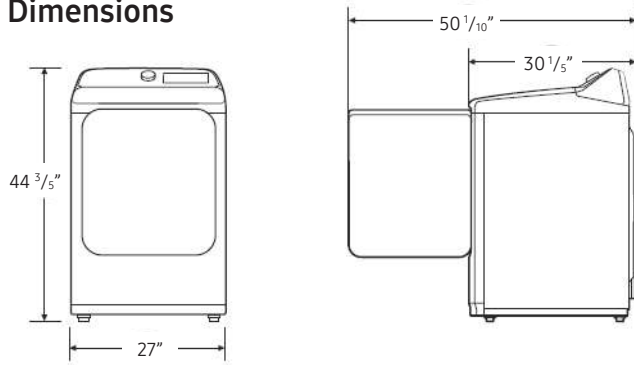
⁴ For J.D. Power 2020 award information, visit jdpower.com/awards
Service callouts will occasionally be required and may incur extra repair costs.

DVE50A5405V

SAMSUNG

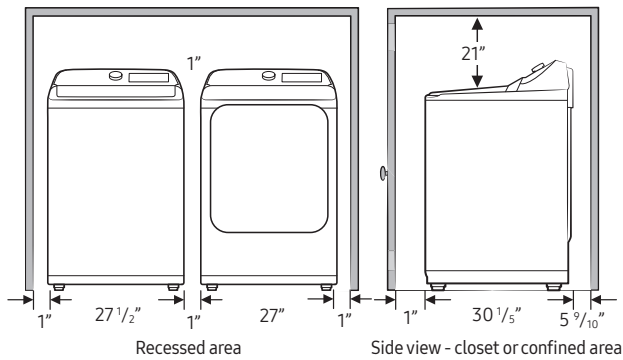
Electric Dryer with Steam Sanitize+ and Energy Star 7.4 cu. ft. Capacity DOE

Dimensions



Alcove or closet installation

MINIMUM CLEARANCES FOR CLOSET AND ALCOVE INSTALLATIONS:



Installation Specifications

If the washer and dryer are installed together, the closet front must have at least a 72 in² (465 cm²) unobstructed air opening. Your washer alone does not require a specific air opening.

WARNING

- The dryer must be exhausted to the outside to reduce the risk of fire when installed in an alcove or closet.
- No other fuel-burning appliance should be installed in the same closet as the dryer.
- Place the dryer at least 18" (460 mm) above the floor for garage installation.

7.4 cu. ft. Capacity

12 Preset Drying Cycles:

Refresh, Steam Sanitize+, Wrinkle Away, Normal, Heavy Duty, Perm Press, Bedding, Delicates, Active Wear, Time Dry, Air Fluff, Quick Dry

9 Additional Drying Options:

Mixed Load Bell, Wrinkle Prevent, Adjust Time (Up), Adjust Time (Down), Child Lock (Dual Key), Sound On/Off (Long Key), Eco Dry, Smart Care (Long Key), Drum Light (Long Key)

5 Temperature Levels:

High, Medium, Medium Low, Low, Extra Low

5 Dry Levels:

Very Dry (Extra), More Dry, Normal Dry, Less Dry, Damp Dry

Warranty

One (1) Year Parts and Labour

Product Dimensions & Weight (WxHxD)

Dimensions: 27" x 44 3/5" x 30 1/5"

Weight: 119 lbs (54 Kg)

Shipping Dimensions & Weight (WxHxD)

Dimensions: 29 1/2" x 47 1/2" x 31 1/10"

Weight: 125.7 lbs (57 Kg)

Electric Dryer	Model #	UPC Code
----------------	---------	----------

Black Stainless	DVE50A5405V	
-----------------	-------------	--

Matching Washer	Model #	UPC Code
-----------------	---------	----------

Black Stainless	WA50A5400AV	
-----------------	-------------	--

Other Specifications

Type		Front loading dryer
Water pressure (psi (kPa))		20-116 (137-800)
Weight	lb (kg)	119.0 (54.0)
Heater rating	Electric (W)	5300
	Gas (BTU/hr)	2000
Power consumption (W)		5400