

# DVE45B6305P

SAMSUNG

Samsung Smart Front Load Electric Dryer with Steam Sanitize+  
7.5 cu. ft. Capacity DOE



## Signature Features

### SmartThings Enabled

Wi-Fi connected so you can remotely start or stop your cycle, schedule laundry on your time, receive end of cycle alerts, and more right from your smartphone.<sup>1</sup>

### Steam Sanitize+

The Steam Sanitize+ cycle removes 99.9% of germs and bacteria, over 95% of pollen, and kills 100% of dust mites<sup>2</sup>. Multi-Steam Technology steams away wrinkles, odors, and static.

### Sensor Dry

Automatically optimizes the time and temperature of your drying cycle to protect your clothes from heat damage, while avoiding excess energy use.

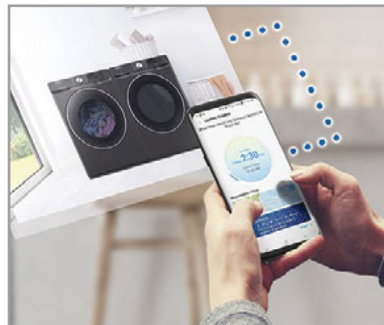
## Available Colours



Platinum (shown)



Champagne



SmartThings Enabled



Steam Sanitize+

## Features

- SmartThings Enabled
- Steam Sanitize+
- Sensor Dry
- Vent Sensor
- Interior Drum Light
- 12 Preset Drying Cycles
- 10 Additional Drying Options
- 5 Temperature Levels
- 4-Way Venting (3-Way for Gas)
- Dual Heaters
- Reversible Tempered Glass Door
- LED Display: Ice Blue

## Convenience

- Child Lock
- Filter Check Indicator

## Rating



- ENERGY STAR® - Rated
- Energy Consumption (annual) = 608 kWh/yr

<sup>1</sup> Samsung Smart Washer/Dryer app is available at the App Store. Please check app for compatibility with your smartphone before downloading.

<sup>2</sup> Based on internal testing and independently verified by Intertek. Individual results may vary.

<sup>3</sup> For J.D. Power 2020 award information, visit [jdpower.com/awards](http://jdpower.com/awards)



#1 Highest in Customer Satisfaction with Clothes Dryers in the U.S.,  
3 Years in a Row.<sup>3</sup>

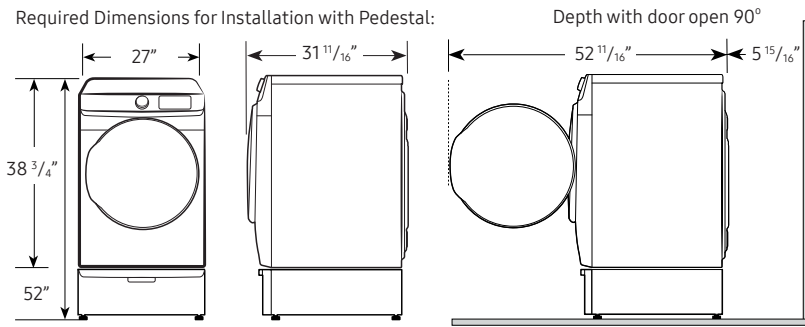
# DVE45B6305P

**SAMSUNG**

## Samsung Smart Front Load Electric Dryer with Steam Sanitize+ 7.5 cu. ft. Capacity DOE

### Dimensions

Required Dimensions for Installation with Pedestal:



### 7.5 cu. ft. Capacity

4-Way Venting (Electric)

3-Way Venting (Gas)

### 12 Preset Drying Cycles:

Refresh, Steam Sanitize+, Normal, Heavy Duty, Permanent Press, Active Wear, Bedding, Delicates, Time Dry, Air Fluff, Quick Dry, Downloaded

### 9 Additional Downloaded Cycles:

Wrinkle Away, Eco Normal, Towels, Wool, Sanitize, Shirts, Denim, Low Temperature, Rack Dry

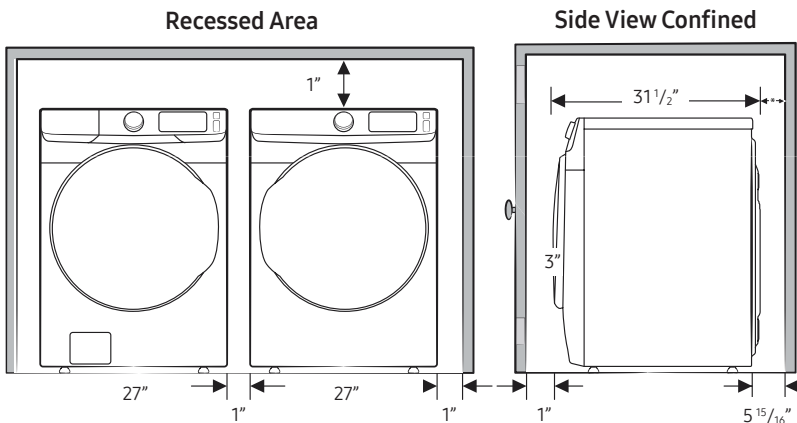
### Installation Specifications

If the washer and dryer are installed together or the dryer alone, the closet front must have two unobstructed air openings for a combined minimum total area of 72 in<sup>2</sup> (see stacked build below). Your washer alone does not require a specific air opening.

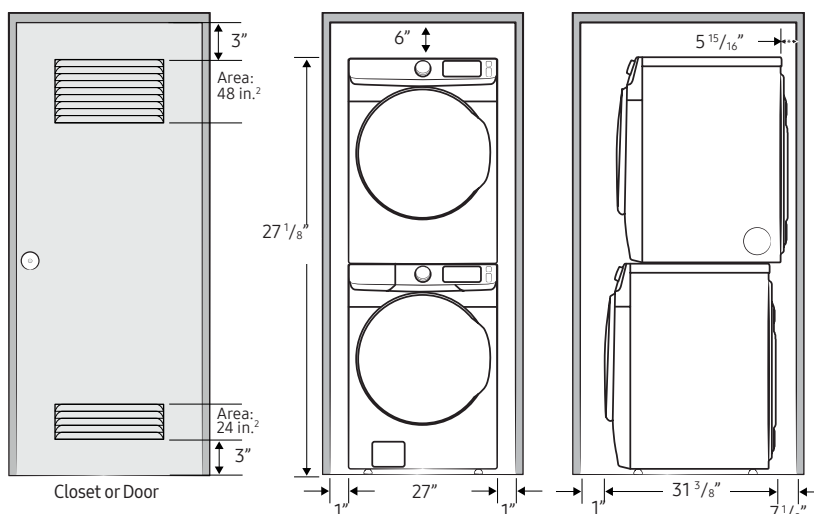
\* Required spacing (External exhaust elbow may require additional space.)

### 1. Alcove or closet installation

MINIMUM CLEARANCES FOR CLOSET AND ALCOVE INSTALLATIONS:



### 2. With stacked washer and dryer



### 10 Additional Drying Options:

Damp Alert, Wrinkle Prevent, Smart Control, Adjust Time (Up), Adjust Time (Down), Eco Dry, Drum Light, Child Lock, Smart Care, Alarm Off

### 5 Temperature Levels:

High, Medium High, Medium, Medium Low, Low

### 5 Dry Levels:

More Dry, Normal-More Dry, Normal Dry, Normal-Less Dry, Less Dry

### Warranty

One (1) Year Parts and Labour

### Product Dimensions & Weight (WxHxD)

Dimensions: 27" x 38 3/4" x 31 1/2"

Weight: 123 lbs (55.8 kg)

### Shipping Dimensions & Weight (WxHxD)

Dimensions: 29 3/8" x 42 9/16" x 33 1/2"

Weight: 130 lbs (59 kg)

### Electric Dryer

Model #	UPC
DVE45B6305P	887276652153
DVE45B6305C	887276652146

### Matching Washer

Model #	UPC
WF45B6300AP	887276627410
WF45B6300AC	887276627403

### Gas Dryer

Model #	UPC
DVG45B6305P	887276652146

### Matching Pedestal

Model #	UPC
WE402NP	887276310145
WE402NC	887276310121

### Accessories

Stacking Kit	SKK-8K	887276344034
--------------	--------	--------------