

DV25B6800EW

SAMSUNG

4.0 cu. ft. 24" Front-Load Electric Dryer (Vented)



Signature Features

Smart Care

Troubleshoot with your smartphone. Perform a quick diagnosis of your washer and dryer right from your smartphone.*

Sensor Dry

Automatically adjusts drying time by sensing moisture so your clothes don't over-or-under dry.

12 Drying Cycles

Multiple cycles for better drying include: Normal, Heavy Duty, Towels, Permanent Press, Active Wear, Delicates, Wool, Sanitize, Time Dry, Air Fluff, Quick Dry, Wrinkle Release.

Available Colour



White



Smart Care



Sensor Dry

Features

- Smart Care™
- Sensor Dry
- 12 Preset Drying Cycles
- 8 Options
- Stainless Steel Drum
- 5 Temperature Settings (vented)
- 5 Timed Dry Settings (vented)
- 4-Way Venting (vented)
- Dryer Drum Light
- Reversible See-Through Door

Convenience

- Child Lock
- Filter Check Indicator

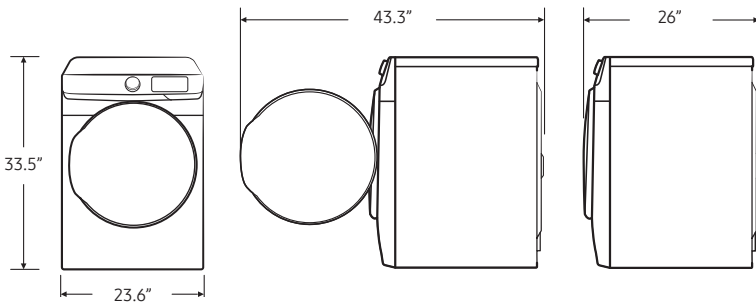
*Samsung Smart Washer/Dryer app is available at the App Store. Please check app for compatibility with your smartphone before downloading.

DV25B6800EW

SAMSUNG

4.0 cu. ft. 24" Front-Load Electric Dryer (Vented)

Dimensions

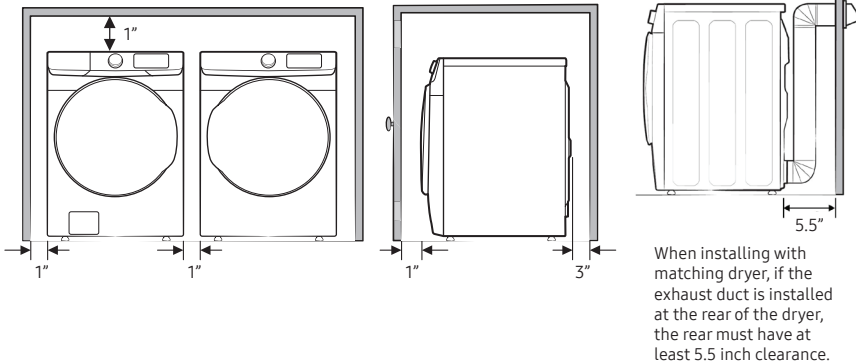


Installation Specifications

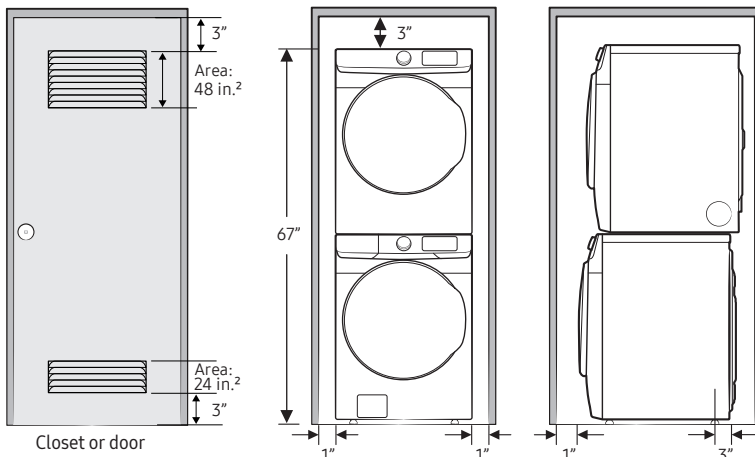
If the washer and dryer are installed together or the dryer alone, the closet front must have two unobstructed air openings for a combined minimum total area of 72 in² (see stacked build below). Your washer alone does not require a specific air opening.

1. Alcove or closet installation

MINIMUM CLEARANCES FOR CLOSET AND ALCOVE INSTALLATIONS:



2. With stacked washer and dryer



4.0 cu. ft. Capacity IEC

4-Way Venting

12 Preset Dry Cycles:

Normal, Heavy Duty, Towels, Permanent Press, Active Wear, Delicates, Wool, Sanitize (vented), Time Dry, Air Fluff, Quick Dry, Wrinkle Release.

8 Options:

Mixed Load Bell, Wrinkle Prevent, My Cycle, Adjust Time, Sound, Child Lock, Smart Care, Drum Light

5 Temperature Settings (vented):

High, Medium, Medium Low, Low, Extra Low

5 Dry Levels:

Very Dry, More Dry, Normal Dry, Less Dry, Damp Dry

Warranty

One (1) Year Labour

Stacking Kit

Included with the compact dryer SK-DH UPC Code: 887276151052

Electrical Requirement	240V/60Hz (may operate in 208V with longer drying time)
Max Wattage	2500 W
Stacking Kit	Included in dryer package
Power Cord Length	59"

Product Dimensions & Weight (WxHxD)

Dimensions: 23 ³/₁₆" x 33 ¹/₂" x 26"

Weight: 88 lbs (40 kg) - Vented

Shipping Dimensions & Weight (WxHxD)

Dimensions: 26 ¹/₄" x 35" x 27 ¹/₂"

Weight: 99 lbs (45 kg)

Vented Dryer Colour: White	Model # DV25B6800EW/AC	UPC Code 887276665160
Heat Pump Dryer Colour: White	Model # DV25B6800HW/AC	UPC Code 887276665177
Matching Washer Colour: White	Model # WW25B6800AW/AC	UPC Code 887276650302