

# RR14T7414

SAMSUNG

## 14 cu. ft. BESPOKE Column Refrigerator with Customizable Panels and Flexible Design



### Signature Features

#### Colour Customization

Customize the colour of your refrigerator. Choose from six colours and two finishes to create a space that fits your style.\*

#### Modularization

Design your ideal refrigerator space – use it as a standalone or seamlessly combine it with another BESPOKE Column.

#### All-Around Cooling

All-Around Cooling and multi-vent technology maintain even air circulation on every shelf for a consistent temperature throughout.

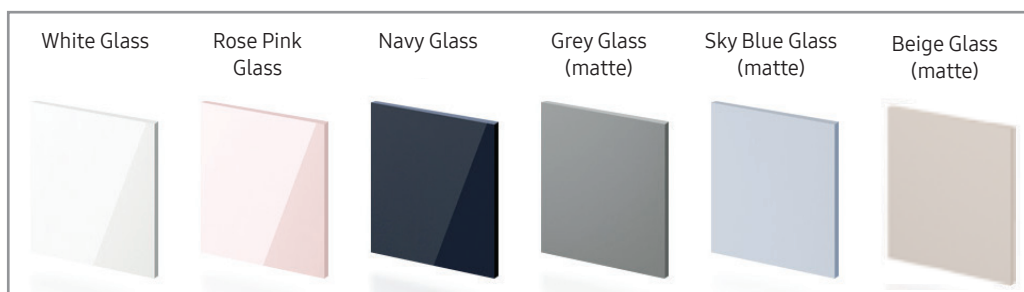


Modularization



All-Around Cooling

### BESPOKE Panel Colour Selection



### Design

- Convertible Zone
- Organizational Options
- Reversible Door

### Technology

- 5 Spill-Proof Shelves
- 2 Crisper Drawers
- 7 Door Bins

### Performance

- All-Around Cooling
- Surround AirFlow
- Cool Tight Door

### Rating



- ENERGY STAR® - Rated
- Energy Consumption (annual) = 215 kWh/yr

\*Door panel sold separately.

# RR14T7414

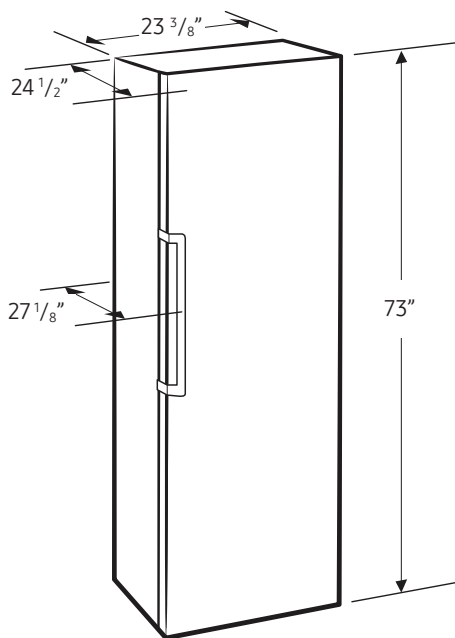
# SAMSUNG

## 14 cu. ft. BESPOKE Column Refrigerator with Customizable Panels and Flexible Design

### Installation Requirements

- Solid, level surface without carpeting or flooring that may obstruct ventilation
- Away from direct sunlight
- Adequate room for opening and closing the door
- Away from a heat source
- Room for maintenance and servicing
- Temperature range: between 50°F (10°C) and 110°F (43°C)

### Dimensions



### Total Capacity: 14 cu. ft.

- 5 Spill-Proof Shelves
- 2 Crisper Drawers
- 7 Door Bins
- High-Efficiency LED Lighting

### Warranty

- One (1) Year Parts and Labour on Refrigerator
- Ten (10) Years Parts on Digital Inverter Compressor

Volt/Amps	115V / 60Hz / 3.5A
Power Cord Length	2 meters

### Product Dimensions & Weight (WxHxD)

Dimensions (WxHxD with hinges, handle and door):

23 3/8" x 73" x 27 1/8"

Dimensions (WxHxD with hinges and door):

23 3/8" x 73" x 24 1/2"

Dimensions (WxHxD without hinges and door):

23 3/8" x 73" x 22 7/8"

Weight: 159 lbs (72 kg)

### Shipping Dimensions & Weight (WxHxD)

Dimensions: 25 3/8" x 76 7/8" x 30"

Weight: 176 lbs (80 kg)

### Style

1 Column Freezer

### Model #

RZ11T7474AP

### UPC

887276585284

1 Column Fridge

RR14T7414AP

887276585277

