

RF29BB89008MAC

SAMSUNG

BESPOKE 4-Door French Door Refrigerator with Beverage Center and FamilyHub™
28.6 cu. ft.



Signature Features

Customizable Door Panels

Customize the colour of your refrigerator. Choose from eleven colours and two finishes to create a space that fits your style.¹

Family Hub™

A fun way to share messages, photos, videos and schedules. You can also listen to music, watch TV² and monitor your home all from the Family Hub. It even helps you plan recipes and send instructions to the oven.

Beverage Center

Consists of a BPA Free³ Autofill Water Pitcher that fills up automatically and a regular Water Dispenser for easy access to a glass of fresh or flavoured water.

Dual Auto Ice Maker

Be prepared for any occasion with two different types of ice. The Dual auto ice maker makes both cubed ice and ice bites.

Bespoke 4-Door Refrigerator with Family Hub™ Colour Models



Custom Panel-Ready
with Charcoal Glass
Family Hub™ Panel

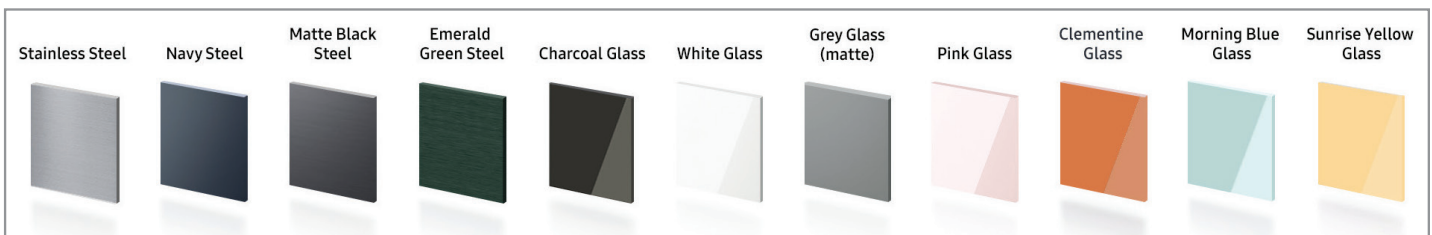


Custom Panel-Ready
with White Glass
Family Hub™ Panel



Charcoal Glass Top and Family
Hub™ Panels with Matte Black
Steel Middle and Bottom Panels

BESPOKE Panel Colour Selection



Features

- 21.5" Family Hub Display
- 36" Wide
- Large Storage Capacity – 28.6 cu. ft.
- BESPOKE - customizable door panels
- Metal Cooling
- Tempered Glass Spill-Proof Shelves
- Fingerprint Resistant Finish

Convenience

- Beverage Center
- FlexZone
- Dual Auto Ice Maker
- Door Alarm
- Wi-Fi Connectivity
- Power Cool
- Power Freeze

Rating



- ENERGY STAR® - Rated
- Energy Consumption (annual) = 683 kWh/yr

¹ Two charcoal glass panels and two matte black steel panels included. Other panels sold separately.

² Wi-Fi connection required. The SmartThings app is available for download for Android, iOS and Windows. Minimum smartphone requirements: Android 4.0, iOS 7.0, Windows Phone 8.1 or greater.

³ Does not contain the chemical Bisphenol A.

RF29BB89008MAC

SAMSUNG

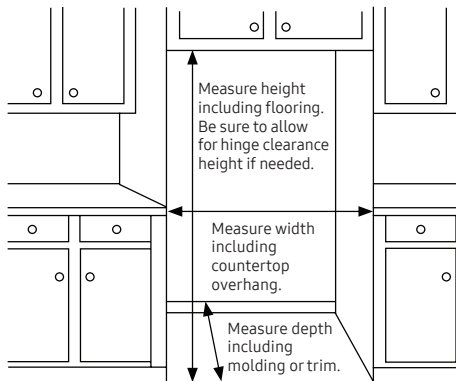
BESPOKE 4-Door French Door Refrigerator with Beverage Center and FamilyHub™ 28.6 cu. ft.

Installation Specifications

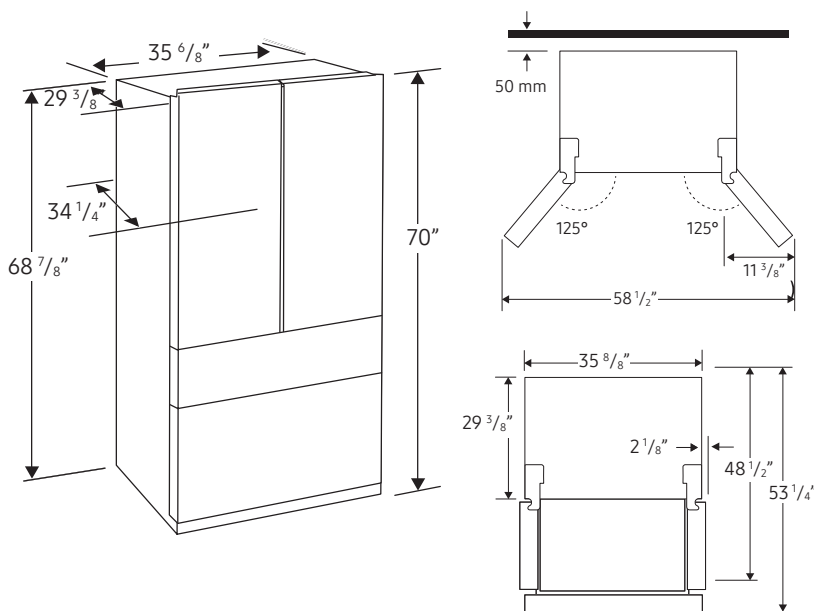
1. Measure the height, width and depth of the opening, making sure to include baseboards, molding tile, countertop overhang, etc. Check to be sure there is enough room to open the door (consider walls, islands or other obstacles when measuring).
2. Refer to illustration below to determine dimensions.
3. Allow 11 3/8" of clearance on hinge side of refrigerator when installing next to a wall where door may make contact.
4. Allow 2" minimum clearance at rear for proper air circulation and water/electrical connections. Allow a 3/8" minimum clearance at sides and top for ease of installation.
5. Ensure each door and entryway in the home is wide enough for the refrigerator to be moved through easily.

For optimal usage and to be able to open refrigerator doors completely, do not install next to a wall.

Please note: The following dimension and cutout information is for planning purposes only. For complete installation details, consult manual packed with product, or download manual online at samsung.com.



Dimensions



Total Capacity: 28.6 cu. ft.

Refrigerator: 16.5 cu. ft.

- 4 Tempered Glass Spill-Proof Shelves
- 2 Clear Drawers including Crisper+
- 6 Door Bins
 - Right: 1 Gallon Bin, 2 Regular Bins
 - Left: 3 Regular Bins
- Surface Lighting

FlexZone™ Drawer: 3.1 cu. ft.

- 5 Temperature Zones
 - Soft Freeze (-5° C)
 - Meat/Fish (-1° C)
 - Cold Drinks (1° C)
 - Deli/Snacks (2.8° C)
 - Wine/Party Dishes (5° C)
- 2 Drawer Dividers
- High Efficiency LED Lighting

Freezer: 9 cu. ft.

- Dual Ice Maker in Freezer (Cubed Ice AND Ice Bites™)
- Ice Bucket with Cover and 1 Scoop
- Produces up to 5.4 lbs ice/day, stores up to 9.9 lbs
- High Efficiency LED Lighting

Accessories

Water Filter: HAF-QIN

Volt/Amps	115V / 60Hz / 3.5A
Power Cord Length	2 meters

Warranty

One (1) Year Parts and Labour on Refrigerator
Ten (10) Years Parts on Digital Inverter Compressor

Product Dimensions & Weight (WxHxD)

Dimensions (WxHxD with hinges, handles and doors):

35 6/8" x 70" x 34 1/4"

Dimensions (WxHxD without hinges and door):

35 6/8" x 68 7/8" x 29 3/8"

Dimensions (WxHxD with hinge and door, no handle):

35 6/8" x 70" x 34 1/4"

Weight: 374.8 lbs (170 kg)

Shipping Dimensions & Weight (WxHxD)

Dimensions: 38 1/4" x 76 3/4" x 36 1/4"

Weight: 399 lbs (181 kg)

Style	Model #	UPC
Charcoal Glass Top and Family Hub™ Panels with Matte Black Steel Middle and Bottom Panels	RB29BB89008MAC	887276639871
Panel-Ready with Charcoal Glass Family Hub™ Panel	RB29BB8900ACAC	887276624372
Panel-Ready with White Glass Family Hub™ Panel	RB29BB8900AWAC	887276639895