

# RF25C5151SR

SAMSUNG

## 25 cu. ft. 3-Door French Door Refrigerator with Dual Auto Ice Maker



### Signature Features.

#### Dual Auto Ice Maker

Enjoy your favorite beverage with your choice of ice. Select from cubed ice or Ice Bites™ that chill your drink faster.

#### Large Capacity (25 cu. ft.) with SpaceMax™ Technology

Store more food with a spacious 25 cu. ft. interior. Unique SpaceMax™ technology uses special high-urethane insulation that enables the walls to be much thinner without compromising energy efficiency. It creates an extra 5 cu. ft. of storage space.\*

\*Based on internal testing, compared to the RF20A model.

#### Internal Water Filter

Seamless design with an internal water filter integrated into the fridge. Keeps your water fresh.

#### Modern Design

Give your home a stylishly integrated appearance. Its premium built-in design is both neat and modern, but won't look out of place with your existing appliances and cabinets. It also features strikingly beautiful flat doors and recessed handles, so they don't protrude and get in the way.

### Available Color



Fingerprint Resistant  
Stainless Steel



### Design

- Internal Water Filter
- Modern Design
- Fingerprint Resistant Finish
- Recessed Handle
- LED Lighting
- Gallon Door Bins
- Tempered Glass Spill-Proof Shelves

### Technology

- Digital Inverter Technology
- Wi-Fi Connectivity
- Door Alarm
- Power Cool & Power Freeze

### Performance

- Dual Auto Ice Maker with Ice Bites™
- SmartThings Energy\*
- All-Around Cooling

\*Available on Android and iOS devices. A Wi-Fi connection and a Samsung account are required.

### Rating



ENERGY STAR® rated:  
643 kWh/yr



ADA Compliant

# RF25C5151SR

SAMSUNG

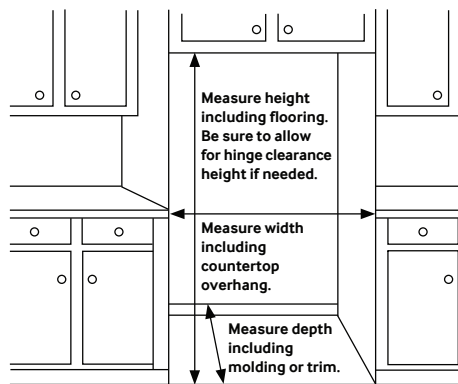
## 25 cu. ft. 3-Door French Door Refrigerator with Dual Auto Ice Maker

### Installation Specifications

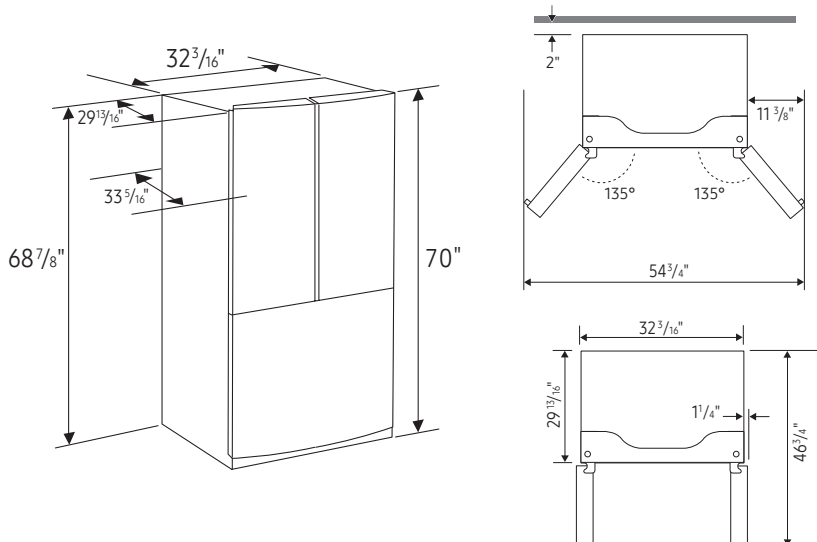
1. Measure the height, width and depth of the opening, making sure to include baseboards, molding tile, countertop overhang, etc. Check to be sure there is enough room to open the door (consider walls, islands or other obstacles when measuring).
2. Refer to illustration below to determine dimensions.
3. Allow 3½" of clearance on hinge side of refrigerator when installing next to a wall where door may make contact.
4. Allow 2" minimum clearance at rear for proper air circulation and water/electrical connections. Allow a " minimum clearance at sides and top for ease of installation.
5. Ensure each door and entryway in the home is wide enough for the refrigerator to be moved through easily.

For optimal usage and ability to open refrigerator doors completely, do not install next to a wall.

Please note: The following dimensions and cutout information is for planning purposes only. For complete installation details, consult manual packed with product or download manual online at [samsung.com](http://samsung.com).



### Dimensions



**Total Capacity: 24.5 cu. ft.**

**Refrigerator: 16.5 cu. ft.**

- 3 Tempered Glass Spill-Proof Shelves
- 2 Clear Crisper Drawers
- 6 Door Bins
  - Right Door: 1 Gallon Bin, 2 Regular Bins
  - Left Door: 1 Gallon Bin, 2 Regular Bins
- Surface Lighting

**Freezer: 8.0 cu. ft.**

- Dual Ice Maker in Freezer (Cubed Ice AND Ice Bites)
- Ice Bucket with Cover and 1 Scoop
- Produces up to 5.6 lbs ice/day
- High-Efficiency LED Lighting

### Accessories

Water Filter: HAF-QIN

### Voltage and Power

Volts/Amps : 115V /60Hz / 3.0A  
Power Cord Length : 2 meters

### Warranty

One (1) Year Parts and Labor on Refrigerator  
Ten (10) Years Parts on Digital Inverter Compressor

### Product Dimensions & Weight

Dimensions (WxHxD with hinges and doors):  
32<sup>3</sup>/<sub>16</sub>" x 70" x 33<sup>5</sup>/<sub>16</sub>"

Dimensions (WxHxD without hinges and door):  
32<sup>3</sup>/<sub>16</sub>" x 68<sup>7</sup>/<sub>8</sub>" x 29<sup>13</sup>/<sub>16</sub>"

Weight: 248 lbs

### Shipping Dimensions & Weight (WxHxD)

Dimensions: 32<sup>5</sup>/<sub>8</sub>" x 73" x 35"  
Weight: 256 lbs

### Color

Fingerprint Resistant  
Stainless Steel

### Model #

RF25C5151SR

### UPC Code

887276719009