

RF24BB6200QLAA

SAMSUNG

BESPOKE French Door Counter-Depth Refrigerator with AutoFill Water Pitcher
24.0 cu. ft.



Signature Features

Customizable Door Panels

Customize the colour of your refrigerator. Choose from eleven colours and two finishes to create a space that fits your style.¹

This model ships with Stainless Steel panels.

AutoFill Water Pitcher

A BPA Free² Autofill Water Pitcher located in the fridge door fills up automatically to give you easy access to cold flavoured water.

Dual Auto Ice Maker

Be prepared for any occasion with two different types of ice. The Dual auto ice maker makes both cubed ice and ice bites.

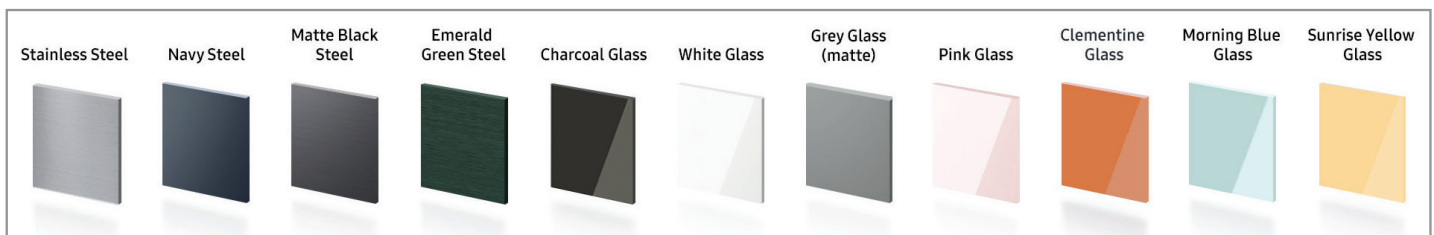


AutoFill™ Water Pitcher



Dual Ice Maker with Cubed Ice and IceBites™

BESPOKE Panel Colour Selection



Features

- 36" Wide
- Large Storage Capacity – 24.0 cu. ft.
- BESPOKE - customizable door panels
- Twin Cooling Plus
- Crisper+
- Tempered Glass Spill-Proof Shelves
- Fingerprint Resistant Finish
- Sabbath Mode
- ADA Compliant

Convenience

- Autofill Water Pitcher
- Dual Auto Ice Maker
- Door Alarm
- Wi-Fi Connectivity
- Power Cool
- Power Freeze

Rating



- ENERGY STAR® - Rated
- Energy Consumption (annual) = 630 kWh/yr

¹ Stainless Steel panels included. Other colour door panels sold separately.

² Does not contain the chemical Bisphenol A.

RF24BB6200QLAA

SAMSUNG

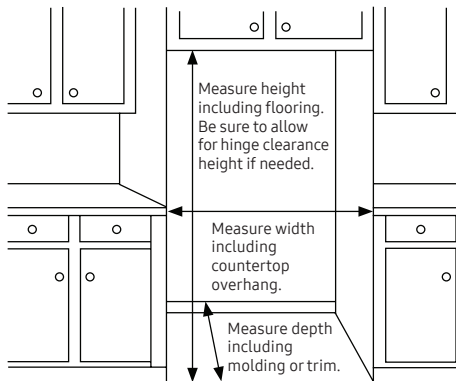
BESPOKE French Door Counter-Depth Refrigerator with AutoFill Water Pitcher 24.0 cu. ft.

Installation Specifications

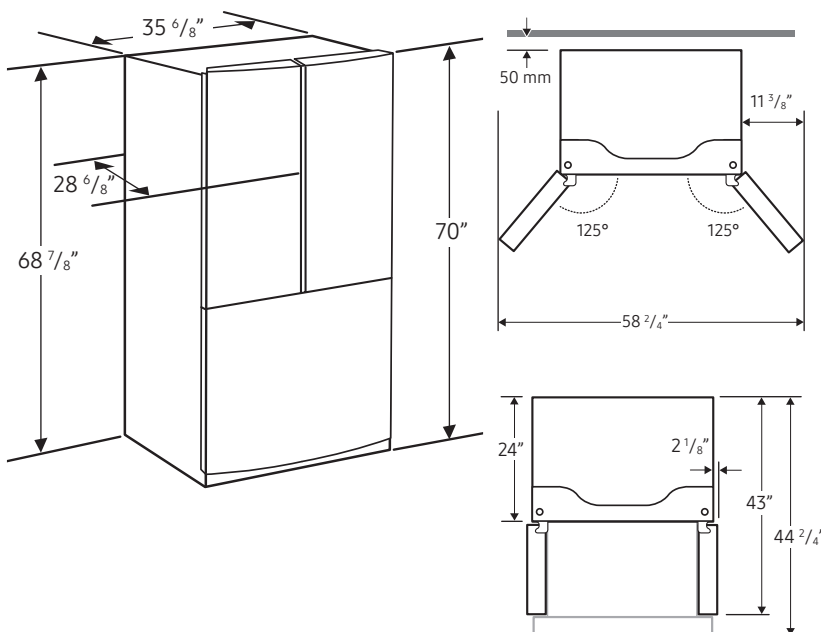
1. Measure the height, width and depth of the opening, making sure to include baseboards, molding tile, countertop overhang, etc. Check to be sure there is enough room to open the door (consider walls, islands or other obstacles when measuring).
2. Refer to illustration below to determine dimensions.
3. Allow $11\frac{3}{8}$ " of clearance on hinge side of refrigerator when installing next to a wall where door may make contact.
4. Allow 2" minimum clearance at rear for proper air circulation and water/electrical connections. Allow a $\frac{3}{8}$ " minimum clearance at sides and top for ease of installation.
5. Ensure each door and entryway in the home is wide enough for the refrigerator to be moved through easily.

For optimal usage and to be able to open refrigerator doors completely, do not install next to a wall.

Please note: The following dimension and cutout information is for planning purposes only. For complete installation details, consult manual packed with product, or download manual online at samsung.com.



Dimensions



Total Capacity: 24.0 cu. ft.

Refrigerator: 17.2 cu. ft.

- 4 Tempered Glass Spill-Proof Shelves
- 2 Clear Drawers including Crisper+
- 8 Door Bins
 - Right: 1 Gallon Bin, 3 Regular Bins
 - Left: 1 Gallon Bin, 3 Regular Bins
- LED Lighting

Freezer: 6.8 cu. ft.

- Dual Ice Maker in Freezer (Cubed Ice or Ice Bites)
 - 2 Ice Buckets with Cover and 1 Scoop
- 2 Boxes
- LED Lighting

Accessories

Water Filter: HAF-QIN

Volt/Amps	115V / 60Hz / 3.5A
Power Cord Length	2 meters

Warranty

One (1) Year Parts and Labour on Refrigerator
Ten (10) Years Parts on Digital Inverter Compressor

Product Dimensions & Weight (WxHxD)

Dimensions (WxHxD with hinges, handles and doors):

$35\frac{6}{8}$ " x 70 " x $28\frac{6}{8}$ "

Dimensions (WxHxD without hinges and door):

$35\frac{6}{8}$ " x $68\frac{7}{8}$ " x 24 "

Dimensions (WxHxD with hinge and door, no handle):

$35\frac{6}{8}$ " x 70 " x $28\frac{6}{8}$ "

Weight: 291 lbs (132 kg)

Shipping Dimensions & Weight (WxHxD)

Dimensions: $38\frac{1}{4}$ " x $76\frac{3}{4}$ " x $30\frac{5}{8}$ "

Weight: 313.1 lbs (142 kg)

Style

Pre-Built Stainless

Steel Panels

Without Panels

Model

RF24BB6200QLAA

RF24BB6200APAA

UPC

887276624259

887276624242