

RF23BB8600APAA

SAMSUNG

BESPOKE 4-Door French Door Counter-Depth Refrigerator with Beverage Center
22.8 cu. ft.



Signature Features

Customizable Door Panels

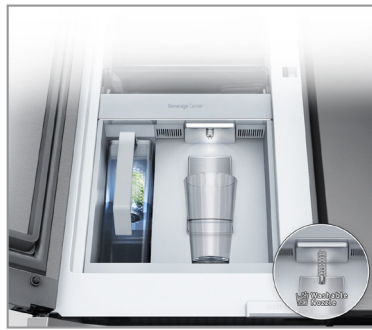
Customize the colour of your refrigerator. Choose from eleven colours and two finishes to create a space that fits your style.¹

Beverage Center

Consists of a BPA Free² Autofill Water Pitcher that fills up automatically and a regular Water Dispenser for easy access to a glass of fresh or flavoured water.

Dual Auto Ice Maker

Be prepared for any occasion with two different types of ice. The Dual auto ice maker makes both cubed ice and ice bites.

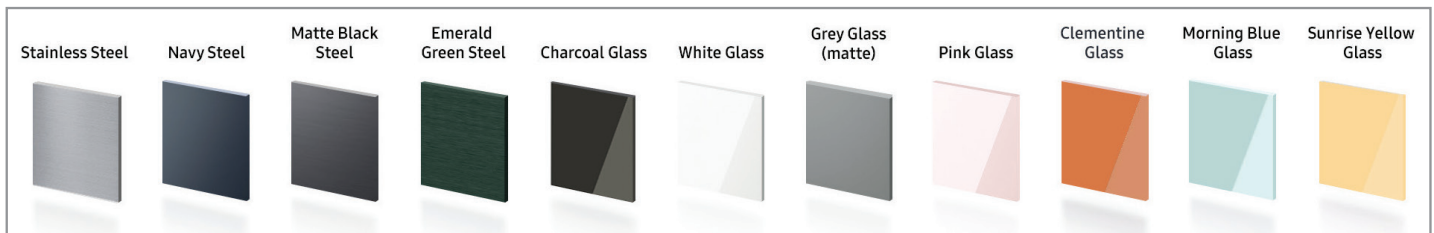


Beverage Center™ with
AutoFill™ Water Pitcher



Dual Ice Maker with Cubed Ice
and IceBites™

BESPOKE Panel Colour Selection



Features

- 36" Wide
- Large Storage Capacity – 22.8 cu. ft.
- BESPOKE - customizable door panels
- Twin Cooling Plus
- Tempered Glass Spill-Proof Shelves
- Sabbath Mode
- ADA Compliant

Convenience

- Beverage Center
- FlexZone
- Dual Auto Ice Maker
- Door Alarm
- Wi-Fi Connectivity
- Power Cool
- Power Freeze

Rating



- ENERGY STAR® - Rated
- Energy Consumption (annual) = 621 kWh/yr

¹ Door panels sold separately.

² Does not contain the chemical Bisphenol A.

RF23BB8600APAA

SAMSUNG

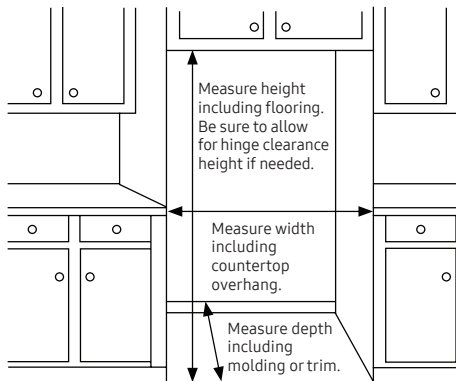
BESPOKE 4-Door French Door Counter-Depth Refrigerator with Beverage Center 22.8 cu. ft.

Installation Specifications

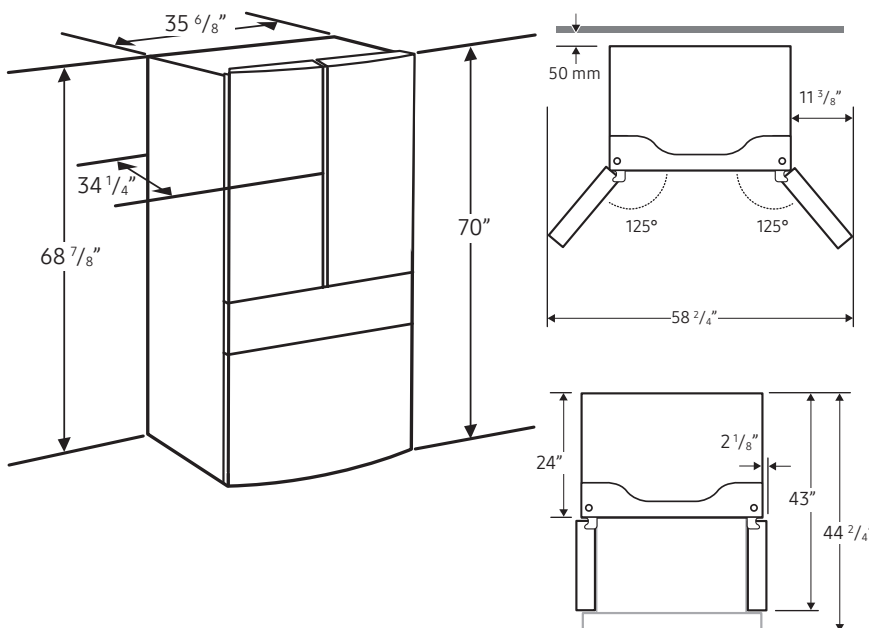
1. Measure the height, width and depth of the opening, making sure to include baseboards, molding tile, countertop overhang, etc. Check to be sure there is enough room to open the door (consider walls, islands or other obstacles when measuring).
2. Refer to illustration below to determine dimensions.
3. Allow $11\frac{3}{8}$ " of clearance on hinge side of refrigerator when installing next to a wall where door may make contact.
4. Allow 2" minimum clearance at rear for proper air circulation and water/electrical connections. Allow a $\frac{3}{8}$ " minimum clearance at sides and top for ease of installation.
5. Ensure each door and entryway in the home is wide enough for the refrigerator to be moved through easily.

For optimal usage and to be able to open refrigerator doors completely, do not install next to a wall.

Please note: The following dimension and cutout information is for planning purposes only. For complete installation details, consult manual packed with product, or download manual online at samsung.com.



Dimensions



Total Capacity: 22.8 cu. ft.

Refrigerator: 13.5 cu. ft.

- 4 Tempered Glass Spill-Proof Shelves
- 2 Clear Drawers including Crisper+
- 8 Door Bins
 - Right: 1 Gallon Bin, 2 Regular Bins
 - Left: 3 Regular Bins
- Surface Lighting

FlexZone™ Drawer: 2.5 cu. ft.

- 5 Temperature Zones
 - Soft Freeze (-5 C)
 - Meat/Fish (-1 C)
 - Cold Drinks (1 C)
 - Deli/Snacks (2.8 C)
 - Wine/Party Dishes (5 C)
- 2 Drawer Dividers
- High Efficiency LED Lighting

Freezer: 6.8 cu. ft.

- Dual Ice Maker in Freezer (Cubed Ice AND Ice Bites™)
- Ice Bucket with Cover and 1 Scoop
- Produces up to 5.4 lbs ice/day, stores up to 7.3 lbs
- High Efficiency LED Lighting

Accessories

Water Filter: HAF-QIN

Volt/Amps	115V / 60Hz / 3.5A
Power Cord Length	2 meters

Warranty

One (1) Year Parts and Labour on Refrigerator
Ten (10) Years Parts on Digital Inverter Compressor

Product Dimensions & Weight (WxHxD)

Dimensions (WxHxD with hinges, handles and doors):

$35\frac{6}{8}$ " x 70 " x $28\frac{6}{8}$ "

Dimensions (WxHxD without hinges and door):

$35\frac{6}{8}$ " x $68\frac{7}{8}$ " x 24 "

Dimensions (WxHxD with hinge and door, no handle):

$35\frac{6}{8}$ " x 70 " x $28\frac{6}{8}$ "

Weight: 313.1 lbs (142 kg)

Shipping Dimensions & Weight (WxHxD)

Dimensions: $38\frac{1}{4}$ " x $76\frac{3}{4}$ " x $30\frac{5}{8}$ "

Weight: 335.1 lbs (152 kg)

Style	Model #	UPC
Without Panels	RF23BB8600APAA	887276624204
Pre-Built Stainless Steel Panels	RF23BB8600QLAA	887276624211