

RF23A9671SR

SAMSUNG

4-Door Flex Counter-Depth Refrigerator with Beverage Center and Dual Auto Ice Maker
22.8 cu. ft.



Signature Features

Beverage Center™

Consists of a BPA Free¹ Autofill Water Pitcher that fills up automatically and a regular Water Dispenser for easy access to a glass of cold, flavoured water.

Dual Auto Ice Maker

Be prepared for any occasion with two different types of ice. The Dual auto ice maker makes both cubed ice and ice bites.

UV Deodorizing Filter

New built-in deodorizing filter reduces unpleasant odours caused by bacteria in your fridge. And the UV light in the filter system keeps the filter clean all the time.



Flexible Storage

Keep your food fresh in the right places. The FlexZone™ is an independently controlled compartment with five different temperature modes: Freeze, Soft Freeze, Meat/Fish, Fruit/Veggies and Beverage. You can also store meat or fish in the Flex Crisper and fruits and vegetables in the Crisper.

Triple + Metal Cooling

Ensure food stays moist and fresh for longer.² Triple Cooling system optimizes the temperature and humidity in the fridge and freezer with independent cooling. It preserves food better and protects its flavour by preventing odours from mixing. Precise Cooling system minimizes temperature fluctuation and the Metal Cooling plate efficiently reserves cool air inside the fridge.

Available Colours

-  Fingerprint Resistant Stainless Steel (shown)
-  Fingerprint Resistant Black Stainless Steel



Beverage Center™ with AutoFill™ Water Pitcher



Dual Ice Maker with Cubed Ice and IceBites™



Triple + Metal Cooling

Features

- 36" Wide
- Large Storage Capacity – 22.8 cu. ft.
- Triple Cooling + Metal Cooling™
- FlexZone™
- FlexCrisper™
- UV Deodorizing Filter
- Tempered Glass Spill-Proof Shelves
- Fingerprint Resistant Finish

Convenience

- Beverage Center
- Autofill Pitcher
- Water Dispenser
- Dual Auto Ice Maker
- Door Alarm
- Wi-Fi Connectivity

Rating



- ENERGY STAR® - Rated
- Energy Consumption (annual) = 634 kWh/yr

¹ Does not contain the chemical Bisphenol A.

² As compared to Samsung fridge without Triple Cooling System.

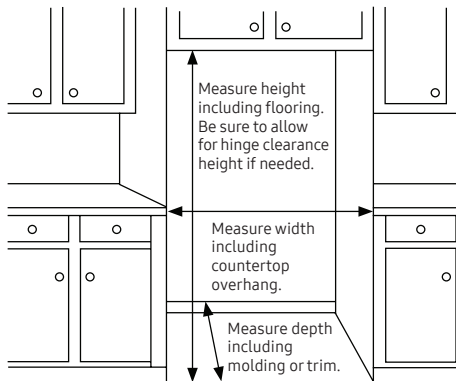
4-Door Flex Counter-Depth Refrigerator with Beverage Center and Dual Auto Ice Maker 22.8 cu. ft.

Installation Specifications

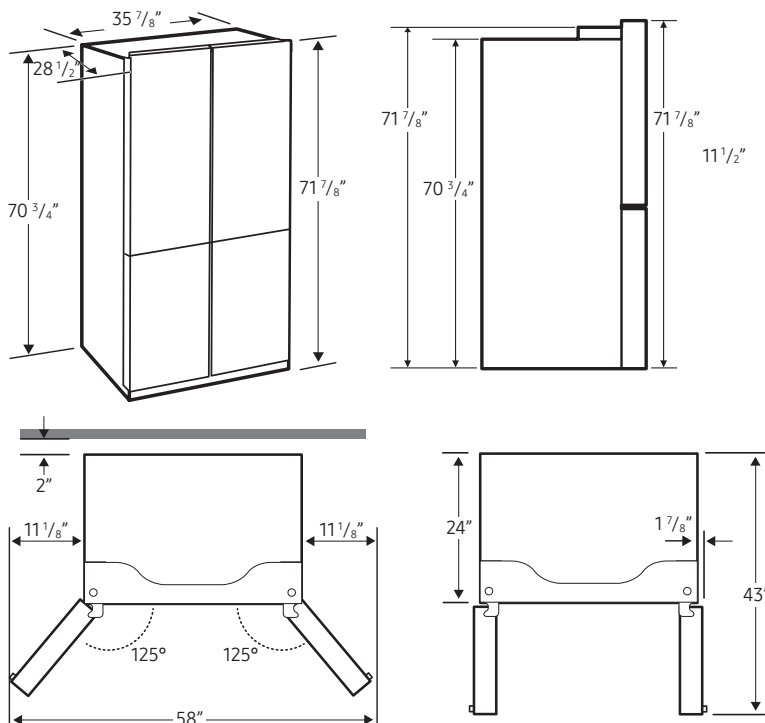
1. Measure the height, width and depth of the opening, making sure to include baseboards, molding tile, countertop overhang, etc. Check to be sure there is enough room to open the door (consider walls, islands or other obstacles when measuring).
2. Refer to illustration below to determine dimensions.
3. Allow $11\frac{1}{8}$ " of clearance on hinge side of refrigerator when installing next to a wall where handle may make contact.
4. Allow 2" minimum clearance at rear for proper air circulation and water/electrical connections. Allow a $\frac{3}{8}$ " minimum clearance at sides and top for ease of installation.
5. Ensure each door and entryway in the home is wide enough for the refrigerator to be moved through easily.

For optimal usage and to be able to open refrigerator doors completely, do not install next to a wall.

Please note: The following dimension and cutout information is for planning purposes only. For complete installation details, consult manual packed with product, or download manual online at samsung.com.



Dimensions



Total Capacity: 22.8 cu. ft.

Refrigerator: 14 cu. ft.

- Left Door Beverage Center
- Autofill Water Pitcher
 - Water Dispenser
- Triple Cooling and Metal Cooling
- 2 Crispers (Flex Crisper™, Crisper+)
- 4 Tempered Glass Shelves
- 6 Door Bins
- UV Deodorizing Filter

Freezer: 8.8 cu. ft.

- Right Freezer:
- FlexZone™
- -15°C to -23°C (Freeze)
 - -5°C (Soft Freeze)
 - -1°C (Meat · Fish)
 - 2°C (Fruits · Veggies)
 - 5°C (Chill)
- 2 Slide-out shelves
- 1 Drawer Bin
- Left Freezer:
- Auto Dual Ice Maker (Cubed Ice, IceBites™)
- 2 Slide-out shelves
- 1 Drawer Bin

Volt/Amps	115V / 60Hz / 3.5A
Power Cord Length	2 meters

Warranty

One (1) Year Parts and Labour on Refrigerator
Ten (10) Years Parts on Digital Inverter Compressor

Product Dimensions & Weight (WxHxD)

Dimensions (WxHxD with hinges, handles and doors):

35 ⁷/₈" x 71 ⁷/₈" x 28 ¹/₂"

Dimensions (WxHxD without hinges and door):

35 ⁷/₈" x 70 ³/₄" x 24"

Dimensions (WxHxD with hinge and door, no handle):

35 ⁷/₈" x 71 ⁷/₈" x 28 ¹/₂"

Weight: 313.1 lbs (142 kg)

Shipping Dimensions & Weight (WxHxD)

Dimensions: 38 ¹/₄" x 78 ⁵/₈" x 30 ³/₅"

Weight: 335.1 lbs (152 kg)

Colour

Stainless Steel
(Counter-Depth)

Black Stainless Steel
(Counter-Depth)

Stainless Steel

Black Stainless Steel

Model

RF23A9671SR

RF23A9671SG

RF29A9671SR

RF29A9671SG

UPC Code

887276525631

887276525617

887276525754

887276525747