

# NZ30K6330RS

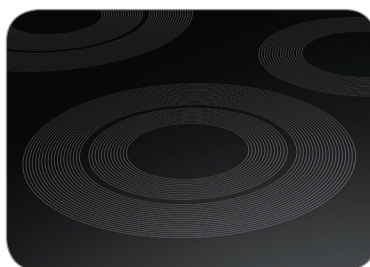
## 30" Electric Cooktop

### Features

- WiFi Connectivity
- Flexible Cooktop:
  - Rapid Boil™ Burner (3.3 kW)
  - Two Dual Burners (9"/6" and 8"/5")
  - Two Single Burners (7")
- 9.5 kW Total Power

### Convenience

- Hot Surface Indicator Light
- Easy-To-Clean Glass, Ceramic Cooktop
- Dishwasher-Safe Knobs



Rapid Boil™



LED Illuminated Backlit Knobs

### Available Colors



Stainless Steel (shown)



Black Stainless Steel

### Signature Features

#### RAPID BOIL™

- Up to 3.3 kW power burner offers intense heat and precise control to quickly boil water or maintain a low even simmer.

#### FLEXIBLE COOKTOP

- Whether you're boiling water, melting chocolate or simmering sauce, there's a burner for your needs.

#### LED ILLUMINATED BACKLIT KNOBS

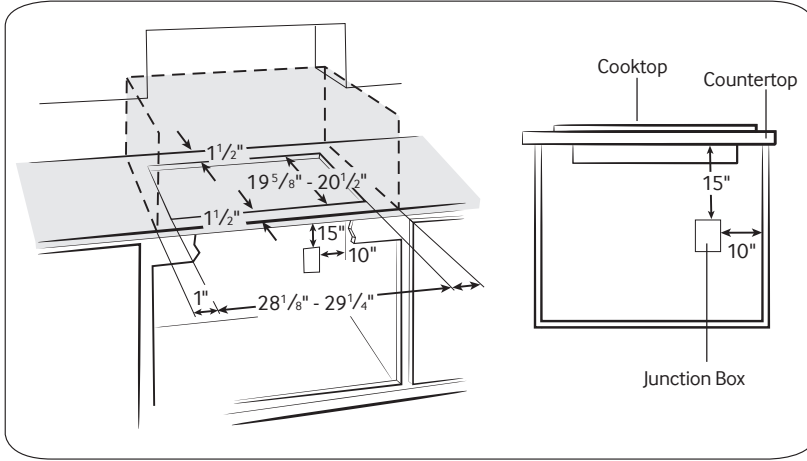
- Visually lets you know your cooktop is on, even at a distance.

# NZ30K6330RS

## 30" Electric Cooktop

### Installing Your Cooktop

Can be installed over a single oven.



### Total Power

9.5 kW

### Power Source

240V/60Hz/45 Amps

### Electric Cooktop

- Left Front: 7", 1.5 kW
- Left Rear: 7", 1.5 kW
- Right Front: 8"/5", 2 kW
- Right Rear: 6", 1.2 kW (Melt)
- Center: 9"/6", 3.3 kW (Simmer to Rapid Boil™)

### Warranty

One (1) Year All Parts and Labor

### Product Dimensions & Weight (WxHxD)

Outside (Max) Cooktop Dimensions:

30" x 5 1/16" x 21 1/4"

Cooktop Cut-Out Dimensions:

28 1/2" x 5 1/16" x 19 5/8"

Weight: 35.7 lbs.

### Shipping Dimensions & Weight (WxHxD)

Dimensions:

34 3/16" x 8 1/2" x 25 1/16"

Weight: 48.5 lbs.

### Color

Stainless Steel

### Model #

NZ30K6330RS

### UPC Code

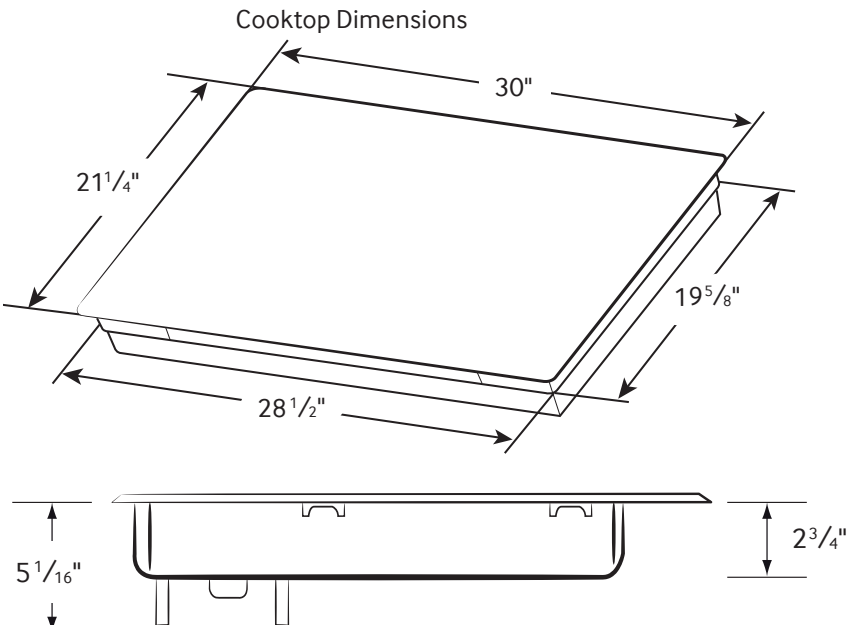
887276183329

Black Stainless Steel

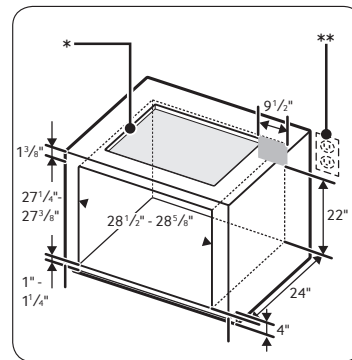
NZ30K6330RG

887276183312

### Dimensions



### Cutout Dimensions of Countertop



\* See built-in oven installation for complete installation instructions. See label on top of approved built-in oven models.

\*\* Refer to installation manual of oven.

**SAMSUNG**

Actual color may vary. Design, specifications, and color availability are subject to change without notice. Non-metric weights and measurements are approximate.

©2016 Samsung Electronics America, Inc. 85 Challenger Road, Ridgefield Park, NJ 07660. Tel: 800-SAMSUNG. samsung.com. Samsung is a registered trademark of Samsung Electronics Co., Ltd.