

NX58H5600SS

5.8 cu. ft. Freestanding Gas Range with Convection

Features

- 5 Gas Burners
 - Right Front: 17K BTU
 - Left Front: 15K BTU
 - Right Rear: 5K BTU
 - Left Rear: 9.5K BTU
 - Center: 9.5K BTU (Oval with Griddle)
- Large Oven Capacity – 5.8 cu. ft.
- Cast Iron 3-Piece Grates
- Griddle
- Convection Oven
- Storage Drawer

Convenience

- Auto Oven Light
- Auto Shut-Off Option
- Proofing
- Sabbath Mode
- Delay Start
- Child Safety Lock
- Self Clean
- 4 Easy Cook Presets
- 2 Chrome Oven Racks



Versatile Cooktop



Convection Oven

Available Colour:



Stainless Steel

Signature Features

CONVECTION OVEN

- The convection fan system is great for baking and broiling because heat is distributed thoroughly and food cooks evenly. Enjoy faster results each time.

GRIDDLE

- Cook a variety of breakfast foods or grilled sandwiches at once on the removable stovetop griddle.

LARGE CAPACITY

- Our extra-spacious 5.8 cu. ft. large-capacity oven easily handles turkey roasters and large baking sheets.



Ranked **“Highest in Customer Satisfaction with Ranges, Cooktops and Ovens.”***

—J.D. Power

SAMSUNG

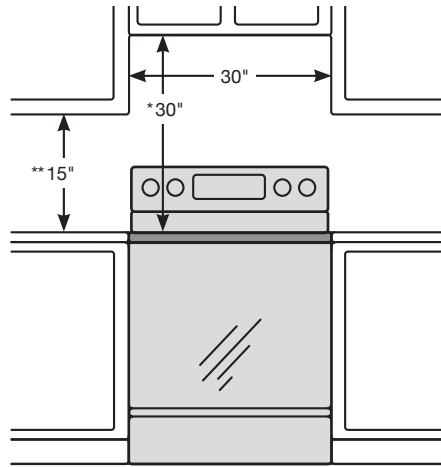
NX58H5600SS

5.8 cu. ft. Freestanding Gas Range with Convection

Installing Your Range

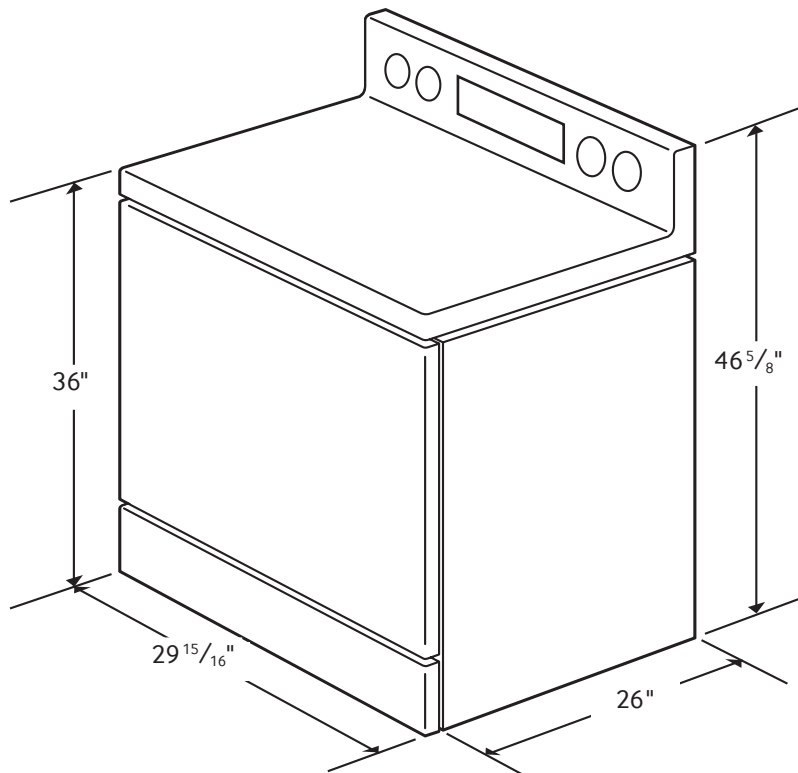
*30" minimum clearance between the top of the cooking surface and the bottom of an unprotected wood or metal cabinet; or 24" minimum when the bottom of the wood or metal cabinet is protected by not less than 1/4" flame retardant millboard covered with not less than no.28 MSG sheet steel, 0.015" stainless steel, 0.024" aluminum or 0.020" copper.

**15" minimum between the countertop and the adjacent cabinet bottom.



IMPORTANT: To eliminate the risk of burns or fire caused by reaching over heated surface units, cabinet storage space located above the surface units should be avoided. If cabinet storage is to be provided, the risk can be reduced by installing a range hood that projects horizontally a minimum of 5" beyond the bottom of the cabinets.

Dimensions



Total Power (BTU)

56,000 BTU

Power Source

120 V/60 Hz

Black Enamel 5 Burner Cooktop

- Right Front: 17000 BTU
- Left Front: 15000 BTU
- Right Rear: 5000 BTU
- Left Rear: 9500 BTU
- Centre Rear: 9500 BTU (Oval with Cast Iron Griddle)

Oven

- Bake: 150°F - 550°F (66°C - 288°C)
- Convection Bake: 150°F - 550°F (66°C - 288°C)
- Bake Burner: 18000 BTU
- Broil Burner: 13500 BTU
- Convection Roast: 150°F - 550°F (66°C - 288°C)
- Proofing
- Sabbath Mode

Storage Drawer

Capacity: 0.7 cu. ft.

Warranty

One (1) Year All Parts and Labour

Five (5) Years Gas Cooktop

Product Dimensions & Weight (WxHxD)

Actual Oven Dimensions:

25" x 19" x 21¹/₈"

Outside Net Dimensions:

29¹⁵/₁₆" x 46⁵/₈" x 26"

Weight: 207 lbs.

Shipping Dimensions & Weight (WxHxD)

Dimensions:

33¹/₆" x 50⁵/₈" x 30⁵/₁₆"

Weight: 233 lbs.

Colour

Stainless Steel

Model #

NX58H5600SS

UPC Code

887276977430

SAMSUNG

*Samsung received the highest numerical score for ranges, cooktops and ovens in the proprietary J.D. Power 2014 Kitchen Appliance StudySM Study based on 15,380 total responses measuring 17 ranges, cooktops and oven brands and measures opinions of consumers about their new appliance purchased in the past 24 months. Proprietary study results are based on experiences and perceptions of consumers surveyed in January-March 2014. Your experiences may vary. Visitjdpower.com.

Actual colour may vary. Design, specifications, and colour availability are subject to change without notice. Non-metric weights and measurements are approximate. Clearance requirements are the recommended minimum only. Check the regulations and codes in your area for any additional requirements.

© 2015 Samsung Electronics Canada Inc. All rights reserved. Samsung is a registered trademark of Samsung Electronics Co., Ltd., used with permission.