

NSI6DB990012AC

6.3 cu. ft. Induction Slide-in Range with Oven Camera and Ambient Lighting



Signature Features

7" LCD AI Hub™

Get recipe recommendations, search for and follow video recipes, listen to music on the range's built in speakers, and access your other favourite apps like your video doorbell, all from the 7" LCD AI Hub™ screen. The advanced AI analyzes your usage patterns to provide personalized recipe suggestions and cooking tips.

Smart Oven Camera Inside

Check on meals as they cook anytime, anywhere with Smart Oven Camera inside. Share time-lapse videos to your social media to show off your culinary skills.

Ambient Edge Lighting™

Know when your cooktop is on or if your food is still cooking with Ambient Edge Lighting™. When your range is not in use, enhance the ambiance of your kitchen by customizing mood lighting through SmartThings.

Auto Open Door Design

Open the seamless, handle-free oven door automatically with a simple touch* on the control panel or voice command** for a design that flawlessly fits into your kitchen.

Available Colours



White Glass (shown)



Stainless Steel



Air Fry



True Convection

Features

- Intelligent User Experience
- True Convection
- Bread Proof 95°F (35°C)
- Wi-Fi Connectivity
- Embedded Voice Control
- 4.3 kW Induction Cooktop with 7" Sync Burner
- Auto Open Door Design
- Bespoke Design
- Ambient Edge Lighting™
- Convection Vegetable
- Dual Noise Cancellation
- Self and Steam Clean
- SmartThings Connectivity
- Download Cooking Modes
- Air Sous Vide
- Camera Oven
- Air Fry with Included Air Fry Tray
- Fingerprint Resistant Finish

- Storage Drawer
- 7" LCD Display AI Hub
- Anti-Scratch Matte Glass Cooktop
- Auto Open Door
- E-Star Ratings
- Smart Dial

Convenience

- Assist Cook
- Easy Preset Cook Options
- Auto Shut-Off Option
- Smart Control
- LCD Touch Controls
- Sabbath Mode
- Temperature Mode
- Proofing
- Child Safety Lock
- Simmer/Melt

(1) Available on Android and IOS Devices through the SmartThings App.

(2) A Wi-Fi connection is required.

(3) Bixby is Samsung's brand of artificial intelligence (AI) / Internet of Things (IoT) voice assistant. A Samsung account is required.

NSI6DB990012AC

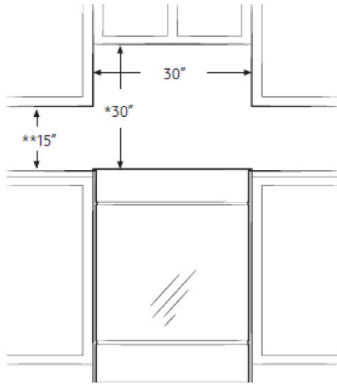
6.3 cu. ft. Induction Slide-in Range with Oven Camera and Ambient Lighting

Installation Specifications

IMPORTANT: To eliminate the risk of burns or fire caused by reaching over heated surface units, avoid having cabinet storage space located above the surface units. If you have cabinet storage space over the heating elements, you can reduce the risk by installing a range hood that projects horizontally a minimum of 5 inches beyond the bottom of the cabinets.

* A minimum of 30" is required between the top of the cooking surface and the bottom of an unprotected wood or metal cabinet; a minimum of 24" is required if the bottom of the wood or metal cabinet is protected by not less than 1/4" of flame retardant millboard covered with not less than no.28 MSG of sheet steel, 0.015" of stainless steel, 0.024" of aluminum, or 0.020" of copper.

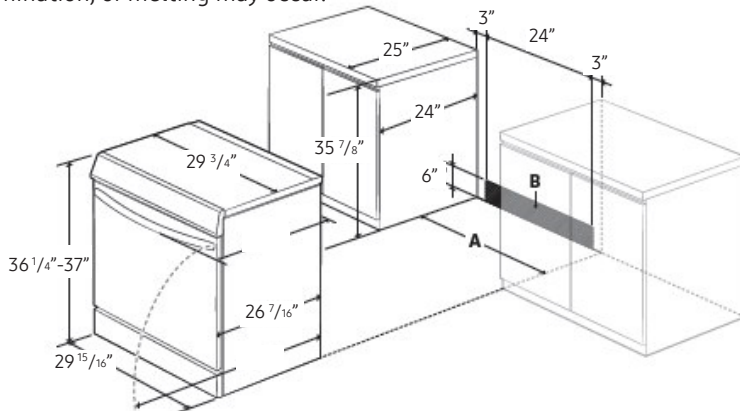
** A minimum of 15" is required between the countertop and the adjacent cabinet bottom.



SLIDE-IN CUTOUT

Dimensions

CAUTION: This range has been designed to comply with the maximum allowable wood cabinet temperatures of 194°F. Make sure the wall covering, countertops, and cabinets around the range can withstand the heat (up to 194 °F) generated by the range. If not, discolouration, delamination, or melting may occur.



Power Source

240V/60Hz/40A

Radiant Ceramic Cooktop

Right Front: 11", 2400W (Boost 4300W)

Left Front: 7", 1800W (Boost 2300W) - Sync

Right Rear: 6", 1200W (Boost 2000W)

Left Rear: 7", 1800W (Boost 2300W) - Sync

Left Sync Burner (Front + Rear): 7" - 7" Sync
3200W (Boost 3600W)

Oven: 6.3 cu. ft. Capacity

Bake Element: 3000W

Broil Element: 4200W

Bake: 175°F - 550°F

Convection Bake: 175°F - 550°F

Convection Roast: 175°F - 550°F

Convection Vegetable: 350°F - 450°F

Air Fry: 350°F - 500°F

Air Sous Vide: 100°F - 205°F

Download Cooking Mode

- Turkey: 300°F - 500°F

- Spicy Rib: 300°F - 500°F

- Pizza & Naan: 350°F - 500°F

- Seafood: 250°F - 450°F

- Brownie: 300°F - 450°F

Convection Element/Heater: 800W

Storage Drawer

Capacity: 0.9 cu. ft.

Warranty

One (1) Year Parts and Labour

Product Dimensions & Weight (WxHxD)

Outside Net Dimensions: 29¹⁵/₁₆" x 36¹/₄" ~ 37" x 26⁷/₁₆"

Net Weight: 182.98 lb (83 kg)

Shipping Dimensions & Weight (WxHxD)

Dimensions: 33¹/₁₆" x 41¹/₈" x 30⁵/₁₆"

Shipping Weight: 202.83 lb (92 kg)

Colour

White Glass

Stainless Steel

Model

NSI6DB990012AC

NSI6DG9900SRAC

UPC

887276821641

887276821696