

# NSE6DG8700SRAC

SAMSUNG

## 6.3 cu. ft. Electric Slide-in Range with Oven Camera and Illuminated Knobs



### Signature Features

#### Smart Oven Camera Inside

Check on meals as they cook anytime, anywhere with Smart Oven Camera inside. Share time-lapse videos to your social media to show off your culinary skills.

#### Illuminated Precision Knobs

Precisely control and ensure proper activation of your cooktop with the Illuminated Precision Knobs that must be pinched in before the knobs can be pushed and turned. This range's knobs will also light up when in use to let you know that your cooktop is on.

#### Air Sous Vide

Lock in flavour and moisture and avoid overcooking using Air Sous Vide.

#### Air Fry

Enjoy healthier fried foods with Air Fry built right into your oven. Air Fry tray included.

### Available Colours



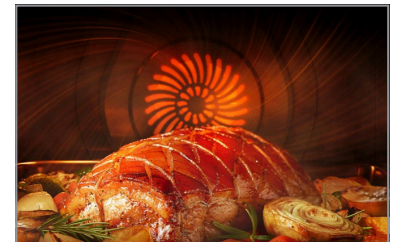
Stainless Steel (shown)



White Glass



Air Fry



True Convection

### Features

- Intelligent User Experience
- True Convection
- Bread Proof 95°F (35°C)
- Wi-Fi Connectivity
- Voice Control
- Bespoke Design
- Convection Vegetable
- Self and Steam Clean
- Smart Oven Camera Inside
- SmartThings Connectivity
- Express Boil™
- Download Cooking Modes
- Air Sous Vide
- Air Fry with Included Air Fry Tray
- Fingerprint Resistant Finish
- Illuminated Precision Knobs
- Storage Drawer
- 2.25" Mono LCD
- Smart Dial

### Convenience

- Easy Preset Cook Options
- Smart Control
- Smart Install
- Sabbath Mode

(1) Available on Android and IOS Devices through the SmartThings App.

(2) A Wi-Fi connection is required.

(3) Bixby is Samsung's brand of artificial intelligence (AI) / Internet of Things (IoT) voice assistant. A Samsung account is required.

# NSE6DG8700SRAC

SAMSUNG

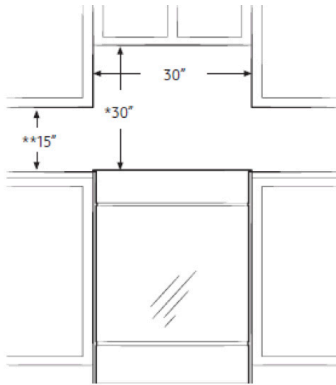
## 6.3 cu. ft. Electric Slide-in Range with Oven Camera and Illuminated Knobs

### Installation Specifications

**IMPORTANT:** To eliminate the risk of burns or fire caused by reaching over heated surface units, avoid having cabinet storage space located above the surface units. If you have cabinet storage space over the heating elements, you can reduce the risk by installing a range hood that projects horizontally a minimum of 5 inches beyond the bottom of the cabinets.

\* A minimum of 30" is required between the top of the cooking surface and the bottom of an unprotected wood or metal cabinet; a minimum of 24" is required if the bottom of the wood or metal cabinet is protected by not less than 1/4" of flame retardant millboard covered with not less than no.28 MSG of sheet steel, 0.015" of stainless steel, 0.024" of aluminum, or 0.020" of copper.

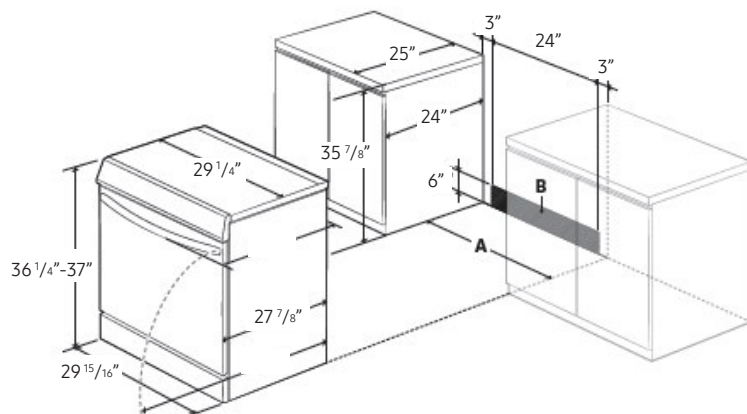
\*\* A minimum of 15" is required between the countertop and the adjacent cabinet bottom.



### SLIDE-IN CUTOUT

#### Dimensions

**CAUTION:** This range has been designed to comply with the maximum allowable wood cabinet temperatures of 194°F. Make sure the wall covering, countertops, and cabinets around the range can withstand the heat (up to 194 °F) generated by the range. If not, discolouration, delamination, or melting may occur.



### Power Source

240V/60Hz/40A

Able to function on 208V with decreased functionality

### Radiant Ceramic Cooktop

Right Front: 6"/9"/12" - 3000W

Left Front: 6"/9" - 3600W Express Boil

Right Rear: 6" - 1200W

Left Rear: 6" - 1200W

Center Rear: 6" Warm Zone (100W)

### Oven: 6.3 cu. ft. Capacity

Bake Element: 3000W

Broil Element: 4200W

Bake: 175°F - 550°F

Convection Bake: 175°F - 550°F

Convection Roast: 175°F - 550°F

Convection Vegetable: 350°F - 450°F

Broil: (Low - High)

Air Fry: 350°F - 500°F

Air Sous Vide: 100°F - 205°F

Download Cooking Mode

- Turkey: 300°F - 500°F

- Spicy Rib: 300°F - 500°F

- Pizza & Naan: 350°F - 500°F

- Seafood: 250°F - 450°F

- Brownie: 300°F - 450°F

Convection Heater: 800W

### Storage Drawer

Capacity: 0.9 cu. ft.

### Warranty

One (1) Year Parts and Labour

### Product Dimensions & Weight (WxHxD)

Outside Net Dimensions: 29<sup>15</sup>/<sub>16</sub>" x 36<sup>1</sup>/<sub>4</sub>" ~ 37" x 27<sup>7</sup>/<sub>8</sub>"

Net Weight: 170.2 lb (77.2 kg)

### Shipping Dimensions & Weight (WxHxD)

Dimensions: 33<sup>1</sup>/<sub>16</sub>" x 41<sup>1</sup>/<sub>8</sub>" x 30<sup>5</sup>/<sub>16</sub>"

Shipping Weight: 189.82 lb (86.1 kg)

### Colour

Stainless Steel

White Glass

### Model #

NSE6DG8700SRAC

NSE6DB870012AC

### UPC

887276821627

887276821573