

# NQ70CG700D

SAMSUNG

## Bespoke 30" Microwave Combination Wall Oven



### Available Colours

-  Stainless Steel  
NQ70CG700DSR
-  Matte Black  
NQ70CG700DMT
-  White Glass  
NQ70CB700D12

### Design

- Push to Open
- Full Glass Door
- Drop-Down Door Design
- Modern Design

### Features

- AI Pro Cooking™ Camera:
  - Monitor food
  - Recognize ingredients
  - Record time lapse videos
- Flex Duo™ (Oven)
- Air Sous Vide (Oven)
- Air Fry, Tray Included (Oven)
- Steam Cook Plus (Oven)
- Convection Vegetable (Oven)
- Steam Cook (Oven)
- 7-Inch LCD Display
- Digital Touch Controls
- Wi-Fi Connectivity
- Dual Convection
- Guided Cook
- Steam Clean & Self-Clean (Oven)
- LED Lights
- 2 Heavy-Duty Racks
- Gliding Rack
- Broil Element
- 6 Rack Positions (Oven)

### Convenience

- Sabbath Mode (Oven)
- Delay Start (Oven)
- Child Safety Lock
- Warming Mode
- Kitchen Timer

### Specifications

#### Microwave Capacity: 1.9 cu. ft.

- Sensor Cook
- Speed Power Convection: 100°F–450°F
- Speed Broil
- Air Fry Auto Cook

#### Oven Capacity: 5.1 cu. ft.

- Hidden Bake Element
- Convection Bake: 175°F–550°F
- Convection Roast: 175°F–550°F
- Convection Vegetables: 350°F–450°F
- Steam Cook Plus: 230°F–550°F
- Steam Roast: 230°F–550°F
- Steam Cook: 230°F–550°F
- Bake: 175°F–550°F
- Broil: Low-High
- Air Sous Vide: 100°F–205°F
- Air Fry: 350°F–500°F
- Steam Proof
- Dehydrate

### Dimensions

#### Product Dimensions & Weight (WxHxD)

Outside (Max) Wall Oven Dimensions:

29<sup>3</sup>/<sub>4</sub>" x 43<sup>1</sup>/<sub>4</sub>" x 24<sup>3</sup>/<sub>8</sub>"

Wall Oven Cut-Out Dimensions:

28<sup>5</sup>/<sub>8</sub>" x 42<sup>1</sup>/<sub>4</sub>" x 23<sup>1</sup>/<sub>2</sub>"

Weight: 278.9 lb (126.5 kg)

#### Shipping Dimensions & Weight (WxHxD)

Dimensions: 33<sup>3</sup>/<sub>4</sub>" x 48<sup>1</sup>/<sub>4</sub>" x 29<sup>7</sup>/<sub>16</sub>"

Weight: 308.6 lb (140 kg)

### Warranty

One (1) Year Parts and Labour\*

\*Effective for purchases made between 10/1/22 - 9/30/23; proof of purchase required.

### UPC

Microwave Combination Wall Oven	Model #	UPC
Stainless Steel	NQ70CG700DSR	887276757629
Matte Black	NQ70CG700DMT	887276757612
White Glass	NQ70CB700D12	887276757582

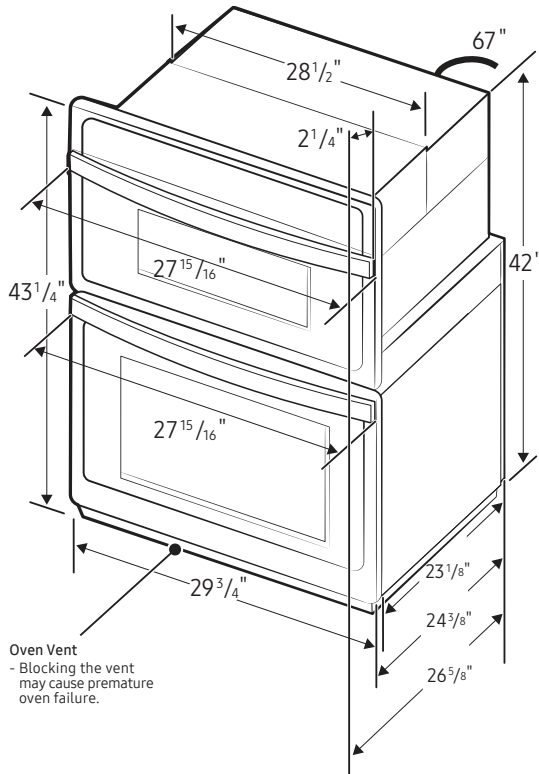


# NQ70CG700D

SAMSUNG

## Bespoke 30" Microwave Combination Wall Oven

### Product Dimensions



### Electrical Requirements

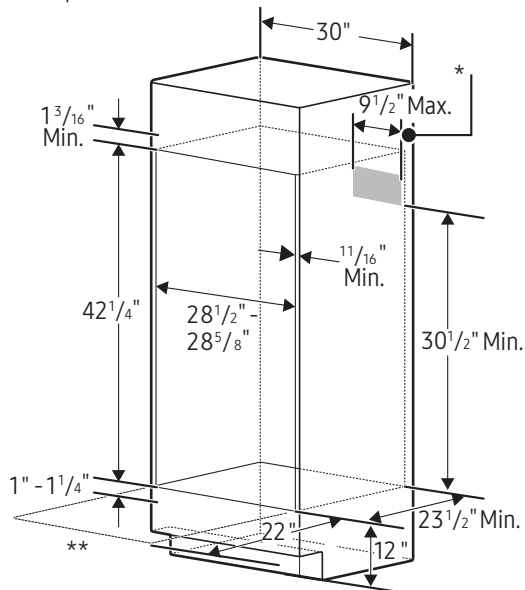
KW RATING	
240V	9.5 kW
208V	7.2 kW
BREAKER SIZE	
240V	40 Amps
208V	30 Amps

### Cabinet Dimensions

#### Combination Oven Installed in Cabinet

\* Junction Box.

\*\* Allow a minimum of 22" for clearance to adjacent corners, drawers, walls, etc. when door is open



#### Combination Oven Flush Installed in Cabinet

