

NQ70CG600D

SAMSUNG

30" Microwave Combination Wall Oven



Design

- Drop-Down Door Design
- Transitional Design

Available Colour



Stainless Steel
NQ70CG600DSR

Features

- Steam Cook (Oven)
- Air Sous Vide (Oven)
- Air Fry, Tray Included (Oven)
- Convection Vegetable (Oven)
- Wi-Fi Connectivity
- Dual Convection
- Digital Touch Controls
- 7-Inch LCD Display
- Steam Clean & Self-Clean (Oven)
- Halogen Lights
- 2 Heavy-Duty Racks
- Gliding Rack
- Broil Element
- 6 Rack Positions (Oven)

Convenience

- Sabbath Mode (Oven)
- Delay Start (Oven)
- Child Safety Lock
- Warming Mode
- Kitchen Timer

Specifications

Microwave Capacity: 1.9 cu. ft.

- Sensor Cook
- Speed Convection
- Speed Broil
- Air Fry Auto Cook

Oven Capacity: 5.1 cu. ft.

- Hidden Bake Element
- Convection Bake: 175°F–550°F
- Convection Roast: 175°F–550°F
- Convection Vegetables: 350°F–450°F
- Bake: 175°F–550°F
- Broil: Low-High
- Air Sous Vide: 100°F–205°F
- Air Fry: 350°F–500°F
- Steam Proof
- Dehydrate

Dimensions

Product Dimensions & Weight (WxHxD)

Outside (Max) Wall Oven Dimensions:

29³/₄" x 43¹/₄" x 24³/₈"

Wall Oven Cut-Out Dimensions:

28⁵/₈" x 42¹/₄" x 23¹/₂"

Weight: 270.1 lb (122.52 kg)

Shipping Dimensions & Weight (WxHxD)

Dimensions: 33³/₄" x 48¹/₄" x 29⁷/₁₆"

Weight: 299.8 lb (136 kg)

Warranty

One (1) Year All Parts and Labour

UPC

Microwave Combination Wall Oven

Model #

UPC

Stainless Steel

NQ70CG600DSR

887276757605

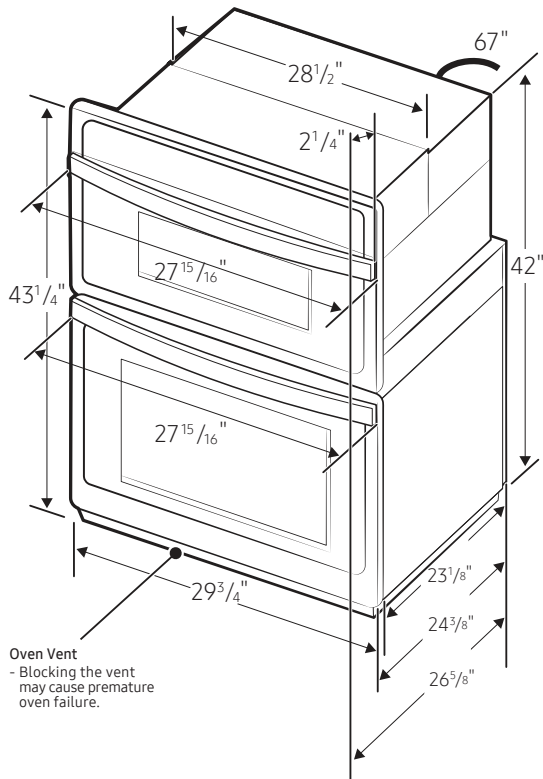


NQ70CG600D

SAMSUNG

30" Microwave Combination Wall Oven

Product Dimensions



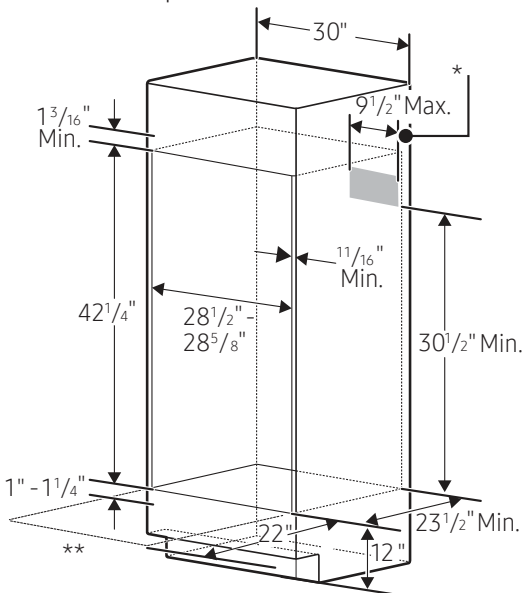
Electrical Requirements

KW RATING	
240V	8.2 kW
208V	6.2 kW
BREAKER SIZE	
240V	40 Amps
208V	30 Amps

Cabinet Dimensions

Combination Oven Installed in Cabinet

- * Junction Box.
- ** Allow a minimum of 22" for clearance to adjacent corners, drawers, walls, etc. when door is open



Combination Oven Flush Installed in Cabinet

