

# NE63T8911SG

SAMSUNG

## 6.3 cu. ft. Slide-In Induction Range



### Signature Features

#### Smart Dial

Simplified control panel remembers your cooking habits while offering intuitive messaging on an LCD with one knob and minimum buttons.

#### Air Fry

The ideal way to cook healthier fried food as it eliminates excess fat, but everything is still crispy and brown outside and juicy inside.

#### True Convection

A heated fan distributes heat all around the oven and keeps the temperature constant so dishes are cooked quickly and thoroughly.

#### Wi-Fi Connectivity and Voice Control

Monitor and control the oven using the SmartThings App<sup>1</sup>. And control the oven with your voice using a voice assistant<sup>2</sup>, such as Samsung Bixby<sup>3</sup>, Amazon Alexa or Google Assistant.

#### Fingerprint Resistant Finish

Prevents surfaces from being covered in unsightly fingerprints or marks and smudges.

### Available Colours



Fingerprint Resistant Black  
Stainless Steel (shown)



Fingerprint Resistant  
Stainless Steel



Air Fry



True Convection

### Features

- Smart Dial
- Air Fry with included Air Fry Rack
- True Convection
- Bread Proof 95°F (35°C)
- Wi-Fi Connectivity and Voice Control
- Fingerprint Resistant Finish
- Slide-In Design
- Flexible Cooktop – 4 Induction Elements
- Large Oven Capacity: 6.3 cu. ft.
- Storage Drawer
- Hidden Bake Element

### Convenience

- Self & Steam Clean
- Illuminated Knobs
- Auto Oven Light
- Proofing
- Kitchen Timer
- Delay Start
- Auto Shut-Off Option
- Child Safety Lock
- Easy Preset Cook Options
- Sabbath Mode
- Temperature Probe

<sup>1</sup>Available on Android and iOS devices. A Wi-Fi connection and a Samsung account are required.

<sup>2</sup>A Wi-Fi connection is required.

<sup>3</sup>Bixby is Samsung's brand of artificial intelligence (AI) / Internet of Things (IoT) voice assistant. A Samsung account is required.

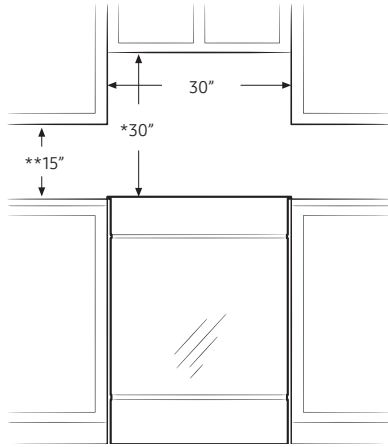
# NE63T8911SG

SAMSUNG

## 6.3 cu. ft. Slide-In Induction Range

### Installation Specifications

**IMPORTANT:** To eliminate the risk of burns or fire caused by reaching over heated surface units, avoid having cabinet storage space located above the surface units. If you have cabinet storage space over the heating elements, you can reduce the risk by installing a range hood that projects horizontally a minimum of 5 inches beyond the bottom of the cabinets.



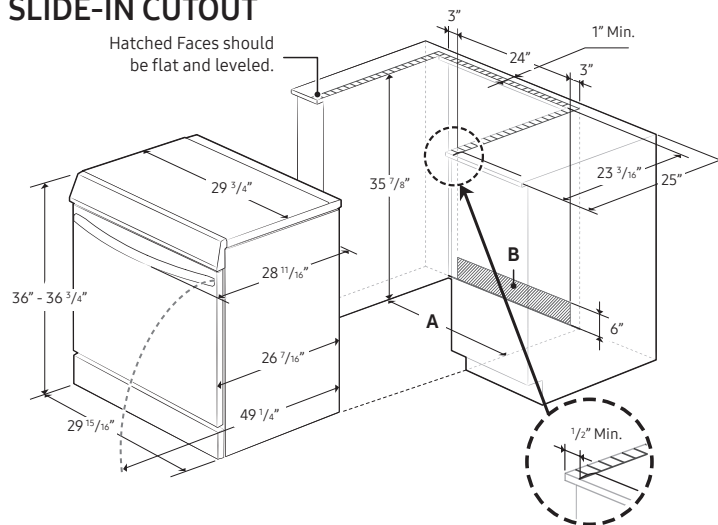
\* A minimum of 30" is required between the top of the cooking surface and the bottom of an unprotected wood or metal cabinet; a minimum of 24" is required if the bottom of the wood or metal cabinet is protected by not less than 1/4" of flame retardant millboard covered with not less than no.28 MSG of sheet steel, 0.015" of stainless steel, 0.024" of aluminum, or 0.020" of copper.

\*\* A minimum of 15" is required between the countertop and the adjacent cabinet bottom.

### Dimensions

**CAUTION:** This range has been designed to comply with the maximum allowable wood cabinet temperature of 194 °F (90 °C). Make sure the wall covering, countertops, and cabinets around the range can withstand the heat (up to 194 °F [90 °C]) generated by the range. If not, discolouration, delamination, or melting may occur.

### SLIDE-IN CUTOUT



### Power Source

240V/60Hz/40A

### Cooktop

Right Front: 11", 2.4Kw (Boost 4.2Kw) with Virtual Flame  
Left Front: 7", 1800W (Boost 2300W)  
Right Rear: Boost 2000W  
Left Rear: 7" 1800W (Boost 2300W)

### Oven

Hidden Bake Element: 3000W  
Bake: 175°F - 550°F  
Convection Bake: 175°F - 550°F  
Convection Roast: 175°F - 550°F  
Broil: (Low - High)  
Convection Element/Heater: 800W  
Proofing  
Sabbath Mode

### Storage Drawer

Capacity: 1.0 cu. ft.

### Warranty

One (1) Year Parts and Labour

### Product Dimensions & Weight (WxHxD)

Outside Net Dimensions: 29<sup>15/16</sup>" x 36 - 36<sup>3/4</sup>" x 28<sup>11/16</sup>"  
Weight: 219.8 lbs (99.7 Kg)

### Shipping Dimensions & Weight (WxHxD)

Dimensions: 33<sup>1/16</sup>" x 41<sup>3/4</sup>" x 30<sup>5/16</sup>"  
Weight: 245.6 lbs (111.4 Kg)

### Colour

Black Stainless Steel  
Stainless Steel

### Model #

NE63T8911SG  
NE63T8911SS

### UPC Code

887276415031  
887276415055