

NE63A6711SG

SAMSUNG

6.3 cu. ft. True Convection Electric Range with Wi-Fi and Air Fry



Signature Features

Air Fry

Enjoy better fried food with the Air Fry feature. With the provided Air Fry tray, the hot air circulation envelops the food placed on the tray.

Wi-Fi Connectivity and Voice Control

Monitor and control the oven using the SmartThings App¹. And control the oven with your voice using a voice assistant², such as Samsung Bixby³, Amazon Alexa or Google Assistant.

True Convection

A heated fan distributes heat all around the oven and keeps the temperature constant so dishes are cooked quickly and thoroughly.

Fingerprint Resistant Finish

Prevents surfaces from becoming covered in fingerprints and smudges.

Self Clean

A Self Cleaning system heats the cavity to a high temperature to burn off grease and food residue.

Available Colours



Black Stainless Steel (shown)



Stainless Steel



Bridge Element + Aluminum Griddle



Wi-Fi Connectivity and Voice Control

Features

- Flexible Cooktop
 - Five Electric Elements
 - 1 Triple Element (6"/9"/12")
 - 1 Bridge Element
 - 1 Single 6" Element
 - Warming Zone (7")
- Wide View Window
- Hidden Bake Element
- Storage Drawer
- Air Fry + Tray
- 2 Chrome Racks
- Flat Handle
- Aluminum Griddle

Convenience

- Wi-Fi Connectivity and Voice Control
- Delay Bake
- Hot Surface Indicator Light
- Auto Oven Light
- Kitchen Timer

¹ Available on Android and iOS devices. A Wi-Fi connection and a Samsung account are required.

² A Wi-Fi connection is required.

³ Bixby is Samsung's brand of artificial intelligence (AI) / Internet of Things (IoT) voice assistant. A Samsung account is required.

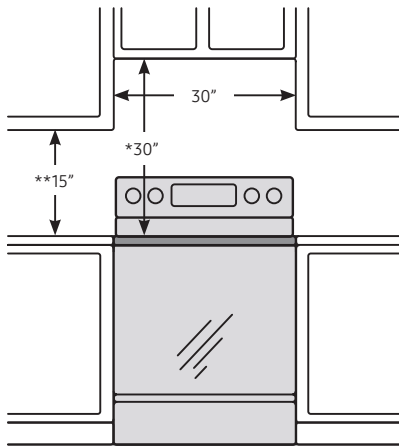
NE63A6711SG

SAMSUNG

6.3 cu. ft. True Convection Electric Range with Wi-Fi and Air Fry

Installation Specifications

IMPORTANT: To eliminate the risk of burns or fire caused by reaching over heated surface units, avoid having cabinet storage space located above the surface units. If you have cabinet storage space over the heating elements, you can reduce the risk by installing a range hood that projects horizontally a minimum of 5 inches beyond the bottom of the cabinets.



* A minimum of 30" is required between the top of the cooking surface and the bottom of an unprotected wood or metal cabinet; a minimum of 24" is required if the bottom of the wood or metal cabinet is protected by not less than 1/4" of flame retardant millboard covered with not less than no.28 MSG of sheet steel, 0.015" of stainless steel, 0.024" of aluminum, or 0.020" of copper.

** A minimum of 15" is required between the countertop and the adjacent cabinet bottom.

Radiant Ceramic Cooktop

Right Front: 6"/9"/12" Triple Element, 3000W

Left Front: Bridge Element, 1800W

Right Rear: 6" Element, 1200W

Left Rear: Bridge Element, 1800W

Oven

Capacity: 6.3 cu. ft.

Hidden Bake Element: 3000W

Bake: 175°F–550°F

Broil: Low/High, 4200W

Sabbath Mode

Storage Drawer

Capacity: 0.8 cu. ft.

Warranty

One (1) Year Parts and Labour

Product Dimensions & Weight (WxHxD)

Cavity Dimensions: 24^{13/16}" x 22^{7/16}" x 19^{3/4}"

Net Dimensions: 29^{15/16}" x 46^{5/16}" - 47^{1/16}" x 26^{7/16}"

Weight: 163.8 lbs (74.3 Kg)

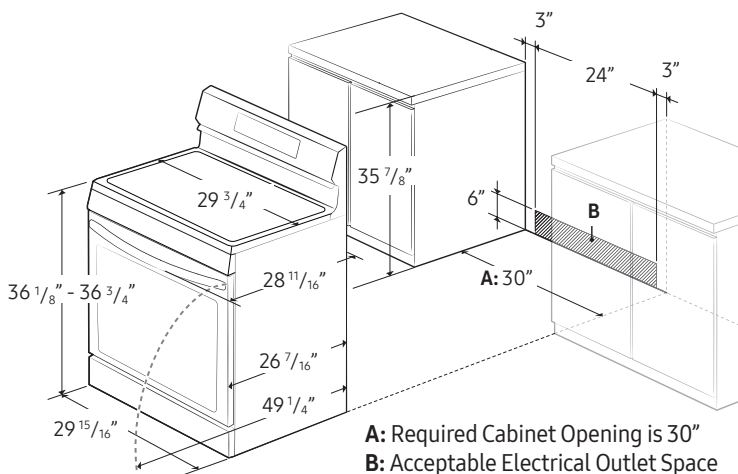
Shipping Dimensions & Weight (WxHxD)

Dimensions: 33^{1/16}" x 50^{9/16}" x 30^{5/16}"

Weight: 187.4 lbs (85 Kg)

Dimensions

CAUTION: This range has been designed to comply with the maximum allowable wood cabinet temperature of 194 °F (90 °C). Make sure the wall covering, countertops, and cabinets around the range can withstand the heat (up to 194 °F [90 °C]) generated by the range. If not, discolouration, delamination, or melting may occur.



A: Required Cabinet Opening is 30"

B: Acceptable Electrical Outlet Space

Colour

Black Stainless Steel

Model

NE63A6711SG

UPC Code

887276509471

Stainless Steel

NE63A6711SS

887276509495

Range Rating Watts		Specified Rating of Power-Supply-Cord Kit and Circuit Protection Amps	Diameter (inches) of Range Connection Opening		Plug Type	Power Cord Length
120/240 Volts 3-Wire	120/208 Volts 3-Wire		Power Cord	Conduit		
8750-16500	7801-12500	40 or 50 A	1 ^{3/8} "	1 ^{1/8} "	4 Prong	39.4"

A range cord rated at 40 amps with 125/250 minimum volt range is required. A 50 amp range cord is not recommended but if used, it should be marked for use with nominal 1^{3/8}" diameter connection openings. Care should be taken to center the cable and strain relief within the knockout hole to keep the edge from damaging the cable.