

ME19R7041FW

SAMSUNG

1.9 cu. ft. Over-the-Range Microwave with Sensor Cooking



Signature Features

Ceramic Enamel Interior

Scratch-resistant and easy-to-clean interior. Makes removing grease or oil effortless and protects against scratches from daily use.

Sensor Cook

Automatically adjusts cooking time for optimal results.

LED Display

Features a digital, blue LED display, complementing any kitchen décor.

Available Colours



White (shown)



Black



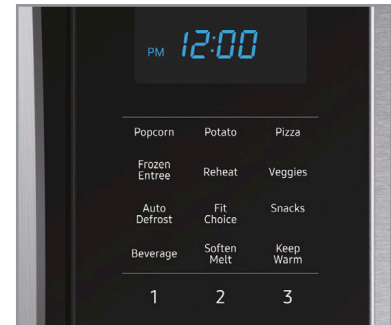
Fingerprint Resistant
Stainless Steel



Fingerprint Resistant
Black Stainless Steel



Ceramic Enamel Interior



LED Display

Features

- 1.9 cu. ft. Oven Capacity
- 1000 Watts of Cooking Power
- 4-Speed/400 CFM Ventilation System
- Ceramic Enamel Interior
- 10 Power Levels
- Sensor Cook
- Two-Stage Programmable Cooking
- Auto Defrost/Sensor Reheat
- Auto Cook
- LED Display

Convenience

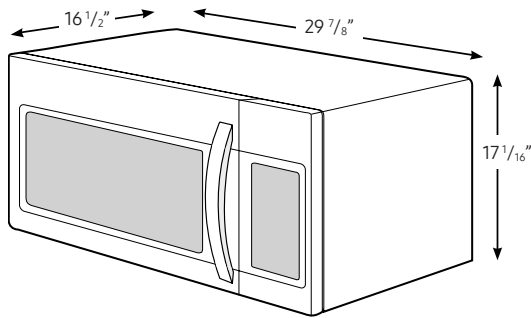
- Clock (12 hr/24 hr) with Daylight Saving Time Adjustment
- Kitchen Timer
- End Signal
- Interior Light: Halogen
- Cooktop Lighting (Halogen): High/Low/Off
- Vent Fan Control: Boost/Hi/Mid/Lo/Off
- Child Safety Lock
- Sound On/Off
- Eco Mode (Reduces Standby Power)

ME19R7041FW

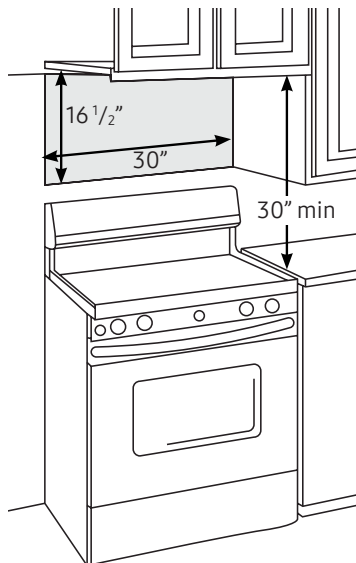
SAMSUNG

1.9 cu. ft. Over-the-Range Microwave with Sensor Cooking

Dimensions



Installation Specifications



This microwave oven is designed for adaptation to the following three types of ventilation:

- A. Outside Top Exhaust (Vertical Duct)
- B. Recirculating (Non-Vented Ductless)
- C. Outside Back Exhaust (Horizontal Duct)

- The space between the cabinets must be 30" wide and free of obstructions.
- This microwave oven is for installation over ranges up to 36" wide.
- The microwave must be level. Use a level to make sure the cabinet bottom is level. If the cabinets have a front overhang only, with no back or side frame, install the mounting plate down the same distance as the front overhang depth. This will keep the microwave level.

FOR EASIER INSTALLATION AND PERSONAL SAFETY, WE RECOMMEND THAT TWO PEOPLE INSTALL THIS MICROWAVE OVEN. IMPORTANT: Do not grip or use handle during installation.

NOTE: If your cabinet is metal, use the nylon grommet around the power cord hole to prevent cutting of the cord.

NOTE: We recommend using filler blocks if the cabinet front below the cabinet bottom shelf.

IMPORTANT: If filler blocks are not used, case damage may occur from overtightening screws.

NOTE: When mounting the microwave oven, thread power cord through hole in bottom of top cabinet.

Do not pinch cord or lift oven by pulling cord.

Specifications:

Oven Cavity: 1.9 cu. ft.
Power Output: 1000W
Power Consumption: 1700W
Power Source: 120V/60 Hz
Control Method: Digital (Membrane Touch)
Display: LED
Cooking Control: 10 Power Levels Including Defrost and Sensor Cook
Cooking Timer: Digital, up to 99 Minutes, 99 Seconds
Microwave Distribution System: Turntable
Glass Turntable Diameter: 14 ³/₁₆"
Vent Fan: 4-Speed/400 CFM
Vent Fan Control: Boost/Hi/Mid/Lo/Off
Cooktop Lighting: High/Low/Off
Halogen Interior Light
20A recommended in Multifamily Buildings

Warranty

One (1) Year Parts and Labour
Five (5) Years Parts on Magnetron

Product Dimensions & Weight (WxHxD)

Cavity Dimensions: 20 ¹³/₁₆" x 10 ¹³/₁₆" x 14 ⁹/₁₆"
Outside Net Dimensions: 29 ⁷/₈" x 17 ¹/₁₆" x 16 ¹/₂"
Weight: 55.4 lbs (25.1 Kg)
(Fingerprint Resistant Stainless Steel Models)
Weight: 53.8 lbs (24.4 Kg) (White and Black)

Shipping Dimensions & Weight (WxHxD)

Dimensions: 33 ³/₈" x 20 ¹³/₁₆" x 19 ³/₈"
Weight: 62.4 lbs. (28.3 kg)
(Fingerprint Resistant Stainless Steel Models)
Weight: 60.9 lbs. (27.6 kg) (White and Black)

Colour

White
Black
Fingerprint Resistant
Stainless Steel
Fingerprint Resistant
Black Stainless Steel

Model

ME19R7041FW
ME19R7041FB
ME19R7041FS
ME19R7041FG

UPC Code

887276348711
887276348650
887276348681
887276348674