

ME17R7021EW

SAMSUNG

1.7 cu. ft. Over-the-Range Microwave



Signature Features

1.7 cu. ft. Capacity

Accommodates a variety of snacks and meals. Enough room to accommodate everyday meals.

2-Speed/300 CFM Ventilation System

Powerful ventilation system that eliminates steam, fumes, and odour from the kitchen. Quiet system clears the air with 300 cubic feet per minute of turbo ventilation.

LED Display

Striking ice blue LED display provides a stylish accent to enhance any kitchen interior. Time and setting are clearly visible for greater cooking convenience.

Available Colours



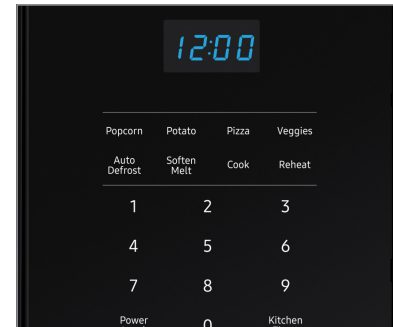
White



Stainless Steel



2-Speed/300 CFM Ventilation System



LED Display

Features

- 1.7 cu. ft. Oven Capacity
- 2-Speed/300 CFM Ventilation
- System LED Display
- Cooking Presets
- Eco Mode

Convenience

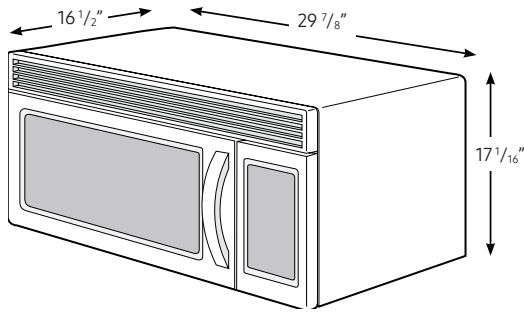
- Vent Fan Control: On/Off

ME17R7021EW

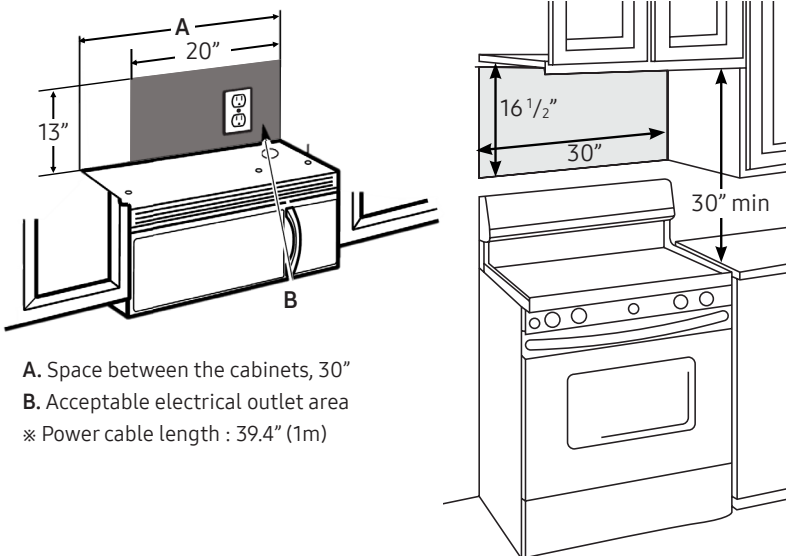
SAMSUNG

1.7 cu. ft. Over-the-Range Microwave

Dimensions



Installation Specifications



- A. Space between the cabinets, 30"
B. Acceptable electrical outlet area
※ Power cable length : 39.4" (1m)

Specifications:

Power Output: 1000 W
Power Consumption: 1500 W/13A
Power Source: 120v/60 Hz
Plug Type: 3 prong plug
Power Cord Length: 39 3/8"
Control Method: Digital (membrane touch)
Display: LED
Cooking Control: 10 power levels including defrost
Cooking Timer: Digital, up to 99 minutes, 99 seconds
Microwave Distribution System: Turntable
Vent Fan: 300 CFM
Vent Fan Control: On/Off

Warranty

One (1) Year Parts and Labour
Five (5) Years Parts on Magnetron

Product Dimensions & Weight (WxHxD)

Dimensions: 29 7/8" x 17 1/16" x 16 1/2"
Dimensions (without filter): 29 7/8" x 15 5/8" x 16 1/2"
Weight: 48.3 lbs (22 Kg)

Shipping Dimensions & Weight (WxHxD)

Dimensions: 33 11/32" x 20 25/32" x 19 3/8"
Weight: 55.1 lbs (25 Kg)

Colour	Model #	UPC Code
White	ME17R7021EW	887276528595
Stainless Steel	ME17R7011ES	887276528588

This microwave oven is designed for adaptation to the following three types of ventilation:

- A. Outside Top Exhaust (Vertical Duct)
B. Recirculating (Non-Vented Ductless)
C. Outside Back Exhaust (Horizontal Duct)

- The space between the cabinets must be 30" wide and free of obstructions.
- This microwave oven is for installation over ranges up to 36" wide.
- The microwave must be level. Use a level to make sure the cabinet bottom is level. If the cabinets have a front overhang only, with no back or side frame, install the mounting plate down the same distance as the front overhang depth. This will keep the microwave level.

FOR EASIER INSTALLATION AND PERSONAL SAFETY, WE RECOMMEND THAT TWO PEOPLE INSTALL THIS MICROWAVE OVEN.

IMPORTANT: Do not grip or use handle during installation.

NOTE: If your the power cord hole to prevent cutting of the cord.

NOTE: We recommend using filler blocks if the cabinet front below the cabinet bottom shelf.

IMPORTANT: If filler blocks are not used, case damage may occur from overtightening screws. NOTE: When mounting the microwave oven, thread power cord through hole in bottom of top cabinet. Do not pinch cord or lift oven by pulling cord.