

Microwave Oven

Installation manual

ME11A7510** / ME11A7710**



SAMSUNG

Contents

Before you begin	2
General information	3
Important safety instructions	3
Electrical requirements	3
Hood exhaust	4
Damage - Shipment/Installation	6
Parts included	6
Tools you will need	7
Mounting space	7
Step-by-step installation guide	9
Step 1. Placement of the mounting plate	9
Step 2. Ventilation types (choose a, b or c)	12
Step 3. Installation	15
Step 4. Before you use your microwave	19

Before you begin

ABOUT THIS MANUAL

READ THESE INSTRUCTIONS COMPLETELY AND CAREFULLY.

Important

- Save these instructions for local inspector's use.
- Observe all governing codes and ordinances.

Important note to the installer

Be sure to leave these instructions with the Consumer.

Important note to the consumer

Keep these instructions with your user manual for future reference.

Skill level

Installation of this appliance requires basic mechanical and electrical skills.

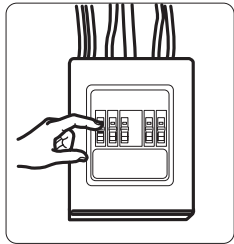
Proper installation is the responsibility of the installer

Product failure due to improper installation is not covered under the Warranty

General information

IMPORTANT SAFETY INSTRUCTIONS

This product requires a three-prong grounded outlet. The installer must perform a ground continuity check on the power outlet box before beginning the installation to ensure that the outlet box is properly grounded. If not properly grounded, or if the outlet box does not meet electrical requirements noted (under ELECTRICAL REQUIREMENTS), a qualified electrician should be employed to correct any deficiencies.



⚠ CAUTION

For personal safety, remove the house fuse or open the circuit breaker before beginning the installation to avoid severe or fatal shock injury.

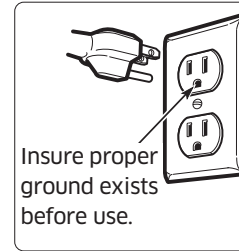
⚠ CAUTION

- For personal safety, the mounting surface must be capable of supporting the cabinet load in addition to the added weight of this 69 pound product, plus additional oven loads of up to 50 pounds or a total weight of 119 pounds.
- For personal safety, do not install this product in cabinetry configured as an island or a peninsula. The microwave oven must be mounted to BOTH a top cabinet AND a wall.

📖 NOTE

For easier installation and personal safety, we recommend that two people install this product.

IMPORTANT - PLEASE READ CAREFULLY. FOR PERSONAL SAFETY, THIS APPLIANCE MUST BE PROPERLY GROUNDED TO AVOID SEVERE OR FATAL SHOCK.



The power cord of this appliance is equipped with a three-prong (grounding) plug which mates with a standard three-prong (grounding) wall receptacle to minimize the possibility of electric shock hazard from this appliance.

You should have the wall receptacle and circuit checked by a qualified electrician to make sure the receptacle is properly grounded.

If you have a standard two-prong wall receptacle, it is very important to have it replaced with a properly grounded three-prong wall receptacle, installed by a qualified electrician.

DO NOT, UNDER ANY CIRCUMSTANCES, CUT, DEFORM OR REMOVE ANY OF THE PRONGS FROM THE POWER CORD. DO NOT USE WITH AN EXTENSION CORD.

ELECTRICAL REQUIREMENTS

Product rating is 120 volts AC, 60 Hertz, 14.5 amps and 1.7 kilowatts. This product must be connected to a supply circuit of the proper voltage and frequency. Wire size must conform to the requirements of the National Electrical Code or the prevailing local code for this kilowatt rating. The power supply cord and plug should be brought to a separate branch circuit single grounded outlet of at least 15 A and max of 20 A. The outlet box should be located in the cabinet above the microwave oven. The outlet box and supply circuit should be installed by a qualified electrician and conform to the National Electrical Code or the prevailing local code.

General information


HOOD EXHAUST




NOTE

Read these next two pages only if you plan to vent your exhaust to the outside. If you plan to recirculate the air back into the room, proceed to page **12**.

OUTSIDE TOP EXHAUST (EXAMPLE ONLY)

The following chart contains an example of one possible ductwork installation.




DUCT PIECES		EQUIVALENT LENGTH	x	NUMBER USED	=	EQUIVALENT LENGTH
	Roof Cap	24 ft.	x	(1)	=	24 ft.
	12 Ft. Straight Duct (6" Round)	12 ft.	x	(1)	=	12 ft.
	Rectangular-to-Round Transition Adaptor*	5 ft.	x	(1)	=	5 ft.
Equivalent lengths of duct pieces are based on actual tests and reflect requirements for good venting performance with any vent hood.					Total Length	= 41 ft.




IMPORTANT:

If a rectangular-to-round transition adaptor is used, the bottom corners of the damper will have to be cut to fit, using the tin snips, in order to allow free movement of the damper.

OUTSIDE BACK EXHAUST (EXAMPLE ONLY)

The following chart contains an example of one possible ductwork installation.



DUCT PIECES		EQUIVALENT LENGTH	x	NUMBER USED	=	EQUIVALENT LENGTH
	Wall Cap	40 ft.	x	(1)	=	40 ft.
	3 Ft. Straight Duct (3 1/4" x 10" Rectangular)	3 ft.	x	(1)	=	3 ft.
	90° Elbow	10 ft.	x	(2)	=	20 ft.
Equivalent lengths of duct pieces are based on actual tests and reflect requirements for good venting performance with any vent hood.					Total Length	= 63 ft.

NOTE

For back exhaust, care should be taken to align the exhaust with the space between studs, or the wall should be prepared at the time it is constructed by leaving enough space between the wall studs to accommodate exhaust.

NOTE

If you need to install ducts, note that the total duct length of 3 ¼" x 10" rectangular or 6" diameter round duct should not exceed 140 equivalent feet.

Outside ventilation requires a HOOD EXHAUST DUCT. Read the following carefully.

NOTE

It is important that venting be installed using the most direct route and with as few elbows as possible. This ensures clear venting of exhaust and helps prevent blockages. Also, make sure dampers swing freely and nothing is blocking the ducts.

Exhaust connection:


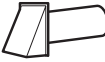


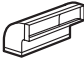



The hood exhaust has been designed to mate with a standard 3 ¼" x 10" rectangular duct.

If a round duct is required, a rectangular-to-round transition adaptor must be used. Do not use less than a 6" diameter duct.

Maximum duct length:

For satisfactory air movement, the total duct length of 3 ¼" x 10" rectangular or 6" diameter round duct should not exceed 140 equivalent feet.

Elbows, transitions, wall and roof caps, etc. present additional resistance to airflow and are equivalent to a section of straight duct which is longer than their actual physical size. When calculating the total duct length, add the equivalent lengths of all transitions and adaptors plus the length of all straight duct sections. The chart below shows you how to calculate total equivalent ductwork length using the equivalent length in feet of some typical ducts.

DUCT PIECES		EQUIVALENT LENGTH	x	NUMBER USED	=	EQUIVALENT LENGTH	
	Rectangular-to-Round Transition Adaptor*	5 ft.	x	()	=	ft.	
	Wall Cap	40 ft.	x	()	=	ft.	
	90° Elbow	10 ft.	x	()	=	ft.	
	45° Elbow	5 ft.	x	()	=	ft.	
	90° Elbow	25 ft.	x	()	=	ft.	
	45° Elbow	5 ft.	x	()	=	ft.	
	Roof Cap	24 ft.	x	()	=	ft.	
	Straight Duct 6" Round or 3 ¼" x 10" Rectangular	1 ft.	x	()	=	ft.	
Total Ductwork						=	ft.



***IMPORTANT :** If a rectangular-to-round transition adaptor is used, the bottom corners of the damper will have to be cut to fit, using tin snips, to allow free movement of the damper.

Equivalent lengths of duct pieces are based on actual tests and reflect the requirements for good venting performance with any vent hood.




General information

DAMAGE - SHIPMENT/INSTALLATION

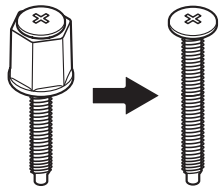
- If the unit is damaged in shipment, return the unit to the store in which it was bought for repair or replacement.
- If the unit is damaged by the customer, repair or replacement is the responsibility of the customer.
- If the unit is damaged by the installer (if other than the customer), repair or replacement must be made by arrangement between the customer and installer.

PARTS INCLUDED

HARDWARE PACKET

PART		QUANTITY
	Wood Screws	1
	Toggle Bolts (and wing nuts)	2
	Self-aligning Machine Screws With Supporter	2

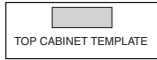
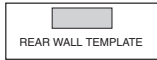

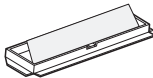


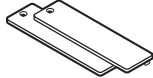

You will find the installation hardware contained in a packet with the unit. Check to make sure you have all these parts.



NOTE

If Cabinet Thickness is over 1", Remove Supporter.

ADDITIONAL PARTS

PART		QUANTITY
	Top Cabinet Template	1
	Rear Wall Template	1
	Installation Instructions	1
	Exhaust Adaptor	1
	Separately Packed Grease Filters	2
	Separately Packed Charcoal Filters	2
	Cover Air-Right	2
	Cover Air-Left	1

TOOLS YOU WILL NEED



#1 and #2 Phillips screwdriver



Pencil



Ruler or tape measure and straight edge



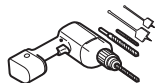
Carpenter square (optional)



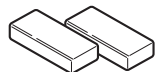
Tin snips (for cutting damper, if required)



Scissors (to cut template, if necessary)



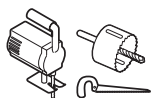
Electric drill with $\frac{3}{16}$ ", $\frac{1}{2}$ " and $\frac{5}{8}$ " drill bits



Filler blocks or scrap wood pieces, if needed for top cabinet spacing (used on recessed bottom cabinet installations only)



Gloves



Saw (saber, hole or keyhole)



Stud finder or Hammer (optional)



Safety goggles

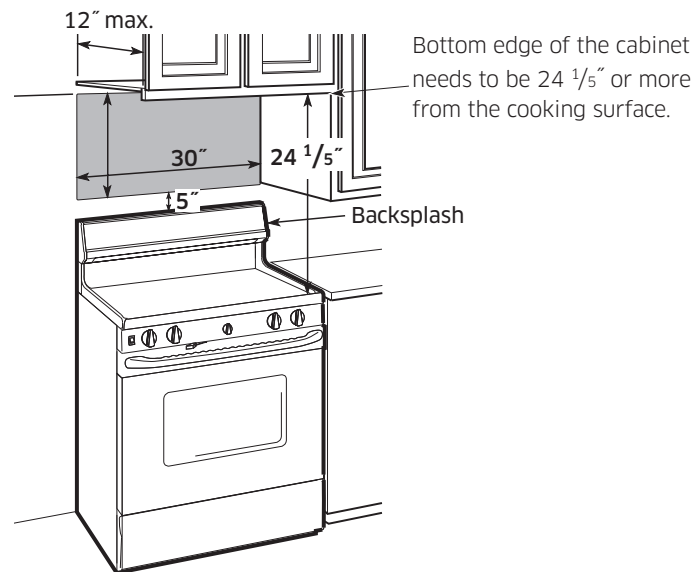


Level



Duct and masking tape

MOUNTING SPACE



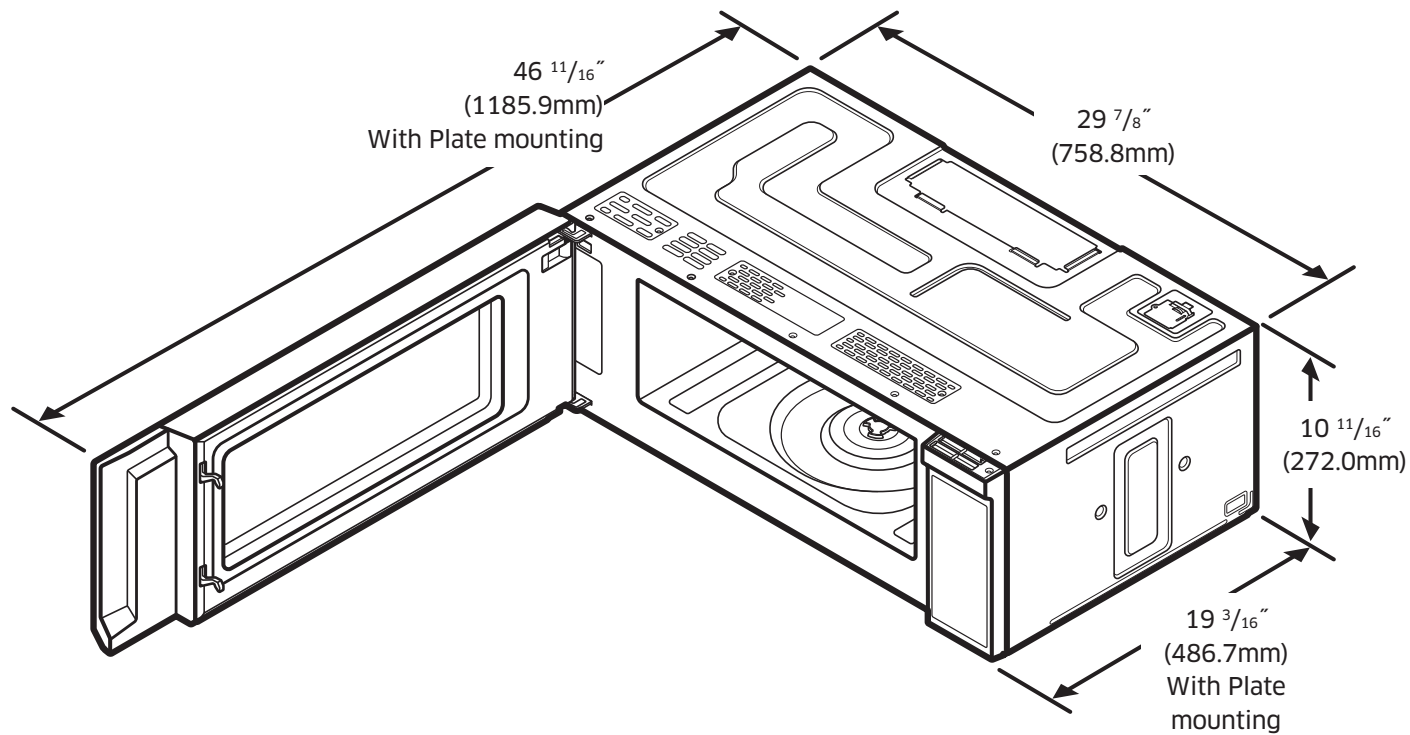
NOTE

- The space between the cabinets must be 30" wide and free of obstructions.
- This microwave oven is for installation over ranges up to 36" wide.
- If you are going to vent your microwave oven to the outside, see the Hood Exhaust Section for exhaust duct preparation.
- If installing the microwave oven beneath smooth flat cabinets, be careful to follow the instructions on the top cabinet template for power cord clearance.
- Maximum cabinet depth above and beside the unit is 12".
- The dimensions provided are the minimum required for mounting the microwave oven. Local codes and the practical use of the range will likely require you to provide more than the 13.5" shown between the range and the bottom of the microwave.

General information

DIMENSION OF PRODUCT

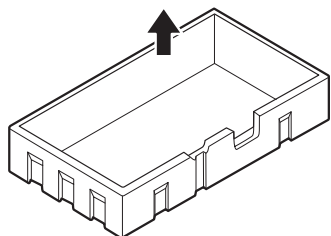
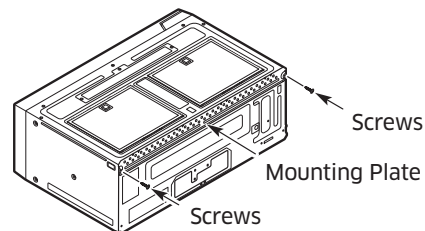
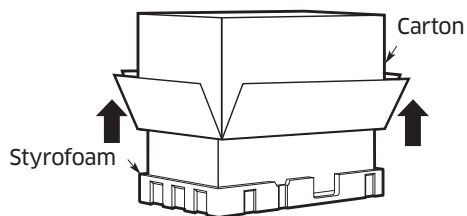
General information



Step-by-step installation guide

Step 1. Placement of the mounting plate

A. Removing the microwave oven from the carton/Removing the mounting plate

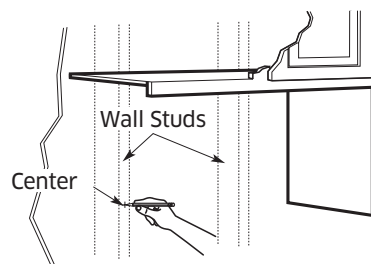


1. Remove the installation instructions, Exhaust Adaptor, filters, glass tray, and the small hardware bag. Do not remove the Styrofoam protecting the front of the oven.
2. Fold back all 4 carton flaps fully against carton sides. Then carefully roll the oven and carton over onto the top side. The oven should be resting in the Styrofoam.
3. Pull the carton up and off the oven.
4. Remove and properly discard plastic bags.
5. Remove the 2 screws from the mounting plate. This plate will be used as the rear wall template and for mounting.

NOTE

Retain the two screws. You will need to re-insert the screws in their original locations after you have removed the mounting plate.

B. Finding the wall studs



1. Find the studs using one of the following methods:
 - A. With a stud finder - a magnetic device which locates nails.

OR

 - B. Use a hammer to tap lightly across the mounting surface until you hear a solid sound. This will indicate a stud location.
2. After locating the stud(s), locate the stud's center by probing the wall with a small nail to find the edges of the stud. Then, place a mark halfway between the edges. The center of any adjacent studs should be 16" or 24" from this mark.
3. Draw a line down the center of the studs.

THE MICROWAVE MUST BE CONNECTED TO AT LEAST ONE WALL STUD.

Step-by-step installation guide

C. Determining wall plate location under your cabinet

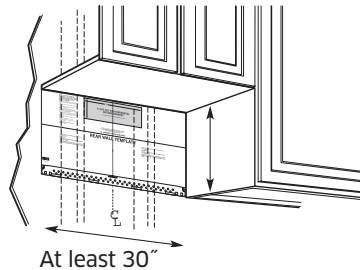


Plate position – beneath a flat bottom cabinet.

Draw a vertical line on the wall at the center of the 30" wide space. Tape the Rear Wall Template onto the wall so that the top of the template touches the bottom of the cabinet and the centerline on the template lines up with the line you drew on the wall.

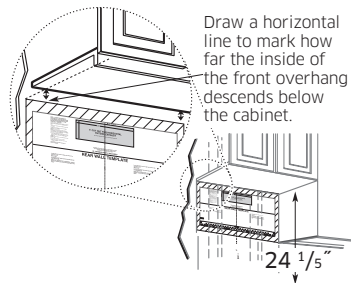


Plate position – beneath a recessed bottom cabinet with a front overhang.

Draw a vertical line on the wall at the center of the 30" wide space. Draw a second, horizontal line on the wall below the cabinet to mark how far the inside of the front overhang descends below the cabinet. Tape the Rear Wall Template onto the wall so that the top of the template touches the bottom of the horizontal line and the centerline on the template lines up with the vertical line.

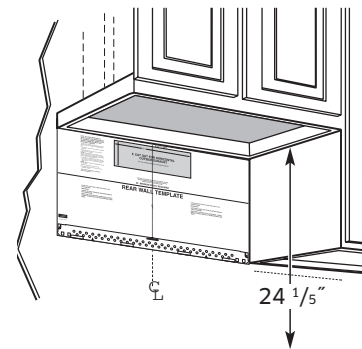


Plate position – beneath a framed recessed cabinet bottom.

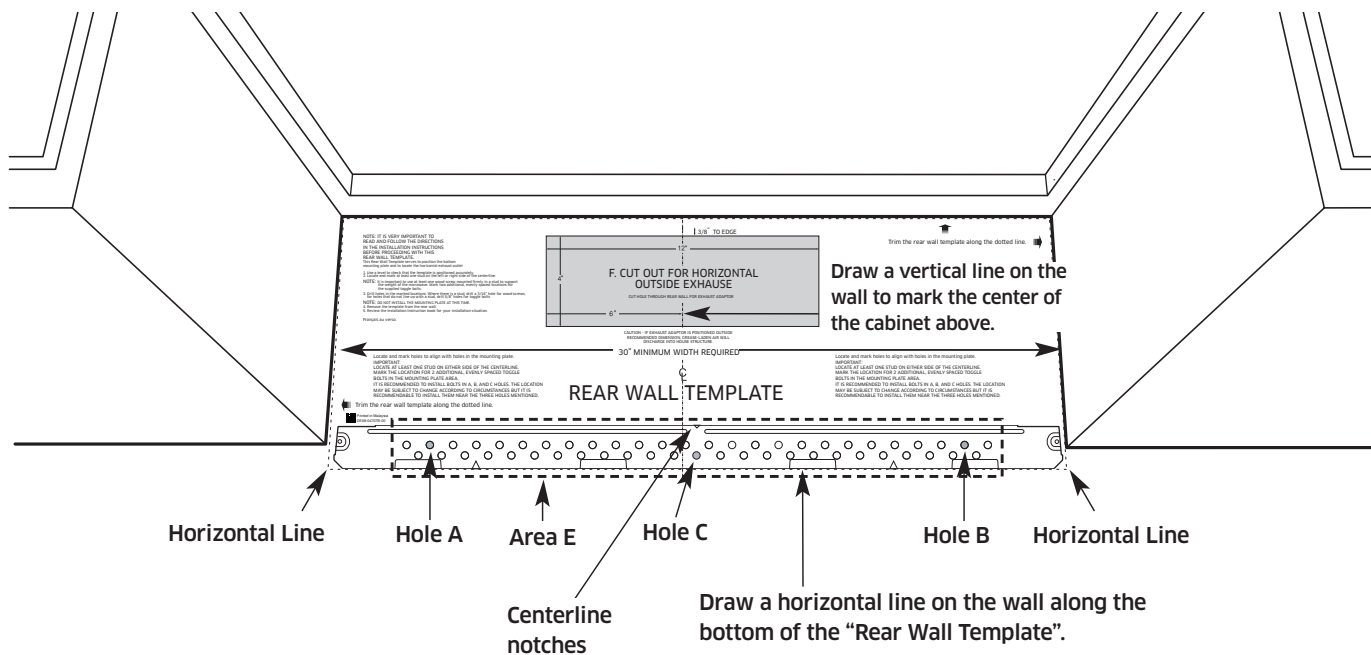
Draw a vertical line on the wall at the center of the 30" wide space. Tape the Rear Wall Template onto the wall so that the top of the template touches the bottom of the cabinet frame and the centerline on the template lines up with the line you drew on the wall.

Your cabinets may have decorative trim that interferes with the microwave installation. Remove the decorative trim to install the microwave properly and to make it level.

THE MICROWAVE MUST BE LEVEL.

Use a level to make sure the cabinet bottom is level.

D. Aligning the wall plate



CAUTION

Wear gloves to avoid cutting fingers on sharp edges.

1. Draw a horizontal line on the wall at the bottom of the "Rear Wall Template".
2. Drill $\frac{5}{8}$ " holes for toggle bolts in 2 locations (Hole A, Hole B) as shown in the illustration above. If the location of a hole lines up with a stud, drill a $\frac{3}{16}$ " hole for a wood screw. You cannot use a toggle bolt to attach the wall plate to a stud.
3. Holes A and B are inside area E. If none of these holes line up with a stud, find a stud in area E that lines up with a hole circle in Area E, and then drill a $\frac{3}{16}$ " hole into it for a wood screw. You must have at least one wood screw mounted firmly into a stud to support the weight of the microwave. **Set the mounting plate aside.**

NOTE

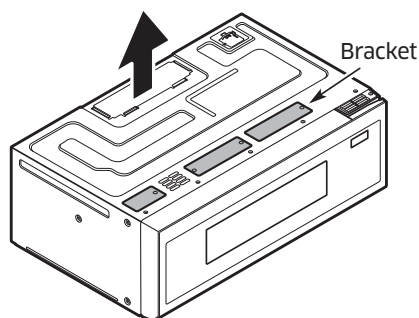
DO NOT MOUNT THE PLATE AT THIS TIME.

Step-by-step installation guide

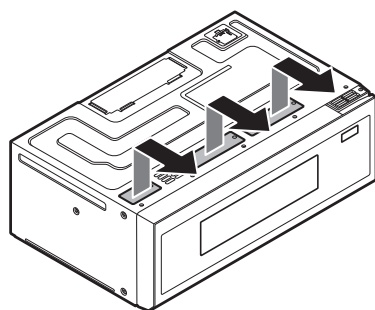
Step 2. Ventilation types (choose A, B or C)

This microwave oven is compatible with the following three types of ventilation:

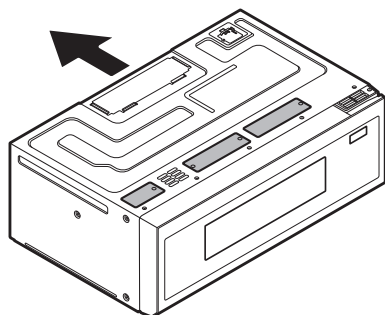
**A. Outside top exhaust
(vertical duct)**



**B. Recirculating
(non-vented ductless)**



**C. Outside back exhaust
(horizontal duct)**

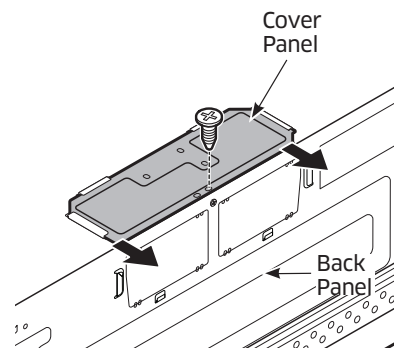


NOTE

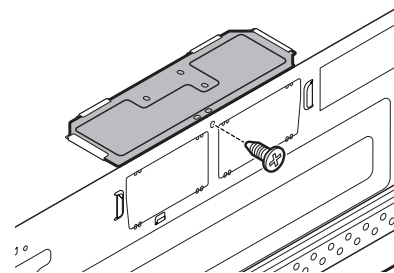
This microwave is shipped assembled for Recirculating. An Exhaust Adaptor is shipped assembled and attached to the filler-upper. Select the type of ventilation required for your installation and proceed to that section.

A. Outside top exhaust (vertical duct)

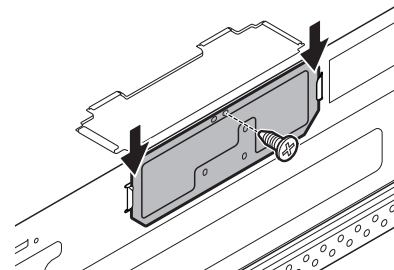
A1. ADAPTING THE COVER PANEL FOR THE EXHAUST ADAPTOR



1. Remove 1 screw from Cover Panel and take off Cover Panel.

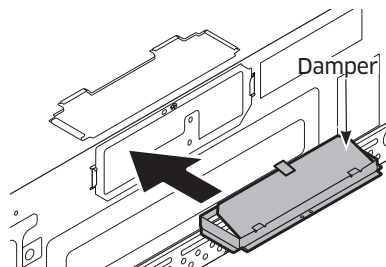


2. Remove 1 screw from Back Panel.

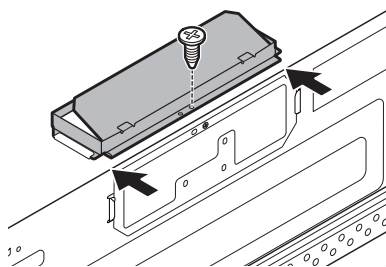


3. Assemble the Cover Panel as sliding from top to bottom and the screw that was removed from Back Panel.

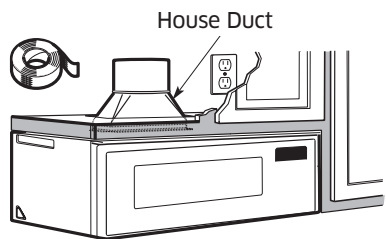
A2. INSTALLATION DAMPER



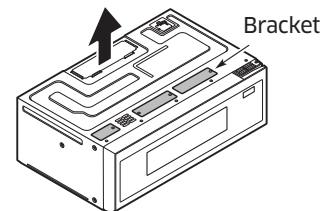
1. Remove the tape securing the Damper.
2. Assemble the Damper as sliding from back to front until stopped.



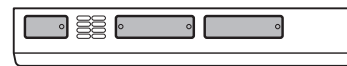
NOTE
Make sure Dampers swing freely.



- NOTE**
- You must attach the House Duct to the Exhaust Adaptor after installation is complete.
 - You must seal Exhaust Duct joints using Duct Tape.



NOTE
You must check bracket picture according to ventilation type at page 12.

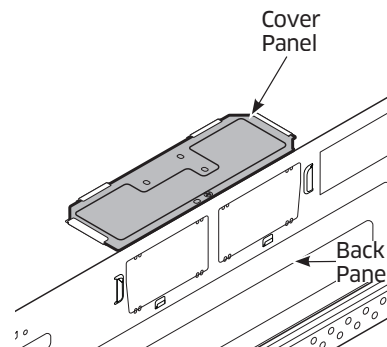


The marked Brackets should not have Vent holes.

NOTE
Apply A1 and A2 equally.

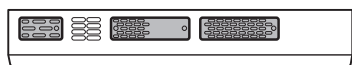
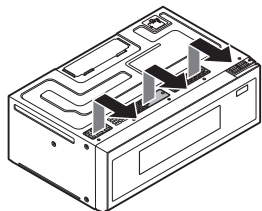
B. Recirculating (non-vented ductless)

B1. Adapting the COVER PANEL for recirculation



1. Make sure the Cover Panel is assembled properly. (Top assembly)

Step-by-step installation guide



The marked Brackets should have Vent holes.

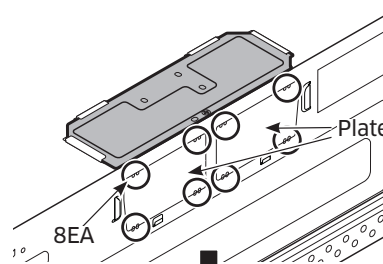
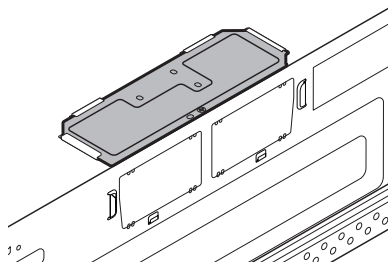
NOTE

- The Exhaust Adaptor with the Damper is not needed for recirculating type. You may want to save them for possible future use.
- You must check bracket picture according to ventilation type at page 12.

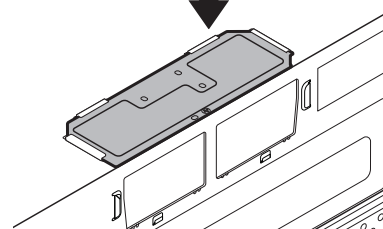
C. Outside back exhaust (horizontal duct)

C1. Adapting the COVER PANEL for outside back exhaust

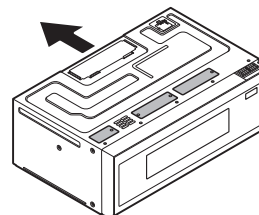
1. Make sure the Cover Panel is assembled properly. (Top assembly)



2. Cut 8 area to remove plates using nipper.

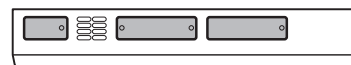


After removing Plates

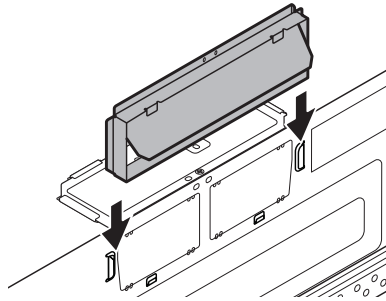


NOTE

You must check bracket picture according to ventilation type at page 12.



The marked Brackets should not have Vent holes.

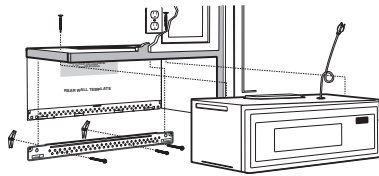


3. Remove the tape securing the Damper.
4. Assemble the Damper as sliding from top to bottom until stopped.

NOTE
Make sure Dampers swing freely.

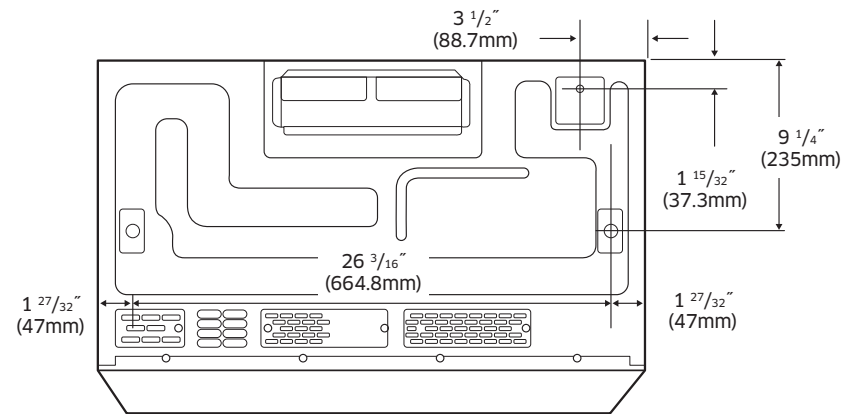
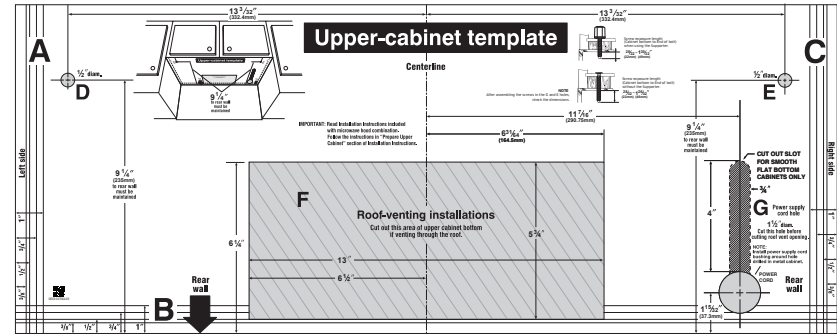
Step 3. Installation

INSTALLATION OVERVIEW



- A. Prepare the Rear Wall (for outside back exhaust/horizontal duct only)
- B. Attach the Mounting Plate to the Wall
- C. Prepare the Cabinet above
- D. Mount the Microwave Oven
- E. Connect the Ductwork (for outside top exhaust/vertical duct only)

Dim. Comparison

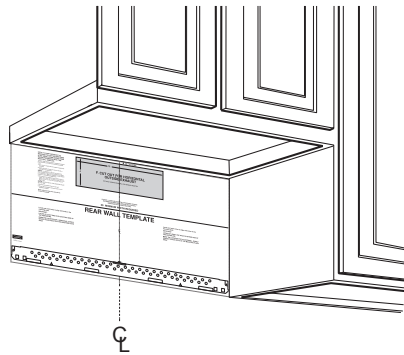


Step-by-step installation guide

Step-by-step installation guide

A. Prepare the rear wall for outside back exhaust

You need to cut an opening in the rear wall for outside exhaust.

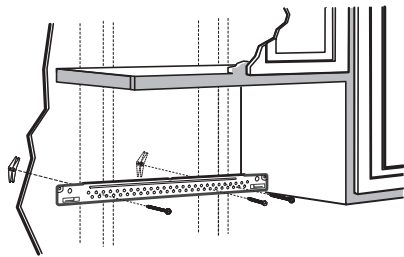


- Read the instructions for outside back exhaust on the REAR WALL TEMPLATE.
- Tape the REAR WALL TEMPLATE to the rear wall.
- Cut the opening, following the instructions on the REAR WALL TEMPLATE.

⚠ CAUTION

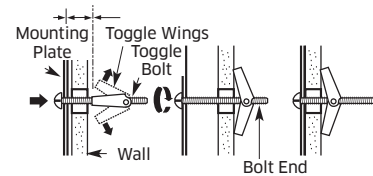
Do not cut an opening in the rear wall if you are installing the microwave with vertical duct or non-vented ductless ventilation.

B. Attach the mounting plate to the wall



Attach the plate to the wall using toggle bolts. At least one wood screw must be used to attach the plate to a wall stud.

1. Remove the toggle wings from the bolts.
2. Insert the bolts into the mounting plate through the holes designated to go into drywall, and then reattach the toggle wings so that $\frac{3}{4}$ " of the bolt protrudes beyond the wing.



3. Place the mounting plate against the wall, pinch the wings of each toggle together, and then insert the toggle wings of each toggle into and through the holes in the wall.

📖 NOTE

Before tightening the toggle bolts and wood screw, make sure the bottom of the Mounting plate runs along the bottom Horizontal line of the "Rear wall Template" and the Mounting plate is properly centered under the cabinet.

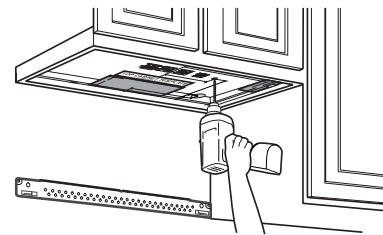
⚠ CAUTION

Be careful to avoid pinching your fingers between the back of the mounting plate and the wall.

4. Tighten all bolts. Pull the plate away from the wall to help tighten the bolts. Tighten the screw.

C. Use the top cabinet template to prepare the cabinet above

You need to drill holes for the top support screws and a hole large enough for the power cord to fit through.

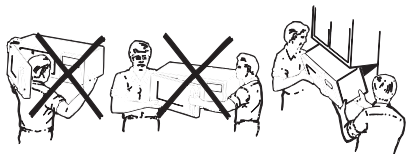


- Read the instructions on the TOP CABINET TEMPLATE.
- Tape it underneath the top cabinet.
- Drill the holes, following the instructions on the TOP CABINET TEMPLATE.

⚠ CAUTION

Wear safety goggles when drilling holes in the cabinet bottom.

D. Mount the microwave oven

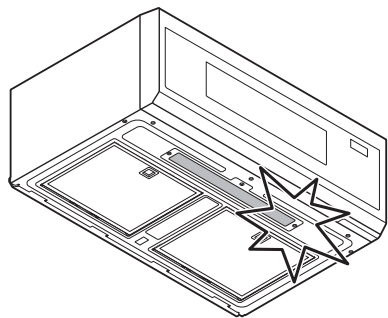


FOR EASIER INSTALLATION AND PERSONAL SAFETY, WE RECOMMEND THAT TWO PEOPLE INSTALL THIS MICROWAVE OVEN.

IMPORTANT: Do not grip or use the handle during installation.

NOTE

- If your cabinet is metal, use the nylon grommet in the power cord hole to prevent the cord from being cut.
- Filler blocks are required when mounting this unit under any cabinet with a recessed bottom or front overhang. (See page 10.)

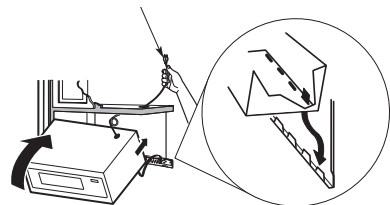


IMPORTANT: The case damage that will occur from over tightening screws if you do not use filler blocks is not covered under warranty.

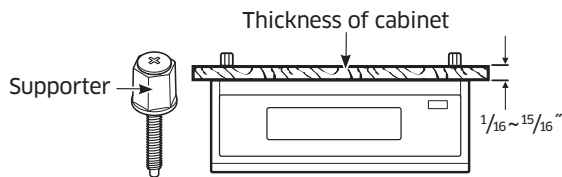
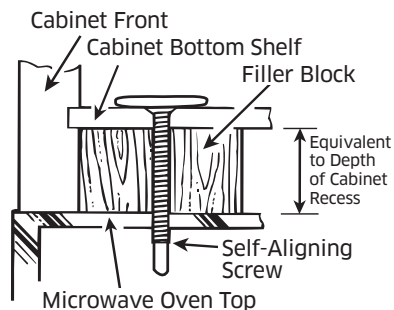
IMPORTANT: Be careful not to damage the lower Lamp Glass during handling.

NOTE

When mounting the microwave oven, thread the power cord through hole in the bottom of the top cabinet. Keep it tight throughout Steps 1-3. Do not pinch the cord or lift the oven by pulling cord.

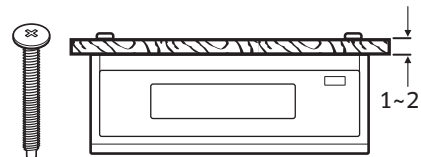


1. Lift the microwave, tilt it forward, and hook the slots at the back bottom edge onto the four lower tabs of the mounting plate.
2. Rotate the front of the oven up against the cabinet bottom.
3. Insert a self-aligning screw through the top center cabinet hole. Temporarily secure the oven by turning the screw at least **two full turns** after the threads have engaged. (It will be completely tightened later.) Be sure to keep the power cord tight. **Be careful not to pinch the cord, especially when mounting flush to the bottom of cabinet.**



NOTE

If Cabinet Thickness is Under 1", Use Supporter.



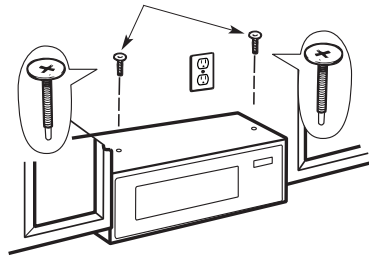
NOTE

If Cabinet Thickness is over 1", Remove Supporter from the Self-Aligning Screw.

NOTE

The self-aligning screw can be installed up to 1 15/16" (49mm).

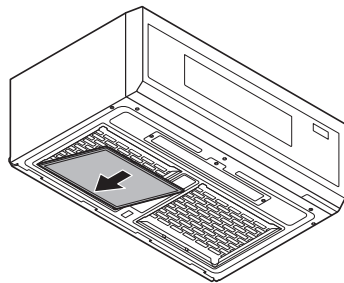
Step-by-step installation guide



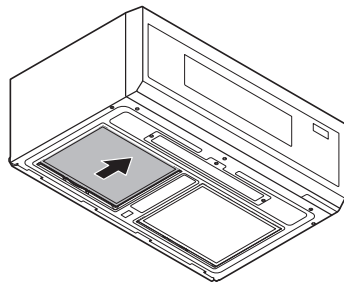
4. Attach the microwave oven to the top cabinet.
5. Insert the 2 self-aligning screws through the cabinet bottom shelf and filler block into the outer top cabinet of the unit. Continue to support the unit until both screws are inserted and engaged at least two full turns, then fully tighten all screws until the unit is secure.

E. Installing the charcoal filters and Grease Filters

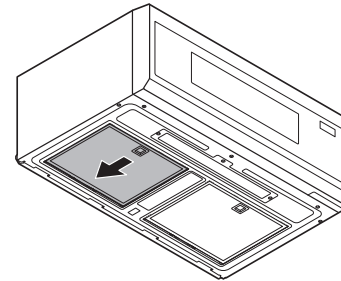
E1. Charcoal Filter assembly method



1. Insert the Charcoal Filter from the back.
2. Raise the front of the Charcoal Filter until it is flat with the bottom, and then pull it forward to lock it in place.

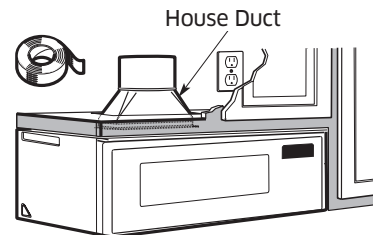


E2. Grease Filter assembly method



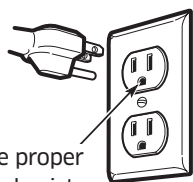
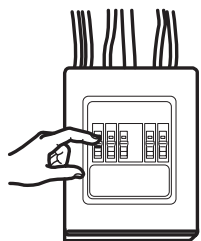
1. Push the Grease Filter backward and insert the Grease Filter until flatness with bottom surface of products.

F. Connect the ductwork for outside top exhaust

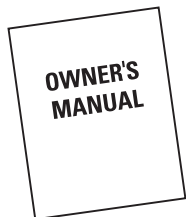


1. Extend the House Duct down to connect to the Exhaust Adaptor.
2. Seal the exhaust duct joints using duct tape.

Step 4. Before you use your microwave



Insure proper ground exists before use.



1. Make sure the microwave oven has been installed according to instructions.
2. Remove all packing material from the microwave oven.
3. Install the turntable and ring in the cavity.
4. Replace the house fuse or turn the breaker back on.
5. Plug the power cord into a dedicated 15 amp electrical outlet.
6. Read the Owner's Manual.



7. Keep installation instructions for the local inspector's use.



Scan the QR code* or visit
www.samsung.com/spsn
to view our helpful
How-to Videos and Live Shows

* Requires reader to be installed on your
smartphone

Scan this with your smartphone

Please be advised that the Samsung warranty does NOT cover service calls to explain product operation, correct improper installation, or perform normal cleaning or maintenance.

QUESTIONS OR COMMENTS?

COUNTRY	CALL	OR VISIT US ONLINE AT
U.S.A Consumer Electronics	1-800-SAMSUNG (726-7864)	www.samsung.com/us/support
CANADA	1-800-SAMSUNG (726-7864)	www.samsung.com/ca/support (English) www.samsung.com/ca_fr/support (French)



DE68-04709B-00

Four à micro-ondes

Manuel d'installation

ME11A7510** / ME11A7710**



SAMSUNG

Table des matières

AVANT DE COMMENCER	2
Informations générales	3
Consignes de sécurité importantes	3
Exigences électriques	3
Échappement de hotte	4
Dommages - Expédition/Installation	6
Pièces incluses avec le produit	6
Outils nécessaires	7
Espace de montage	7
Guide d'installation étape par étape	9
Étape 1 : Emplacement de la plaque de fixation	9
Étape 2 : Types de ventilation (sélectionnez A, B ou C)	12
Étape 3 : Installation	15
Étape 4 : Avant d'utiliser votre four micro-ondes	19

AVANT DE COMMENCER

À PROPOS DE CE MANUEL

LISEZ ENTièrement ET ATTENTIVEMENT CES INSTRUCTIONS.

Important

- Conservez ces instructions d'installation afin que la personne chargée du contrôle local puisse s'y reporter.
- Conservez précieusement ce manuel en vue du passage éventuel d'un technicien en cas de réparation.

Remarque importante destinée à l'installateur

Assurez-vous de laisser ces instructions à l'utilisateur.

Remarque importante destinée à l'utilisateur

Conservez ces instructions avec votre manuel d'utilisation pour référence future.

Niveau de compétences

L'installation de cet appareil nécessite des connaissances mécaniques et électriques de base.

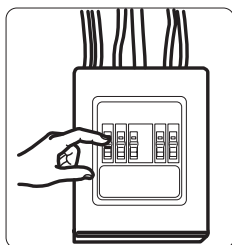
L'installateur est responsable de toute mauvaise installation

La défaillance du produit due à une mauvaise installation n'est pas couverte par la garantie

Informations générales

CONSIGNES DE SÉCURITÉ IMPORTANTES

Cet appareil nécessite une prise tripolaire reliée à la terre. L'installateur doit effectuer un contrôle de continuité de terre sur le boîtier de prise de courant avant de commencer l'installation pour s'assurer que le boîtier de prise est correctement mis à la terre. Si ce n'est pas le cas, ou si la prise ne répond pas aux exigences indiquées en matière de raccordement électrique (dans la section EXIGENCES EN MATIÈRE DE RACCORDEMENT ÉLECTRIQUE), faites appel à un électricien qualifié pour corriger les défaillances.



⚠ ATTENTION

Pour votre sécurité personnelle, retirez le fusible de la maison ou ouvrez le disjoncteur avant de commencer l'installation pour éviter des blessures graves ou mortelles par électrocution.

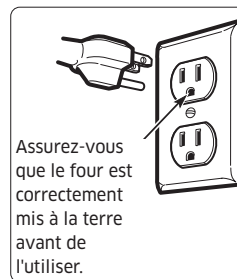
⚠ ATTENTION

- pour votre sécurité, la surface de fixation doit être capable de le poids du meuble, en plus des 69 livres de l'appareil et des charges pouvant aller jusqu'à 50 livres, soit un poids total de 119 livres.
- Pour des raisons de sécurité personnelle, n'installez pas ce produit dans des armoires configurées en îlot ou en péninsule. Le four à micro-ondes doit être monté À LA FOIS sur une armoire supérieure ET sur un mur.

📖 REMARQUE

Pour une installation plus facile et pour des raisons de sécurité personnelle, nous recommandons que l'installation de ce produit se fasse à deux.

IMPORTANT - LISEZ ATTENTIVEMENT CE MANUEL. POUR VOTRE SÉCURITÉ, CET APPAREIL DOIT ÊTRE CORRECTEMENT MIS À LA TERRE AFIN D'ÉVITER TOUT RISQUE D'ÉLECTROCUTION



Assurez-vous que le four est correctement mis à la terre avant de l'utiliser.

Le cordon d'alimentation de cet appareil est équipé d'une prise tripolaire (mise à la terre) correspondant à la prise murale tripolaire standard (mise à la terre) afin de réduire le risque d'électrocution.

Faites vérifier la prise murale et le circuit par un électricien qualifié afin de vous assurer que la prise est correctement mise à la terre.

Si vous possédez une prise murale standard à deux broches, il est très important de la faire remplacer par une prise murale à trois broches correctement mise à la terre, installée par un électricien qualifié.

NE COUPEZ, NE DÉFORMEZ NI NE RETIREZ JAMAIS LES BROCHES DE LA PRISE DU CORDON D'ALIMENTATION. N'UTILISEZ PAS DE RALLONGE.

EXIGENCES ÉLECTRIQUES

La valeur nominale du produit est de 120 volts CA, 60 Hertz, 14,5 ampères et 1,7 kilowatt. Cet appareil doit être relié à un circuit d'alimentation doté de la tension et de la fréquence appropriées. La taille des fils doit être conforme aux exigences du Code électrique national ou du code local en vigueur pour le régime nominal en kilowatts. Le cordon d'alimentation et la fiche doivent être reliés à une prise simple séparée reliée à la terre à circuit de dérivation entre 15 et 20 A. La prise doit être placée dans le meuble situé au dessus du four à micro-ondes. La prise et le circuit d'alimentation doivent être installés par un électricien qualifié et conformément au Code électrique national ou au code local en vigueur.

Informations générales




ÉCHAPPEMENT DE HOTTE

REMARQUE

les deux prochaines pages ne vous concernent que si vous souhaitez utiliser un système d'évacuation de l'air. Si vous souhaitez que la circulation de l'air se fasse en circuit fermé, passez à la page **12**.

SYSTÈME D'ÉVACUATION PAR LE HAUT (EXEMPLE UNIQUEMENT)

Le tableau suivant contient un type d'installation de conduits possible.




COMPOSANTS DE L'ÉVACUATION		LONGUEUR ÉQUIVALENTE	x	NOMBRE UTILISÉ	=	LONGUEUR ÉQUIVALENTE
	Chaperon de toit	24 pi.	x	(1)	=	24 t.
	12 pi. Conduit droit (6 po rond)	12 pi.	x	(1)	=	12 pi.
	Adaptateur rectangulaire circulaire*	5 pi.	x	(1)	=	5 pi.
Les longueurs équivalentes des composants du système d'évacuation sont basées sur des essais réels et reflètent les exigences en matière de performance de ventilation avec n'importe quel type de hotte.				Longueur totale	=	41 pi.

IMPORTANT :

si un adaptateur rectangulaire-circulaire est utilisé, les coins inférieurs du registre devront être coupés à l'aide de cisailles afin de le fixer et de permettre au registre de bouger librement.

SYSTÈME D'ÉVACUATION PAR L'ARRIÈRE (EXEMPLE UNIQUEMENT)

Le tableau suivant contient un type d'installation de conduits possible.

COMPOSANTS DE L'ÉVACUATION		LONGUEUR ÉQUIVALENTE	x	NOMBRE UTILISÉ	=	LONGUEUR ÉQUIVALENTE
	Chaperon mural	40 pi.	x	(1)	=	40 pi.
	3 pi. Conduit droit (3¼ x 10 po rectangulaire)	3 pi.	x	(1)	=	3 pi.
	Coude de 90°	10 pi.	x	(2)	=	20 pi.
Les longueurs équivalentes des composants du système d'évacuation sont basées sur des essais réels et reflètent les exigences en matière de performance de ventilation avec n'importe quel type de hotte.					Longueur totale	= 63 pi.

REMARQUE

Pour l'évacuation par l'arrière, veillez à aligner l'évacuation sur l'espace situé entre les montants ou préparez le mur lors de sa construction en ménageant un espace entre les montants du mur afin de disposer l'évacuation.

REMARQUE

Si vous devez installer des conduits, notez que la longueur totale des conduits rectangulaires de 3¼ x 10 po ou ronds de 6 po de diamètre ne doit pas dépasser 140 pi équivalents.

La ventilation extérieure nécessite un SYSTÈME D'ÉVACUATION DE LA HOTTE. Lisez attentivement ce qui suit.

REMARQUE

Il est important que la ventilation soit installée en utilisant le chemin le plus direct et avec le moins de coudes possible. Cela garantit une ventilation dégagée de l'échappement et aide à prévenir les blocages. **Assurez-vous également que les registres oscillent librement et que rien ne bloque les conduits.**

Raccord d'échappement :





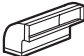
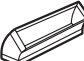


L'évacuation de la hotte a été conçue pour s'accoupler avec un conduit rectangulaire standard de 3¼ x 10 po.

Si un conduit rond est requis, un adaptateur de transition rectangulaire à rond doit être utilisé. **N'utilisez pas un conduit de moins de 6 po de diamètre.**

Longueur maximale du conduit :

Pour une circulation d'air satisfaisante, la longueur totale du conduit rectangulaire de 3¼ x 10 po ou rond de 6 po de diamètre ne doit pas dépasser 140 pi équivalents.

Les coudes, transitions, chapeaux de mur et de toit, etc. présentent une résistance supplémentaire au flux d'air et sont équivalents à une section de conduit droit qui est plus longue que leur taille physique réelle. Lors du calcul de la longueur totale du conduit, ajoutez les longueurs équivalentes de toutes les transitions et adaptateurs plus la longueur de toutes les sections de conduit droites. Le tableau ci-dessous vous montre comment calculer la longueur équivalente totale des conduits en utilisant la longueur équivalente en pieds de certains conduits typiques.

COMPOSANTS DE L'ÉVACUATION		LONGUEUR ÉQUIVALENTE	x	NOMBRE UTILISÉ	=	LONGUEUR ÉQUIVALENTE
	Adaptateur rectangulaire circulaire*	5 pi.	x	()	=	pi.
	Chaperon mural	40 pi.	x	()	=	pi.
	Coude de 90 °	10 pi.	x	()	=	pi.
	Coude de 45 °	5 pi.	x	()	=	pi.
	Coude de 90 °	25 pi.	x	()	=	pi.
	Coude de 45 °	5 pi.	x	()	=	pi.
	Chaperon de toit	24 pi.	x	()	=	pi.
	Conduit droit 6 rond ou 3¼ x 10 po rectangulaire	1 pi.	x	()	=	pi.
Total des conduits					=	pi.



***IMPORTANT:** si un adaptateur rectangulaire-circulaire est utilisé, les coins inférieurs du registre devront être coupés à l'aide de cisailles afin de le fixer et de permettre au registre de bouger librement.

Les longueurs équivalentes des composants du système d'évacuation sont basées sur des essais réels et reflètent les exigences en matière de performance de ventilation avec n'importe quel type de hotte.




Informations générales

DOMMAGES - EXPÉDITION/INSTALLATION

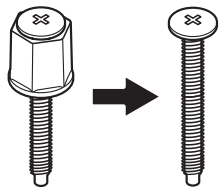
- Si l'appareil est endommagé lors du transport, retournez-le au magasin dans lequel il a été acheté afin qu'il soit réparé ou remplacé.
- Si l'appareil est endommagé par l'utilisateur, sa réparation ou son remplacement lui incombe.
- Si l'appareil est endommagé par l'installateur (autre que l'utilisateur), un accord devra être trouvé entre l'utilisateur et l'installateur en vue d'une réparation ou d'un remplacement.

PIÈCES INCLUSES AVEC LE PRODUIT

MATÉRIEL

	PIÈCE	QUANTITÉ
	Vis à bois	1
	Boulons à ailettes (et écrous à oreilles)	2
	Autoalignement Vis à métal Avec supporter	2

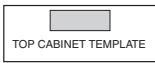
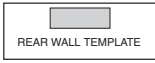
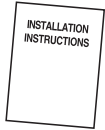
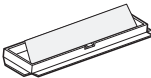


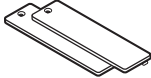
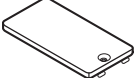
L'appareil est livré avec un sachet contenant le matériel d'installation. Vérifiez que vous disposez de toutes ces pièces.



REMARQUE

Si l'épaisseur du meuble est supérieure à 1 po, retirez le supporter.

PIÈCES SUPPLÉMENTAIRES

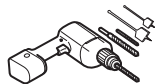
	PIÈCE	QUANTITÉ
	Gabarit du meuble haut	1
	Gabarit pour mur arrière	1
	Instructions d'installation	1
	Adaptateur du système d'évacuation	1
	Emballé séparément Filtres à graisse	2
	Emballé séparément Filtres au charbon	2
	Couvercle d'aération - Droit	2
	Couvercle d'aération - Gauche	1

OUTILS NÉCESSAIRES

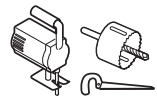
5 po

Tournevis cruciforme
n°1 et n°2

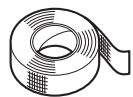
Crayon

Règle ou mètre à
ruban et règle plateÉquerre de
charpentier
(facultatif)Cisailles (pour la
coupe du registre si
nécessaire)Ciseaux (pour la
coupe du gabarit si
nécessaire)Perceuse électrique
avec mèches de
 $\frac{3}{16}$ po, $\frac{1}{2}$ po et
 $\frac{5}{8}$ poCales ou morceaux
de bois, pour
l'espacement du
meuble haut si
nécessaire (utilisé
pour l'installation
de meubles
bas encastrés
uniquement)

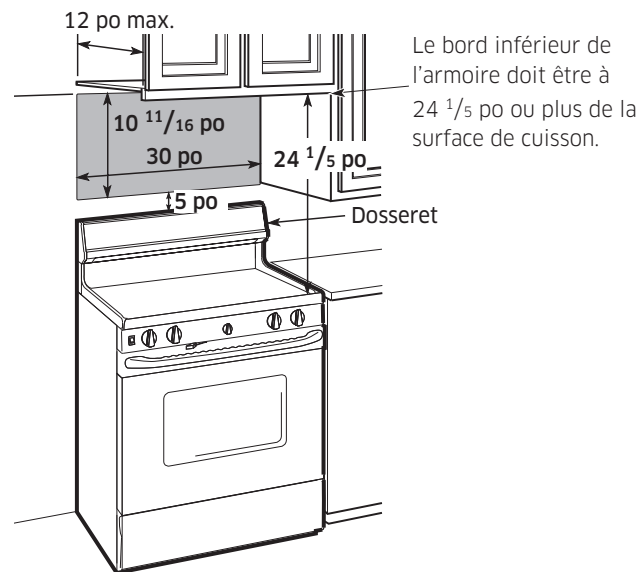
Gants

Scie (scie sauteuse,
scie-cloche ou scie à
guichet)Détecteur de
montant ou marteau
(facultatif)Lunettes de
protection

Niveau

Ruban adhésif en
toile et ruban-cache

ESPACE DE MONTAGE



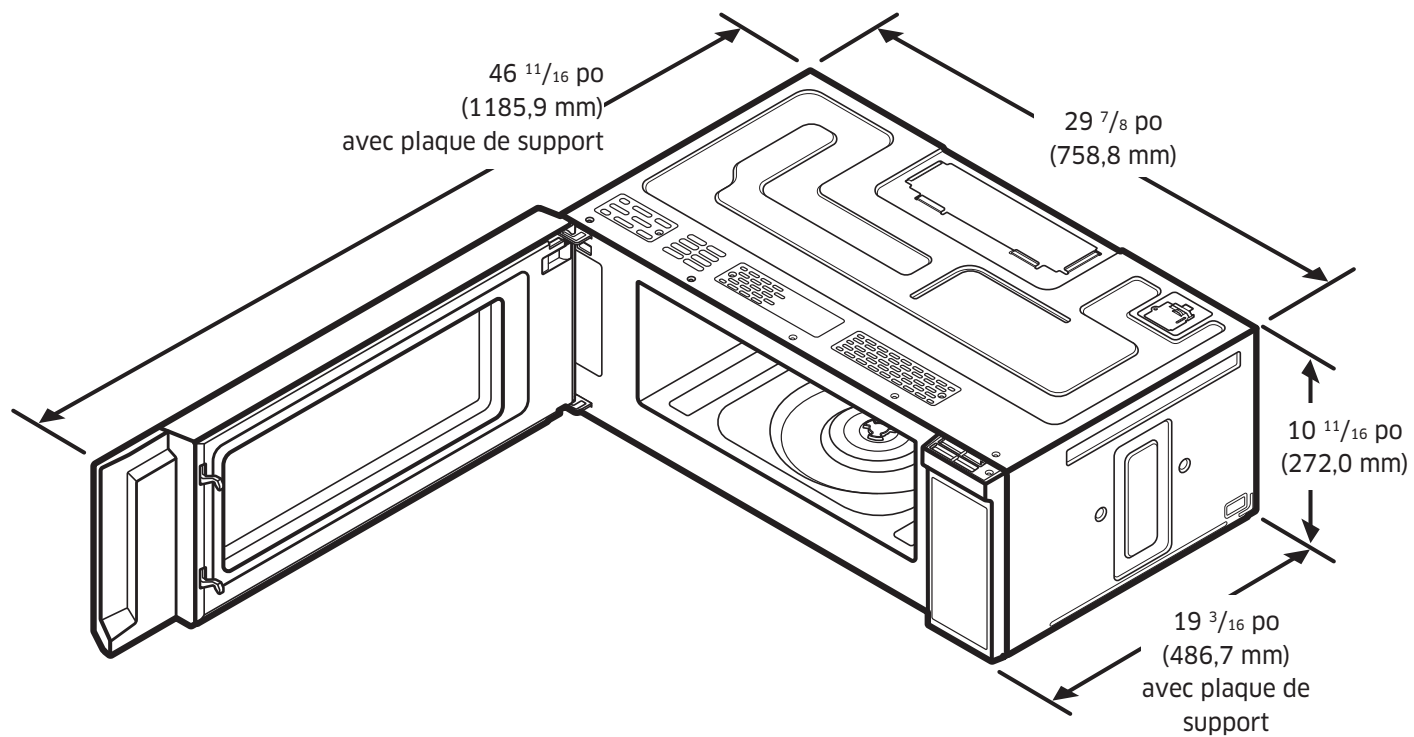
REMARQUE

- L'espace entre les armoires doit être de 30 po de large et libre d'obstructions.
- Ce four à micro-ondes est conçu pour une installation sur des cuisinières jusqu'à 36 po de large.
- Si vous souhaitez utiliser un système de ventilation pour le four micro-ondes, reportez-vous à la partie Système d'évacuation de la hotte pour la préparation du conduit d'évacuation.
- Lors de l'installation du four micro-ondes sous un meuble plat et lisse, respectez les instructions figurant sur le gabarit du meuble haut pour la distance d'isolement du cordon d'alimentation.
- La profondeur maximale du meuble au-dessus et à côté de l'unité est de 12 po.
- Les dimensions indiquées sont celles minimales nécessaires pour le montage du four micro-ondes. Les codes locaux et l'utilisation pratique de la cuisinière peuvent nécessiter un espace supérieur aux 13,5 po indiqués entre la cuisinière et la partie inférieure du four micro-ondes.

Informations générales

DIMENSIONS DU PRODUIT

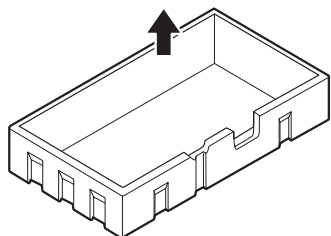
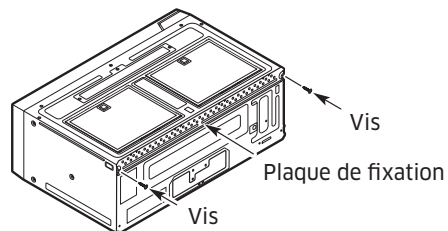
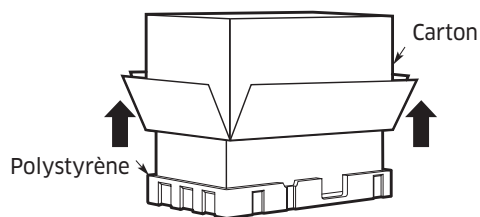
Informations générales



Guide d'installation étape par étape

Étape 1 : Emplacement de la plaque de fixation

A. Retrait du four micro-ondes du carton/retrait de la plaque de fixation

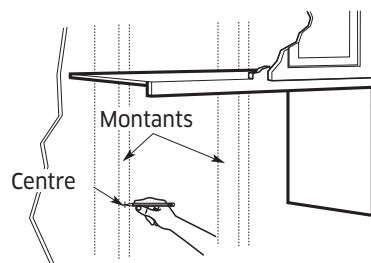


1. Retirez les consignes d'installation, l'adaptateur du système d'évacuation, les filtres, le plateau en verre et le sachet contenant le matériel. Ne retirez pas la mousse de polystyrène protégeant l'avant du four.
2. Pliez les 4 rabats du carton contre ses côtés. Retournez avec précaution le four et le carton. Le four doit reposer sur la mousse de polystyrène.
3. Tirez le carton vers le haut.
4. Retirez et jetez les sacs en plastique de manière appropriée.
5. Retirez les 2 vis de la plaque de fixation. Cette plaque est utilisée comme gabarit du mur du fond et pour le montage.

REMARQUE

Conservez les deux vis. Vous devrez réinsérer les vis dans leurs emplacements d'origine après avoir retiré la plaque de montage.

B. Détection des montants

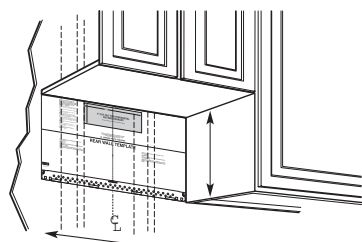


1. Recherchez les montants en utilisant l'une des méthodes suivantes :
 - A. À l'aide d'un détecteur de clous - un appareil magnétique qui localise les clous.
 - OU**
 - B. Utilisez un marteau pour taper légèrement sur la surface de montage jusqu'à ce que vous entendiez un son solide. Cela indique l'emplacement d'un montant.
2. Après avoir localisé le ou les montants, localisez le centre du montant en sondant le mur avec un petit clou pour trouver les bords du montant. Puis tracez un repère au centre entre des arêtes. Le centre des montants adjacents doit être situé à 16 ou 24 po de ce repère.
3. Tracez un trait vertical à partir du centre des montants.

LE FOUR MICRO-ONDES DOIT ÊTRE FIXÉ À AU MOINS UN DES MONTANTS.

Guide d'installation étape par étape

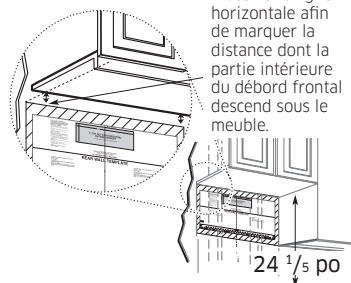
C. Détermination de l'emplacement de la plaque murale sous le meuble



Au moins 30 po

Position de la plaque - sous une armoire à fond plat.

Tracez un trait vertical sur le mur du fond, au centre de l'espace de 30 po de large. Fixez le gabarit du fond au mur afin que la partie supérieure du gabarit touche la partie inférieure du meuble et que le trait central du gabarit soit aligné avec la ligne que vous avez tracée sur le mur.

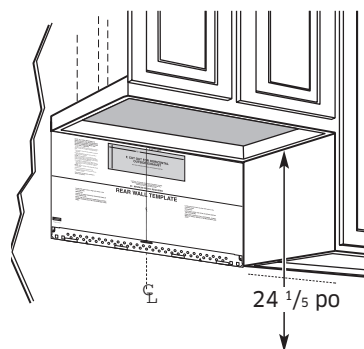


Tracez une ligne horizontale afin de marquer la distance dont la partie intérieure du débord frontal descend sous le meuble.

Position de la plaque - sous une armoire inférieure encastrée avec un surplomb avant.

Tracez un trait vertical sur le mur du fond, au centre de l'espace de 30 po de large. Tracez une deuxième ligne horizontale sur le mur situé sous le meuble afin de marquer la distance dont la partie intérieure du débord frontal descend sous le meuble. Fixez le gabarit du fond au mur afin que la partie supérieure du gabarit touche le bas de la ligne horizontale et que le trait central du gabarit soit aligné avec la ligne verticale.

24 1/5 po



Position de la plaque - sous un fond d'armoire encastré encadré.

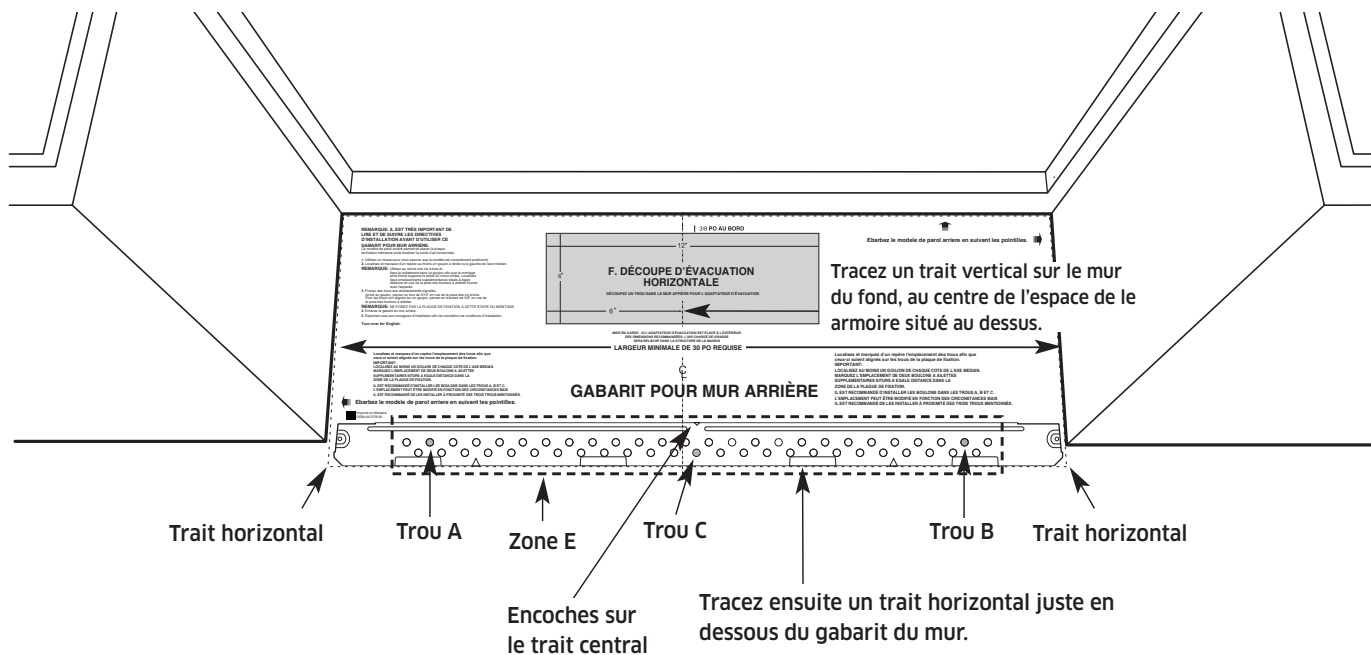
Tracez un trait vertical sur le mur du fond, au centre de l'espace de 30 po de large. Fixez le gabarit du fond au mur afin que la partie supérieure du gabarit touche la partie inférieure du cadre du meuble et que le trait central du gabarit soit aligné avec la ligne que vous avez tracée sur le mur.

Si le meuble sur lequel vous souhaitez fixer l'appareil comporte des ornements décoratifs, ces derniers risquent de gêner l'installation. Retirez ces ornements pour assurer une installation et une mise à niveau correctes du four.

IL EST TRÈS IMPORTANT QUE LE FOUR MICROONDES SOIT À NIVEAU.

Utilisez un niveau pour vous assurer que le plancher du meuble est bien à horizontale.

D. Alignement de la plaque murale



⚠ ATTENTION

portez des gants car les bords de la plaque sont très tranchants.

- Tracez ensuite une ligne horizontale juste en dessous du gabarit du mur.
- Percez des trous de $\frac{5}{8}$ po pour les boulons à ailettes à 2 emplacements (trou A, trou B) comme indiqué sur l'illustration ci-dessus. Si l'emplacement d'un trou est aligné sur un montant, percez un trou de $\frac{3}{16}$ po en vue de la pose d'une vis à bois. Les boulons à ailettes ne peuvent être utilisés pour fixer la plaque murale à un montant.
- Les trous A et B sont à l'intérieur de la zone E. Si aucun de ces trous ne s'aligne avec un montant, trouvez un montant dans la zone E qui s'aligne avec un cercle de trous dans la zone E, puis percez un trou de $\frac{3}{16}$ po pour vis à bois. Vous devez utiliser au moins une vis à bois et la fixer solidement dans un montant afin que le montage ainsi formé supporte le poids du four à micro-ondes. Mettez la plaque de montage de côté.

📖 REMARQUE

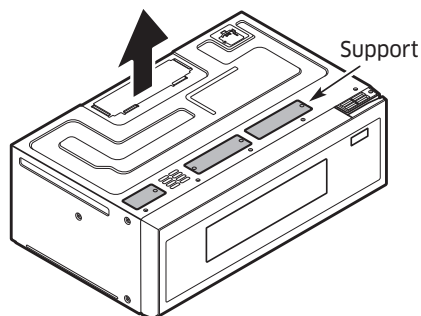
NE POSEZ PAS ENCORE LA PLAQUE À CETTE ÉTAPE DU MONTAGE.

Guide d'installation étape par étape

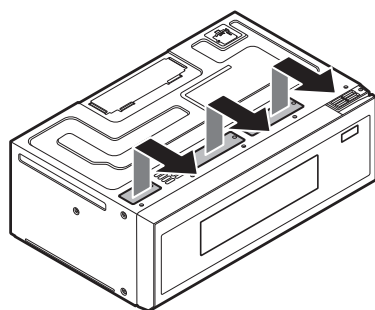
Étape 2 : Types de ventilation (sélectionnez A, B ou C)

Ce four à micro-ondes est compatible avec les trois systèmes de ventilation suivants :

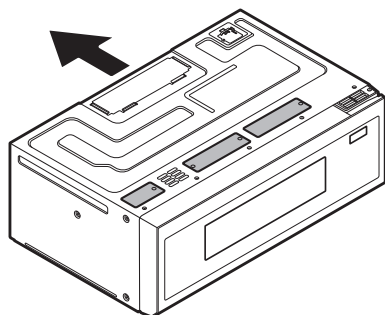
A. Système d'évacuation par le haut (conduit vertical)



B. Circulation de l'air en circuit fermé (sans conduit et sans évents)



C. Système d'évacuation par l'arrière (conduit horizontal)

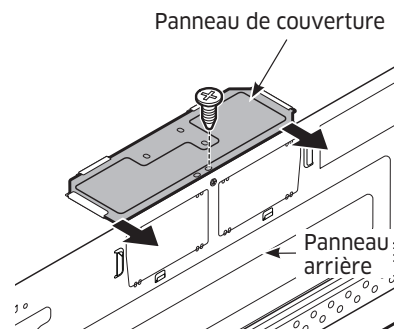


REMARQUE

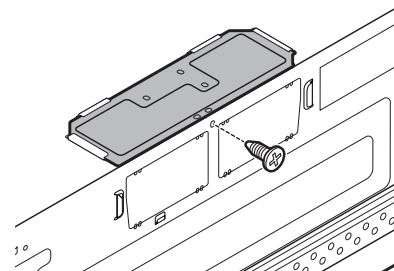
Ce micro-ondes est expédié assemblé pour la recirculation. Un adaptateur du système d'évacuation est livré assemblé et fixé à la cale supérieure. Sélectionnez le système de ventilation adapté à votre installation et reportez-vous à la section correspondante.

A. Système d'évacuation par le haut (conduit vertical)

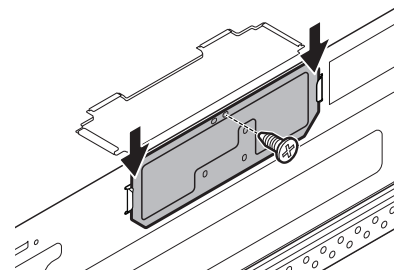
A1. ADAPTATION DU PANNEAU DE PROTECTION POUR L'ADAPTATEUR D'ÉCHAPPEMENT



1. Retirez 1 vis du panneau de couverture et retirez le panneau de couverture.

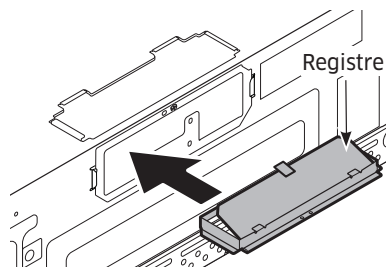


2. Retirez 1 vis du panneau arrière.

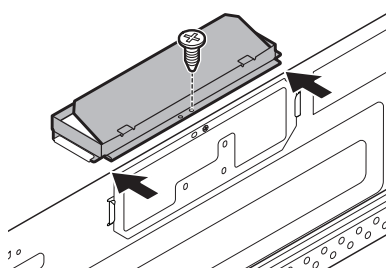


3. Assemblez le panneau de couverture en le glissant de haut en bas et la vis qui a été retirée du panneau arrière.

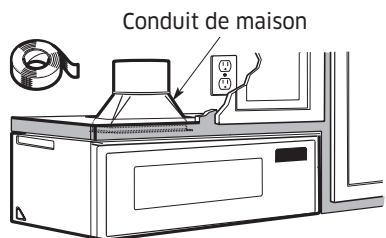
A2. MONTAGE DU REGISTRE



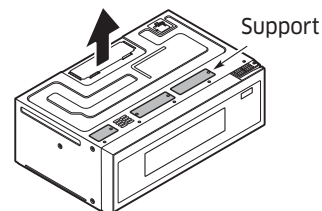
1. Retirez le ruban fixant le registre.
2. Assemblez le registre en le glissant de l'arrière vers l'avant jusqu'à l'arrêt.



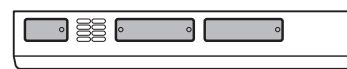
- REMARQUE**
Assurez-vous que les registres oscillent librement.



- REMARQUE**
- Vous devez fixer le conduit de l'habitation à l'adaptateur du système d'évacuation après avoir terminé l'installation.
 - Vous devez sceller les joints du conduit d'échappement à l'aide de ruban adhésif.



- REMARQUE**
Vous devez vérifier l'image du support en fonction du type de ventilation à la page 12.

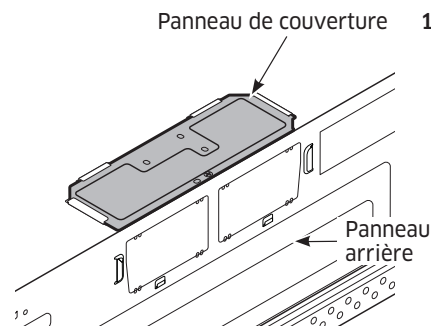


Les supports marqués ne doivent pas avoir de trous d'aération.

- REMARQUE**
Appliquer A1 et A2 de manière égale.

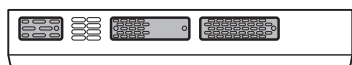
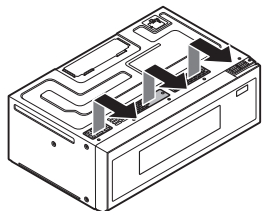
B. Circulation de l'air en circuit fermé (sans conduit et sans événements)

B1. Adaptation du PANNEAU DE COUVERTURE pour la recirculation



1. Assurez-vous que le panneau de couverture est assemblé correctement. (Assemblage supérieur)

Guide d'installation étape par étape



Les supports marqués doivent avoir des trous d'aération.

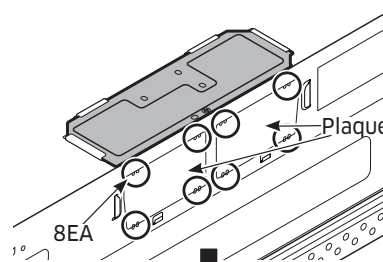
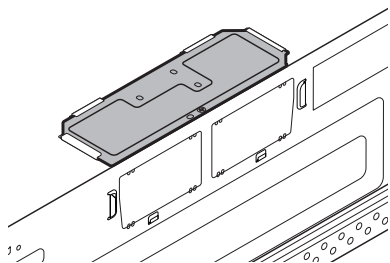
REMARQUE

- L'adaptateur d'échappement avec le registre n'est pas nécessaire pour le type à recirculation. Vous pouvez toutefois les conserver en vue d'une utilisation ultérieure éventuelle.
- Vous devez vérifier l'image du support en fonction du type de ventilation à la page 12.

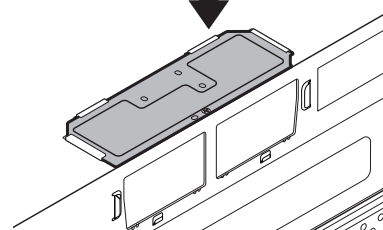
C. Système d'évacuation par l'arrière (conduit horizontal)

C1. Adaptation du PANNEAU DE COUVERTURE pour échappement arrière extérieur

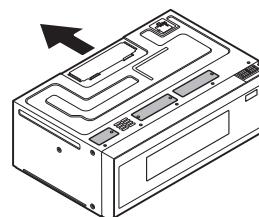
1. Assurez-vous que le panneau de couverture est assemblé correctement. (Assemblage supérieur)



2. Coupez 8 zones pour retirer les plaquettes à l'aide d'une pince.

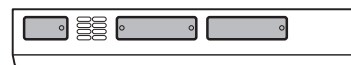


Après avoir retiré les plaques

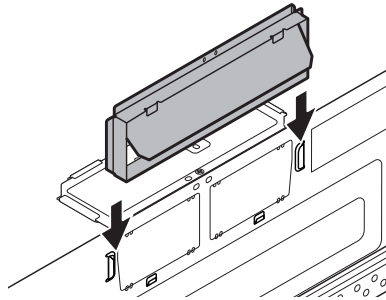


REMARQUE

Vous devez vérifier l'image du support en fonction du type de ventilation à la page 12.



Les supports marqués ne doivent pas avoir de trous d'aération.



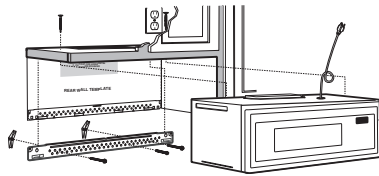
3. Retirez le ruban fixant le registre.
4. Assemblez le registre en glissant du haut vers le bas jusqu'à l'arrêt.

REMARQUE

Assurez-vous que les registres oscillent librement.

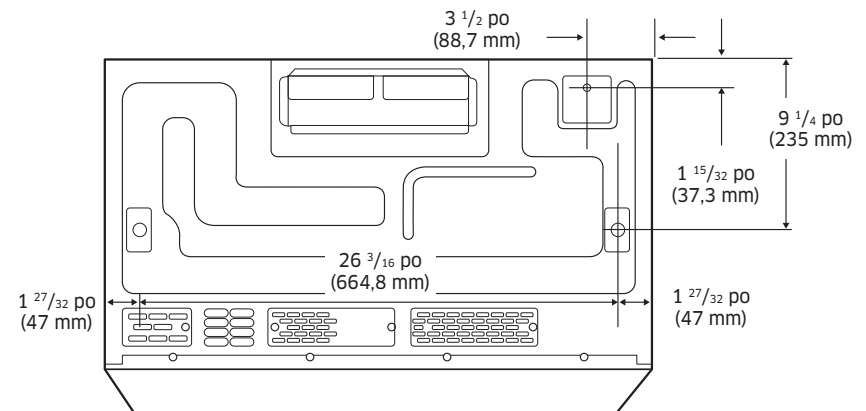
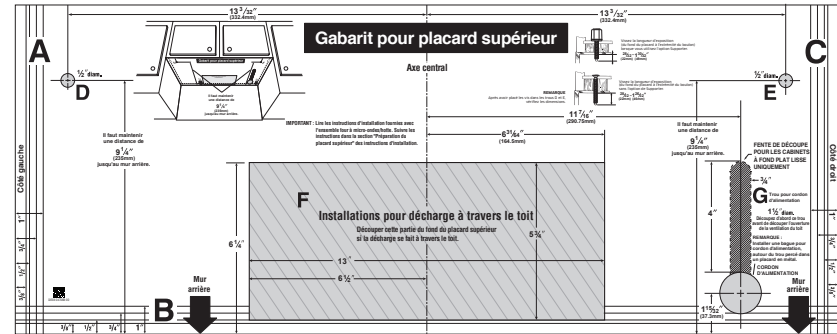
Étape 3 : Installation

PRÉSENTATION DE L'INSTALLATION



- A. Préparez le mur arrière (pour l'évacuation arrière extérieure/ conduit horizontal uniquement)
- B. Fixation de la plaque murale
- C. Préparez l'armoire du dessus
- D. Montage du four micro-ondes
- E. Raccordez les conduits (pour l'évacuation supérieure extérieure/ conduit vertical uniquement)

Dim. Comparaison

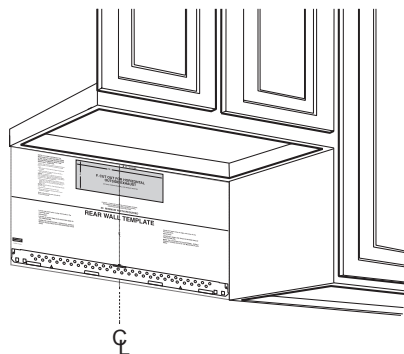


Guide d'installation étape par étape

Guide d'installation étape par étape

A. Préparez la paroi arrière pour l'échappement arrière extérieur

Vous devez pratiquer une ouverture dans le mur du fond pour installer le système d'évacuation.

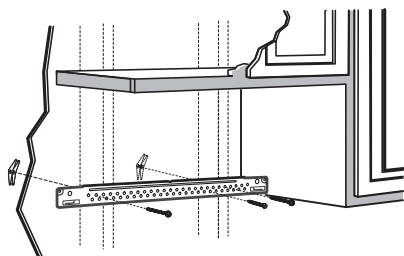


- Lisez les instructions relatives au système d'évacuation par l'arrière figurant sur le GABARIT DU MUR DU FOND.
- Fixez le GABARIT DU MUR DU FOND au mur arrière.
- Pratiquez l'ouverture en respectant les instructions figurant sur le GABARIT DU MUR DU FOND.

⚠ ATTENTION

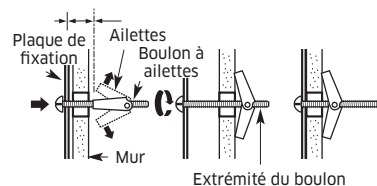
Ne pratiquez pas une ouverture dans le mur du fond si vous souhaitez installer le four micro-ondes avec une ventilation sans conduit et sans événements ou à conduit vertical.

B. Fixation de la plaque murale



Fixez la plaque au mur à l'aide de boulons à ailettes. Au moins une vis à bois est nécessaire pour fixer la plaque à un goujon.

1. Retirez les ailettes des boulons.
2. Insérez les boulons dans la plaque de fixation via les trous pour cloison sèche, puis remettez les ailettes de telle sorte que $\frac{3}{4}$ po du boulon dépasse l'ailette.



3. Placez la plaque de montage contre le mur, pincez les ailes de chaque bascule ensemble, puis insérez les ailes à bascule de chaque bascule dans et à travers les trous du mur.

📖 REMARQUE

avant de serrer les boulons à ailettes et la vis à bois, assurez-vous que la partie inférieure de la plaque de fixation est alignée sur le trait horizontal inférieur du gabarit du mur du fond ; assurez-vous également que la plaque est correctement centrée sous le meuble.

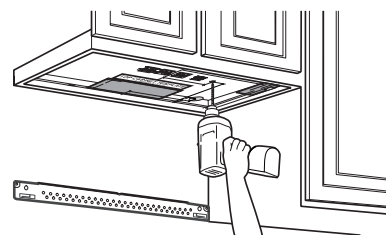
⚠ ATTENTION

veillez à ne pas vous pincer les doigts entre l'arrière de la plaque et le mur.

4. Serrez tous les boulons. Retirez la plaque du mur pour faciliter l'opération. Serrez la vis.

C. Utilisez le gabarit de l'armoire supérieure pour préparer l'armoire du dessus

Vous devez percer des trous pour les vis de fixation supérieure et un trou de diamètre suffisamment important pour y faire passer le cordon d'alimentation.

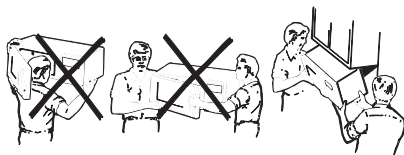


- Lisez les instructions figurant sur le GABARIT DU MEUBLE HAUT.
- Collez-le sous le plancher du meuble haut.
- Percez les trous en respectant les instructions figurant sur le GABARIT DU MEUBLE HAUT.

⚠ ATTENTION

portez des lunettes de sécurité pendant cette dernière opération.

D. Montage du four micro-ondes

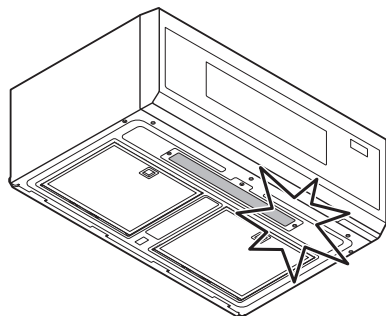


POUR PLUS DE FACILITÉ ET DE SÉCURITÉ LORS DE L'INSTALLATION DE L'APPAREIL, DEUX PERSONNES SONT NÉCESSAIRES.

IMPORTANT: évitez de saisir ou d'accrocher la poignée du four pendant l'installation.

REMARQUE

- si votre meuble est en métal, placez la rondelle en nylon dans le trou du cordon d'alimentation afin d'éviter de couper ce dernier.
- des cales sont nécessaires pour le montage de cette unité sous un meuble encastré ou avec débord frontal. (Voir page 10.)

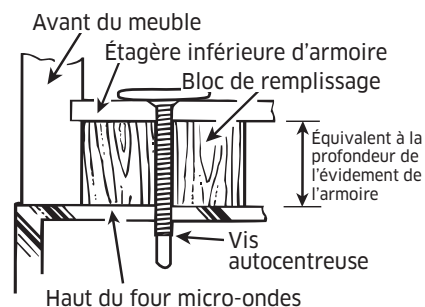
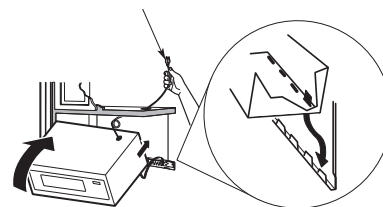


IMPORTANT: les dommages causés à l'habillage du meuble qui pourraient survenir à cause du serrage excessif des vis provoqué par la non-utilisation de cales n'est pas couvert par la garantie.

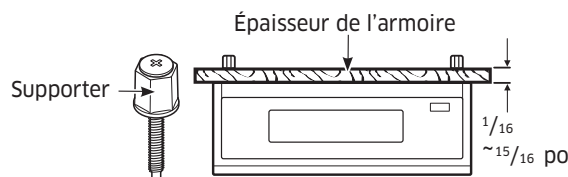
IMPORTANT: Veillez à ne pas endommager le verre de la lampe inférieure pendant la manipulation.

REMARQUE

lors du montage du four, faites passer le cordon d'alimentation dans le trou pratiqué dans le plancher du meuble haut. Gardez-le bien serré tout au long des étapes 1 à 3. Ne pincez pas le cordon et ne soulevez pas le four en tirant sur le cordon.

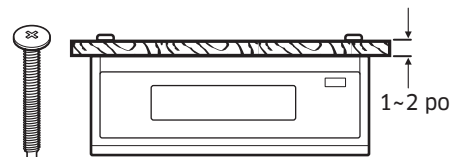


1. Soulevez le microondes, inclinez-le vers l'avant et faites correspondre les encoches situées à l'arrière et en bas avec les quatre pattes inférieures de la plaque de fixation.
2. Faites pivoter la partie frontale du four vers le haut contre le dessous du meuble.
3. Insérez une vis autocentreuse dans le trou central du meuble haut. Fixez temporairement le four en faisant effectuer à la vis au moins **deux tours complets** après l'engagement des filets. (Elle sera complètement serrée ultérieurement.) Assurez-vous de conserver le cordon d'alimentation correctement connecté. **Attention à ne pas coincer le cordon, en particulier au moment où vous montez le four à fleur contre le plancher du meuble.**



REMARQUE

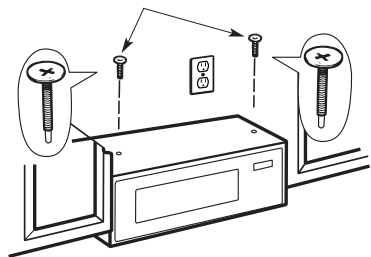
Si l'épaisseur de l'armoire est inférieure à 1 po, utilisez un supporter.



REMARQUE

La vis autocentreuse peut être installée jusqu'à une profondeur de 1 ¹⁵/₁₆ po (49 mm).

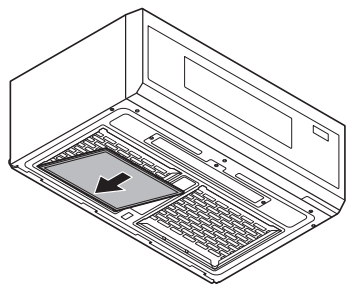
Guide d'installation étape par étape



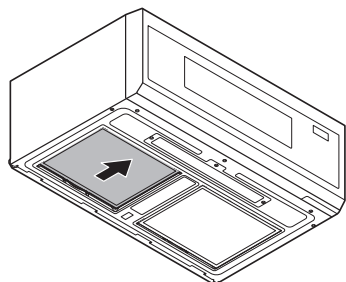
4. Fixez le four micro-ondes sur le meuble haut.
5. Insérez 2 vis autocentreuses à travers le fond du meuble et des cales dans les trous extérieurs du meuble haut de l'unité. Continuez le soutien l'unité jusqu'à ce que les deux vis soient insérées et engagées d'au moins deux tours complets, puis serrez complètement toutes les vis jusqu'à ce que l'unité soit sécurisée.

E. Installation des filtres à charbon et des filtres à graisse

E1. Méthode d'assemblage du filtre à charbon

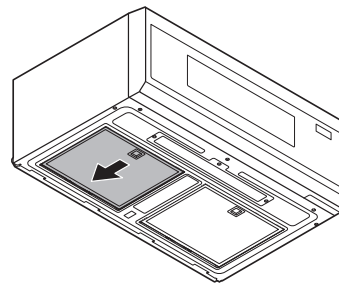


1. Insérez le filtre à charbon par l'arrière.



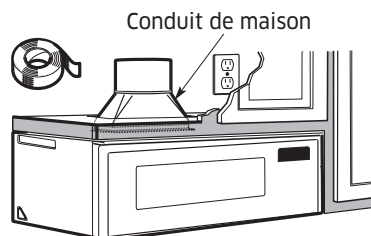
2. Soulevez l'avant du filtre à charbon jusqu'à ce qu'il repose à plat sur le fond, puis tirez-le vers l'avant pour l'immobiliser.

E2. Méthode d'assemblage du filtre à graisse



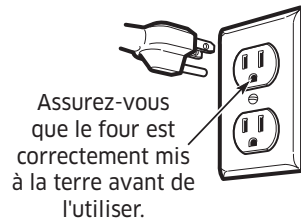
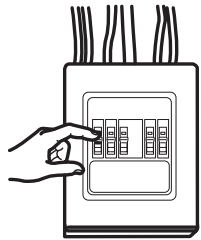
1. Poussez le filtre à graisse vers l'arrière et insérez le filtre à graisse jusqu'à ce qu'il soit plat avec la surface inférieure des produits.

F. Connectez le réseau de conduits pour l'échappement supérieur extérieur



1. Tirez le conduit de la cuisine vers le bas pour le relier à l'adaptateur du système d'évacuation.
2. Scellez les joints du conduit du système d'évacuation à l'aide d'un ruban adhésif en toile.

Étape 4 : Avant d'utiliser votre four micro-ondes



1. Assurez-vous que le four micro-ondes a été installé conformément aux instructions.
2. Retirez tout élément d'emballage du four micro-ondes.
3. Installez le plateau tournant et la bague dans la cavité.
4. Remplacez le fusible ou remettez le disjoncteur sous tension.
5. Branchez le cordon d'alimentation sur une prise dédiée de 15 A.
6. Lisez le manuel d'utilisation.



7. Conservez précieusement ces instructions d'installation afin que la personne chargée du contrôle local puisse s'y reporter.



Scannez le code QR* ou rendez-vous sur le site www.samsung.com/spsn pour voir nos vidéos et démonstrations en direct d'utilisation.

* Requiert l'installation d'un lecteur sur votre smartphone

Scan this with your smartphone

Veillez noter que la garantie Samsung n'inclut pas les déplacements du service après-vente pour expliquer le fonctionnement de l'appareil, corriger une installation non correcte ou exécuter des travaux de nettoyage ou d'entretien réguliers.

UNE QUESTION ? UN COMMENTAIRE ?

PAYS	N° DE TÉLÉPHONE	SITE INTERNET
U.S.A Consumer Electronics	1-800-SAMSUNG (726-7864)	www.samsung.com/us/support
CANADA	1-800-SAMSUNG (726-7864)	www.samsung.com/ca/support (English) www.samsung.com/ca_fr/support (French)



DE68-04709B-00