

COMBI-110

24" (60cm) 2-in-1 Combination Washer/Dryer, White



Signature Features

Wash & Dry Your Clothes In One Cycle

Unique washer and dryer combo designed to give you more free time. Load the machine, set to wash + dry, and come back to clean, dry clothes.

Quiet Washing Anytime, Any Place

Get your laundry done without disturbing anyone at any time and in any place.

Tube Clean

This program is specially set in this machine to clean the drum and tube. It applies high-temperature sterilization to make the clothes washing more green.



Features

- 76L / 2.7 cu.ft. Capacity
- 12kg Washing / 8kg Drying
- Condensation Dryer Technology
- 1,400 RPM Spin Speed
- 16 Wash Cycles, 4 Dry Cycles
- 20Min Quick Wash
- Time Saver Mode
- Brushless DC Inverter Motor
- Electronic control with LED Display
- 3D Load Sensor
- Quiet Operation
- Low Water Consumption (112L/Cycle)
- Low Energy Consumption (6.12kWh/Cycle)
- Cold water intake , heats to 90oC
- ENERGY STAR® rated

Programs

- Normal/Cotton
- Perm Press
- Heavy Duty
- Bulk/Large
- Sport Wear
- Spin Only
- Drain Only
- Rinse & Spin
- Tub Clean
- Cold Wash
- Sanitary
- Baby Care
- Wool
- Delicates
- Quick Wash

Specifications

Product Dimensions (W/H/D)

- 23¹/₂" / 33¹/₂" / 23¹/₂"
- 595mm / 850 / 595mm

Cut Out Dimensions (W/H/D)

- 24" / min. 35" / 26¹/₂"
- 600mm / min. 889 / 673mm

Electrical Requirements

- 208/240 V / 60 Hz / 15 Amp
- Supplied with a Canadian Cord & Plug

Water Pressure (Mpa)

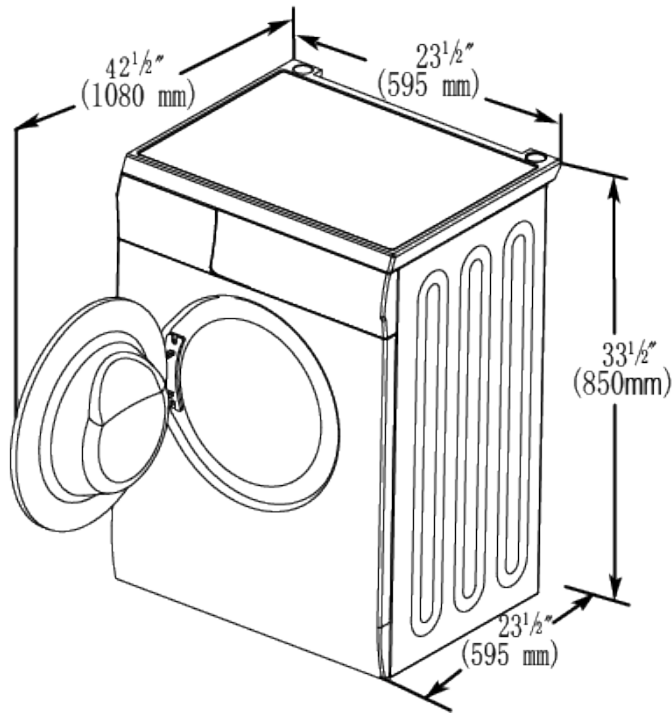
- 0.05 Mpa – 1 Mpa

COMBI-110

Specifications



Install Details



Specifications

Product Dimensions (W/H/D)

- 23^{1/2}" / 33^{1/2}" / 23^{1/2}"
- 595mm / 850 / 595mm

Cut Out Dimensions (W/H/D)

- 24" / min. 35" / 26^{1/2}"
- 600mm / min. 889 / 673mm

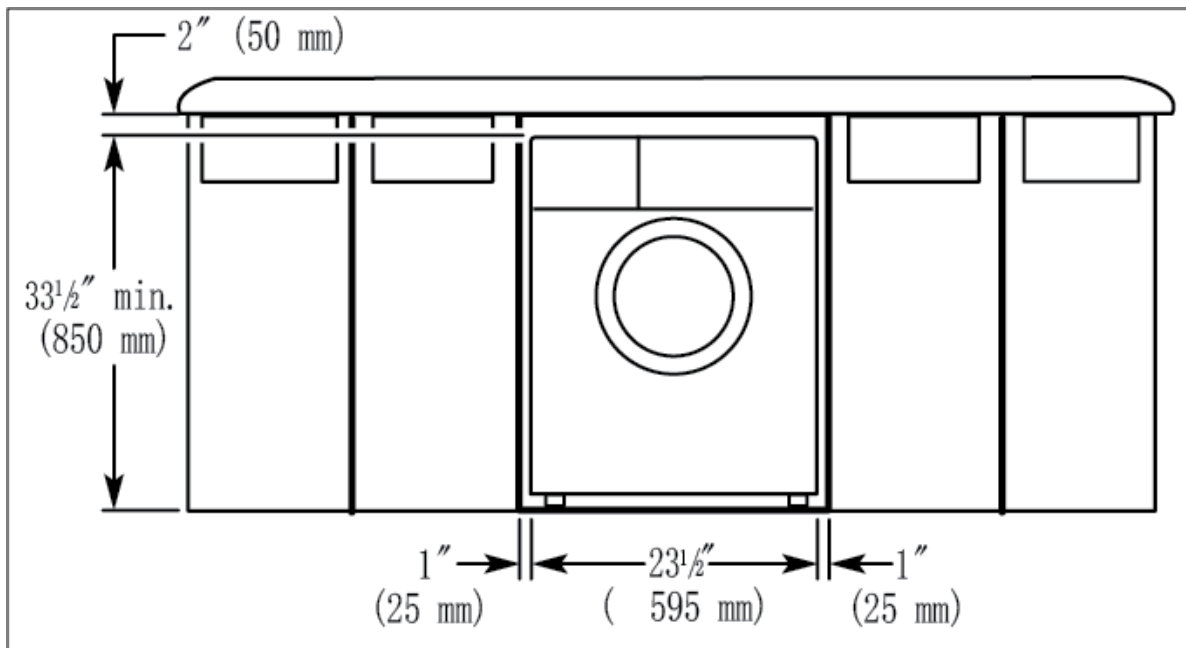
Electrical Requirements

- 208/240 V / 60 Hz / 15 Amp
- Supplied with a Canadian Cord & Plug

Water Pressure (Mpa)

- 0.05 Mpa – 1 Mpa

Installation Clearances



1. The location must be large enough to allow the washer door to be fully opened.
2. Additional spacing should be considered for ease of installation and servicing. The door opens more than 90° and is not reversible.
3. Additional clearances might be required for wall, door, and floor moldings.
4. Additional spacing of 25mm on all sides of the washer is recommended to reduce noise transfer.
5. Companion appliance spacing should also be considered.

Other Product Downloads Available at porterandcharles.ca

- [Download User Manual](#)



WARRANTY INFORMATION

Porter & Charles Appliances are designed and manufactured to the highest standards. Each appliance is covered by a comprehensive 2-year parts and labour warranty. Refer to product warranty policy for complete terms and conditions.

FOR PARTS & SERVICE

Euro-Parts & Service
39822 Belgrave Road, Belgrave, ON. N0G 1E0 1 866 722 2262
www.euro-parts.ca • parts@euro-parts.ca • service@euro-parts.ca

Porter & Charles appliances are imported and distributed in North America by Euro-Line Appliances Inc. For more information, please visit one of our showrooms or www.ela.ca / www.elawest.ca

EURO-LINE APPLIANCES INC.

871 Cranberry Court, Oakville, ON
L6L 6J7 Canada
905 829 3980
1 800 421 6332
info@ela.ca

EURO-LINE APPLIANCES INC.

101-1014 Homer Street, Vancouver, BC
V6B 2W9, Canada
604 235 3980
1 855 ELA WEST (352 9378)
info@elawest.ca