

# PYRAMID-30

30" Pyramid Wall-Mount Range Hood



## Signature Features

### Electronic Back Lit Push Buttons

Manages the fan speed and two LED light strips.

### Brighten Your Cooktop

LED Lights illuminate the cooktop and are brighter and more energy-efficient.

### Take Control Over Your Cooking Space

3-speed ventilation effectively filters steam, grease, and odors from the air.



## FEATURES

- 3-Speed adjustment
- Electronic micro switch with square push buttons
- Strip LED Lamp
- 1 x motor + 2-Piece fan
- 2 x dishwasher safe perforated filters
- Quiet (8 sones/58 dB) 500 CFM motor

## DUCT SIZE

- 6" Duct Size

## ACCESSORIES

- CF-B : Charcoal Filters
- BF-A1 : Baffle Filters
- EFP-P&C : 9' ceiling - 2 pieces high ceiling extension flue

## SPECIFICATIONS

### Product Dimensions (W/H/D)

- 30" / 23<sup>5/8"</sup> - 46<sup>7/16"</sup> / 18<sup>15/16"</sup>
- 762mm / 600mm-1180mm / 481mm

### Electrical Requirements

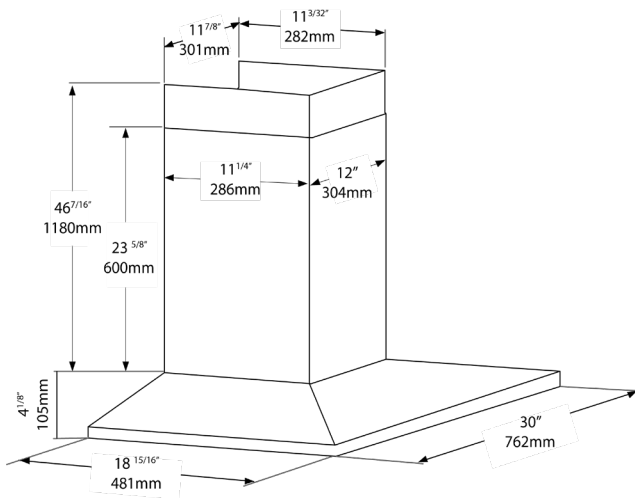
- 115 Volt, 60 Hz, 15 Amp
- P&C Range hoods are supplied with a Canadian cord and plug.

# PYRAMID-30

## Specifications



### Dimensions



### Specifications

#### Product Dimensions (W/H/D)

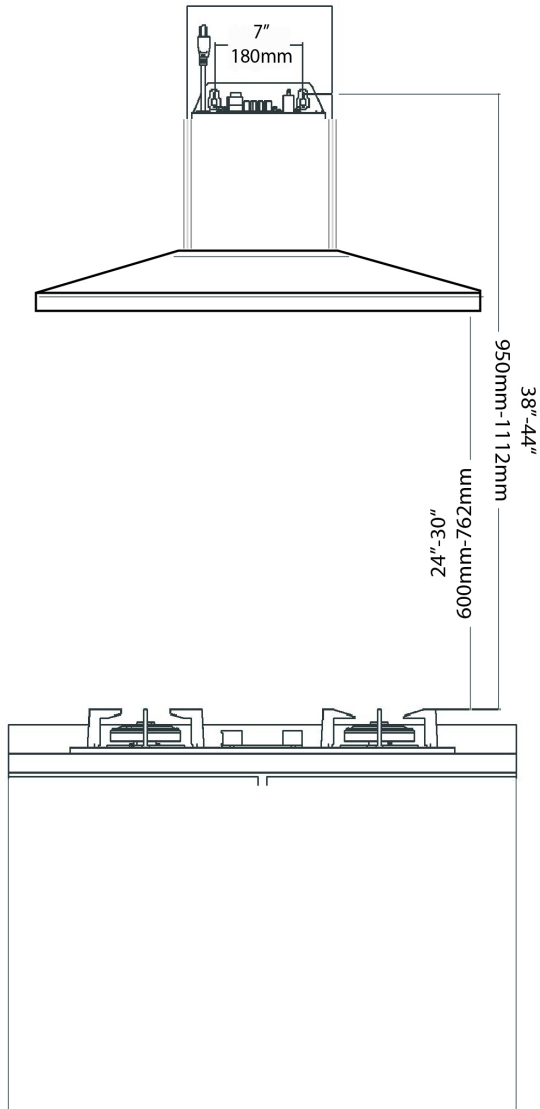
- 30" / 23<sup>5/8</sup>" - 46<sup>7/16</sup>" / 18<sup>15/16</sup>"
- 762mm / 600mm-1180mm / 481mm

#### Electrical Requirements

- 115 Volt, 60 Hz, 15 Amp
- P&C Range hoods are supplied with a Canadian cord and plug.

#### Installation

- The range hood should be mounted at a distance of 24" (600mm) from an electric or induction cooktop and 30" (762mm) above the gas cooktop for safety and optimum performance. If the instructions for installing the gas cooktop specify a greater distance, this has to be taken into account. The exhaust air must not be discharged into a flue used for exhausting fumes from other appliances burning gas or other fuels.



Other Product Downloads Available at [porterandcharles.ca](http://porterandcharles.ca)

- [Download User Manual / Instruction Manual](#)



#### WARRANTY INFORMATION

Porter & Charles Appliances are designed and manufactured to the highest standards. Each appliance is covered by a comprehensive 2-year parts and labour warranty. Refer to product warranty policy for complete terms and conditions.

#### FOR PARTS & SERVICE

Euro-Parts & Service  
39822 Belgrave Road, Belgrave, ON. N0G 1E0 1 866 722 2262  
[www.euro-parts.ca](http://www.euro-parts.ca) • [parts@euro-parts.ca](mailto:parts@euro-parts.ca) • [service@euro-parts.ca](mailto:service@euro-parts.ca)

Porter & Charles appliances are imported and distributed in North America by Euro-Line Appliances Inc. For more information, please visit one of our showrooms or [www.ela.ca](http://www.ela.ca) / [www.elawest.ca](http://www.elawest.ca)

#### EURO-LINE APPLIANCES INC.

871 Cranberry Court, Oakville, ON  
L6L 6J7 Canada  
905 829 3980  
1 800 421 6332  
[info@ela.ca](mailto:info@ela.ca)

#### EURO-LINE APPLIANCES INC.

101-1014 Homer Street, Vancouver, BC  
V6B 2W9, Canada  
604 235 3980  
1 855 ELA WEST (352 9378)  
[info@elawest.ca](mailto:info@elawest.ca)