

# INSERT-24

24" Built-In Insert Rangehood



## Signature Features

### Three Speed Adjustments

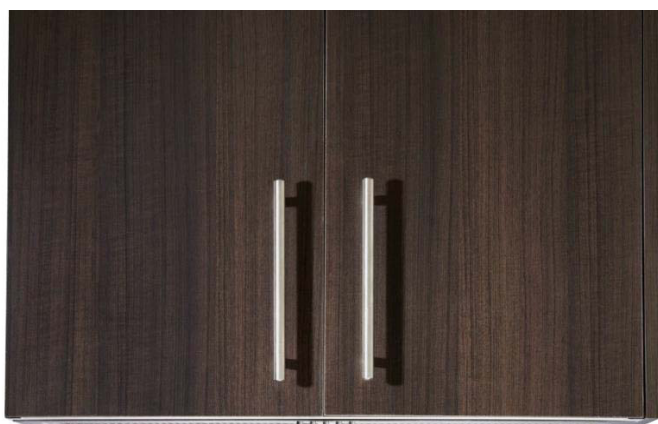
Three different speeds to tackle cooking odors and eliminate smoke from cooking as needed.

### LED Lighting Strip

LED lights illuminate the cooktop and are brighter more energy efficient.

### Electronic Push Buttons

Add a sophisticated look with this up-front, easy-to-use display.



## Features

- European Under Cabinet Style
- Stainless Steel
- 3 Speed adjustment
- 2 x Perforated Filter
- Electronic Push Buttons
- LED Strip Lamp
- Quiet (7 Sones / 56 dB)
- 300 CFM Motor

### Ducting Outlet

- 6" (150mm)

## Technical Specifications

### Product Dimensions (W//D)

- 23<sup>5</sup>/<sub>8</sub>" / 11<sup>7</sup>/<sub>16</sub>"
- 600mm / 290mm

### Cut Out Dimensions (W//D)

- 21<sup>3</sup>/<sub>4</sub>" / 10<sup>11</sup>/<sub>16</sub>"
- 552mm / 272mm

### Weight

- Net Weight: 6.8kg (14 lbs.)
- Gross Weight: 8.8kg (19 lbs.)

### Electrical Requirements

- 115 V / 60 Hz / 15 Amp
- Rated Input Power: 97 Watts
- Rated Output Power: 95 Watts
- Supplied with a Canadian Cord and Plug

# INSERT-24

## Specifications



### Product Dimensions (W//D)

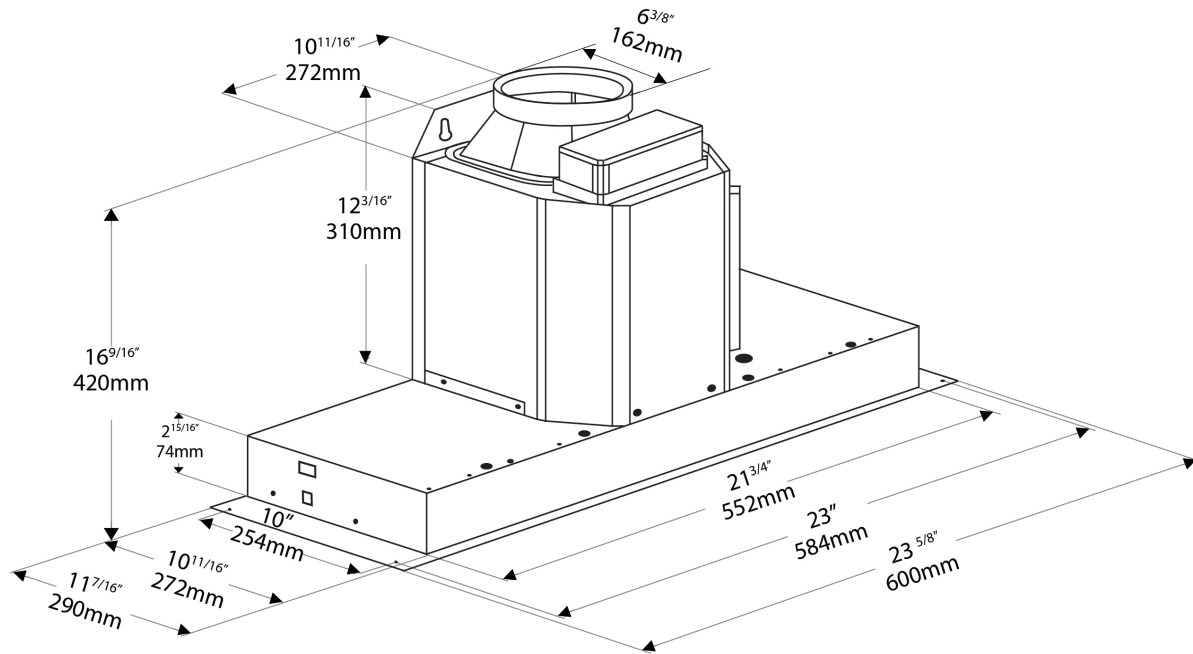
- 23<sup>5/8</sup>" / 117<sup>1/16</sup>"
- 600mm / 290mm

### Cut Out Dimensions (W//D)

- 21<sup>3/4</sup>" / 10<sup>11/16</sup>"
- 552mm / 272mm

### Electrical Requirements

- 115 V / 60 Hz / 15 Amp
- Rated Input Power: 97 Watts
- Rated Output Power: 95 Watts
- Supplied with a Canadian Cord and Plug



Other Product Downloads Available at [porterandcharles.ca](http://porterandcharles.ca)

- [Download User Manual](#)



#### WARRANTY INFORMATION

Porter & Charles Appliances are designed and manufactured to the highest standards. Each appliance is covered by a comprehensive 2-year parts and labour warranty. Refer to product warranty policy for complete terms and conditions.

#### FOR PARTS & SERVICE

Euro-Parts & Service  
39822 Belgrave Road, Belgrave, ON. N0G 1E0 1 866 722 2262  
[www.euro-parts.ca](http://www.euro-parts.ca) • [parts@euro-parts.ca](mailto:parts@euro-parts.ca) • [service@euro-parts.ca](mailto:service@euro-parts.ca)

Porter & Charles appliances are imported and distributed in North America by Euro-Line Appliances Inc. For more information, please visit one of our showrooms or [www.ela.ca](http://www.ela.ca) / [www.elawest.ca](http://www.elawest.ca)

#### EURO-LINE APPLIANCES INC.

871 Cranberry Court, Oakville, ON  
L6L 6J7 Canada  
905 829 3980  
1 800 421 6332  
[info@ela.ca](mailto:info@ela.ca)

#### EURO-LINE APPLIANCES INC.

101-1014 Homer Street, Vancouver, BC  
V6B 2W9, Canada  
604 235 3980  
1 855 ELA WEST (352 9378)  
[info@elawest.ca](mailto:info@elawest.ca)