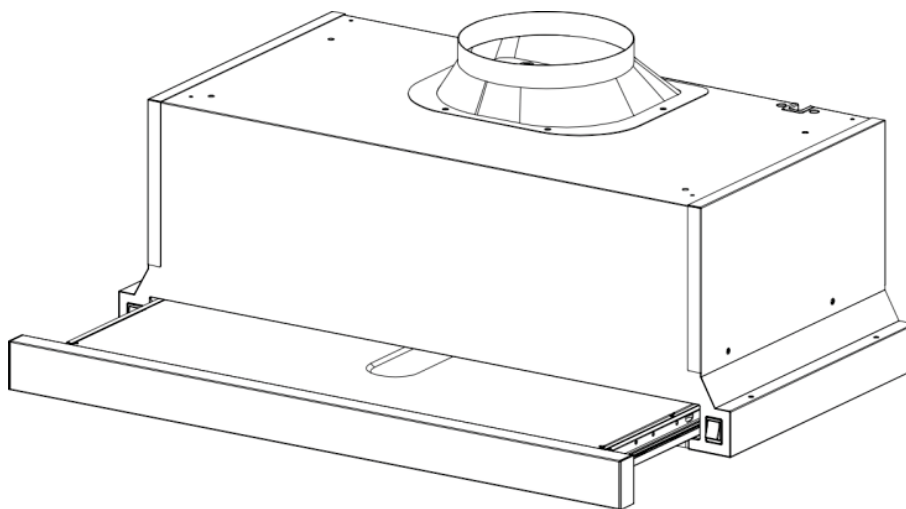




**Glide-24-2**  
**Glide-30-2**  
**Glide-36-2**

## Built-in Range Hood Instruction Manual



Thank you for the purchase of this product.  
Please read the manual carefully before operating the appliance.

## Contents

Safety Precautions	2-4
Accessories	5
Features	6
Installation Preparation	6
Selecting Venting Direction	7
Installation Diagrams	8-10
Cabinet Preparation for Hood Support	11-12
Hood Installation	13
Controls	14
Specifications	15-20
Use and Care	22
Trouble Shooting	22-23
Front handle replacement	24
Handle specification	25
Adjusting bracket usage	26
Warranty Information	27

## Safety Precautions

### READ AND SAVE THESE INSTRUCTIONS

**WARNING - to reduce the risk of fire, electrical shock, or injury, read the following:**

- Read all instructions before using the appliance
- Use of this appliance is only for its intended purpose as described in this manual
- Do not use any accessories that are not recommended by the manufacturer
- This unit must be grounded
- Do not use this appliance for commercial use
- Do not use with any solid-state speed control device
- Installation work and electrical wiring must be done by qualified technicians in accordance with all applicable regulations, codes & standards, including fire rated construction.
- Sufficient air is needed for proper exhausting of gases of fuel burning equipment to prevent backdraft. Follow the manufacturers guidelines and safety standards.
- When replacing an existing range hood with your new P&C range hood, turn OFF the electrical power to the existing unit before removal.
- Unplug the unit before cleaning or servicing
- Do not attempt to repair or replace any parts without first calling for service. **Note:** If for any reason this product requires service, please contact Euro-Parts 1-800-561-4614
- Be careful not to damage existing electrical wiring and/or any other hidden utilities when cutting or drilling into the wall or ceiling.

## **WARNING to reduce risk of cooktop grease fires:**

- Never leave cooking unattended at high temperatures. Boil overs can cause smoke and grease/ oil spillovers may ignite.
- Use pans of the same size as the elements/ burners are suitable for the amount of food being cooked.
- Always turn the hood OFF when cooking at high temperatures and with high flame foods. E.g., crepe suzettes, cherry jubilees and flambés
- Clean ventilation fans frequently. Do not allow grease to accumulate on the fan or filters
- Heat oils and fats slowly on low or medium settings

## **WARNING – to reduce the risk of personal injury in the event of a cooktop fire:**

- Smother flames with a close-fitting lid, metal tray or metal baking sheet. Turn the burner OFF. Avoid burning yourself. Call the fire department if the flames do not extinguish immediately and evacuate the area.
- Never pick up a flaming pan. Leave it on the cooking surface.
- Never use water or wet dish cloths or towels to extinguish a fire. A violent steam explosion may occur.
- Use a fire extinguisher only if
  - you have a Class ABC and you know how to use it.
  - The fire is small and contained
  - The fire dept has been called
  - You have an exit, use the extinguisher with your back to an exit.

## **CAUTION!**

### **Important to observe all governing codes and ordinances.**

- Use for general ventilation only. Never use this appliance to exhaust hazardous or explosive materials and vapors.
- Use only metal ductwork to reduce the risk of fire.
- Avoid damage to the motor or other components, keep drywall spray, construction dust clear of the power unit.
- Read the specification label on the product for further information and requirements.
- Exhaust air from the rangehood into the room to reduce the risk of fire. Do not vent the exhausted air into the space between the wall or ceiling, into the attic, crawl space or garage.

## **CAUTION!**

### **Grounding Instructions**

- This appliance must be grounded. In case of an electrical short circuit, grounding reduces the risk of an electrical shock by providing an escape wire for the electrical current. This appliance has a cord that has a grounding wire with a grounding plug. The plug must be plugged into a properly installed and grounded outlet.
- Improper grounding can result in electrical shock. Consult a qualified electrician when the grounding instructions are unclear or not understandable or when there is doubt that the appliance is correctly grounded.
- Never use an extension cord. When the power cord is too short have a qualified electrician install an outlet near the appliance.
- Never operate any hood with a damaged cord or plug. Discard or return to an authorized service facility for examination and or repair.
- Never run a cord under carpeting or cover with rugs or similar coverings. Do not route the cord under furniture or appliances.

## **CAUTION**

- Ensure adequate ventilation when the rangehood is used at the same time as appliances burning gas or other fuels (not applicable to appliances that only discharge air back into the room).
- There is a risk of fire if regular cleaning is not done in accordance with the instructions.
- Never flambe under the rangehood
- CAUTION Accessible parts may become hot when used with cooking appliances.
- Air must not be discharged into a flue that is used for exhausting fumes from appliances burning gas or other fuels (not applicable to appliances that only discharge air back into the room).
- This appliance is not intended for use by persons with reduced physical, sensory or mental capabilities or lack of experience and knowledge unless they have been given supervision or instruction concerning use of the appliance by a person responsible for their safety. Always supervise children. Never let children play with the appliance.

## Accessories

### Range hood accessories provided:

- 1 x Range hood
- 4 x ST4 16mm
- 4 x ST4 35mm
- 4 x M5 $\Phi$ 5mm Washers
- 2 x M4 screws
- 2 x Filters
- 1x User manual
- 1x Ducting outlet
- 1x adjusting bracket

Check to make sure that all parts and accessories are present and in good condition. If you find any in poor condition or any parts are missing please contact Euro-Parts for assistance 1-800-561-4614

## Features

- o This appliance is manufactured from top quality materials, and offers superb, streamlined effects.
- o With high suction power and low noise, it is designed to remove cooking fumes from your kitchen quietly and effectively.

## Installation Preparation

Note: this procedure requires 2 people for easier installation

### General Preparation

- o Remove range hood from packaging and lay upside down on a table covered with cardboard or paper to prevent scratching of the hood or table.
- o Check the power switch is set to OFF

### Tools needed for installation:

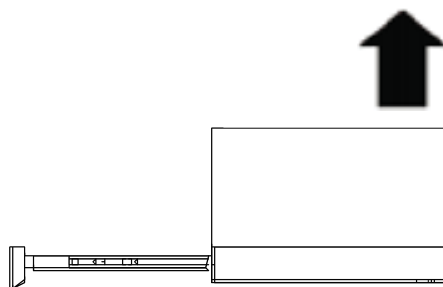
- o Drill
- o 1/8" drill bit for pilot holes
- o 1-1/4" wood bit or drilling electrical wiring access hole
- o Phillips head screwdriver
- o Flat-head screwdriver
- o Pliers
- o Pencil, ruler, and level for marking range hood location
- o Hand saw or jig saw for cutting the wall or cabinet openings
- o Duct Tape
- o Electrical tape
- o Connector clamp

## Selecting the Venting Direction

The rangehood is set up for vertical discharge.  
This is the most common method of hood installation.

Option 1. If your kitchen has an attic space above, the ducting may be run through the cupboard and the attic to a roof cap. Use a 6inch round duct (not included).

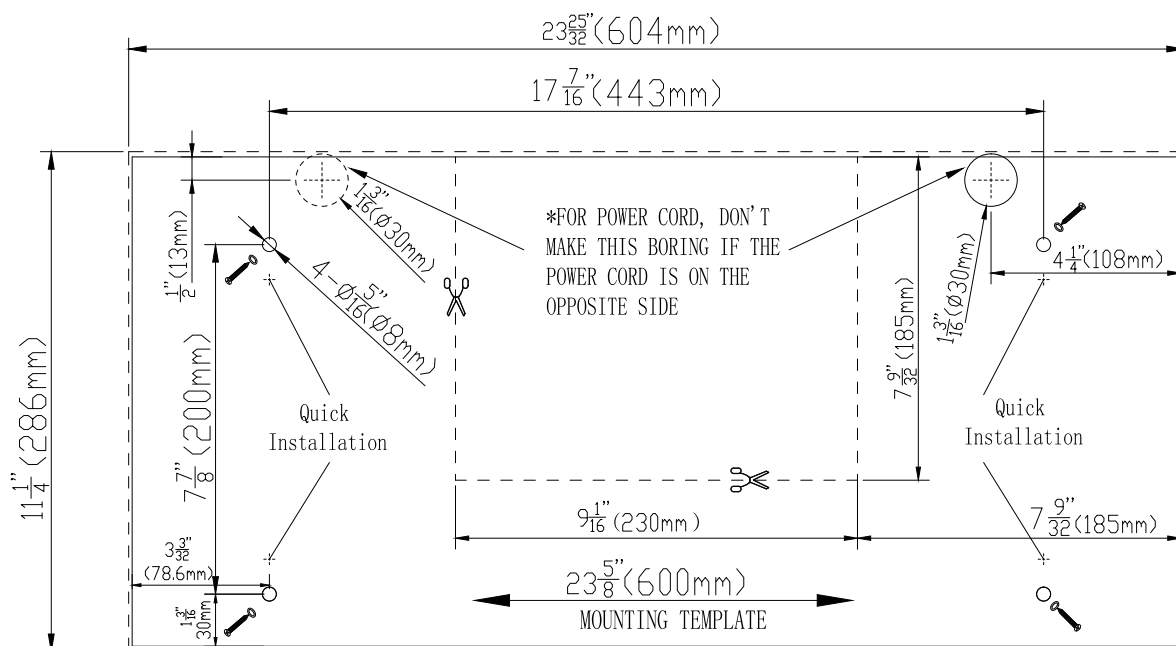
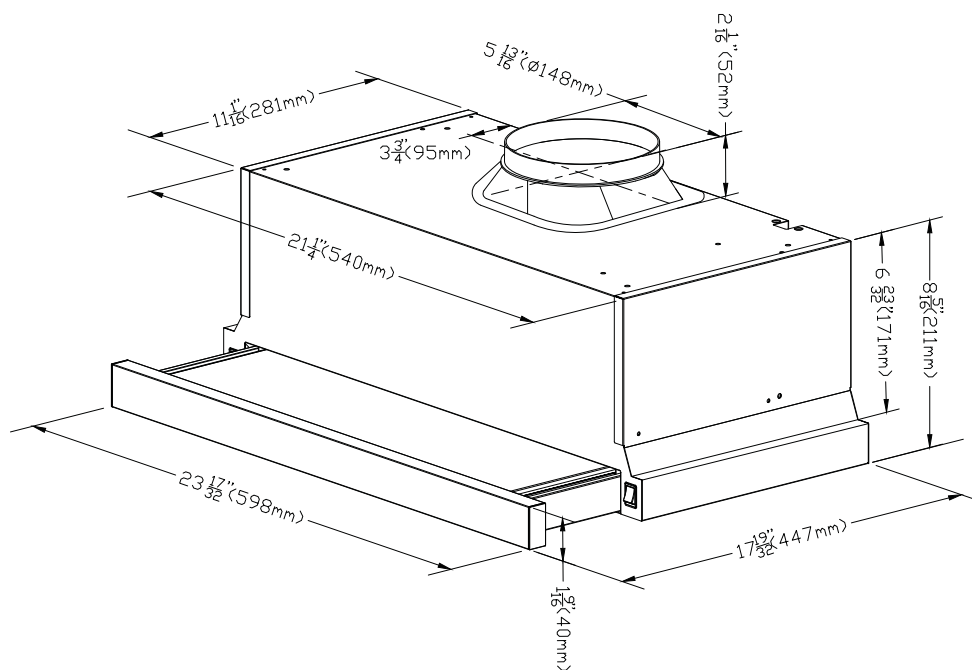
Option 2. If your kitchen has a soffit above the cabinet, the ducting may be run up into the soffit and then through the outside wall to a wall cap.





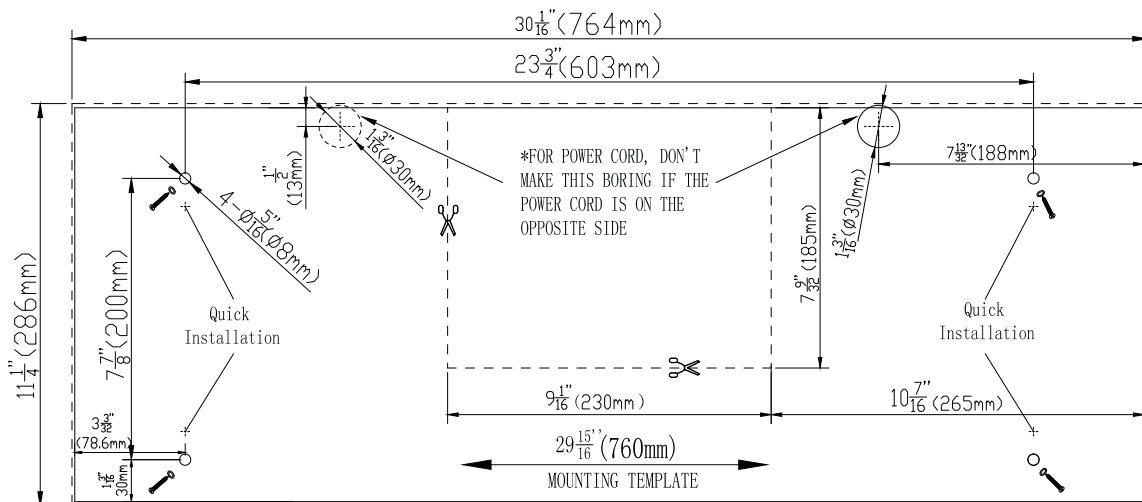
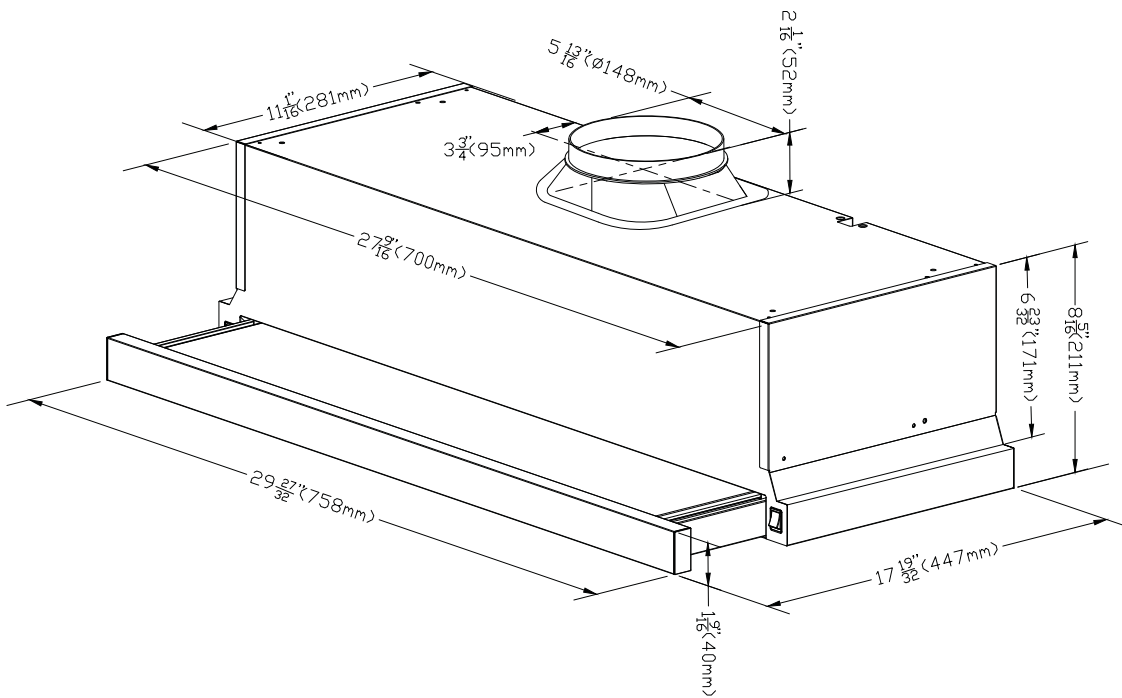
## Installation diagram for External Venting

### Glide-24 -2



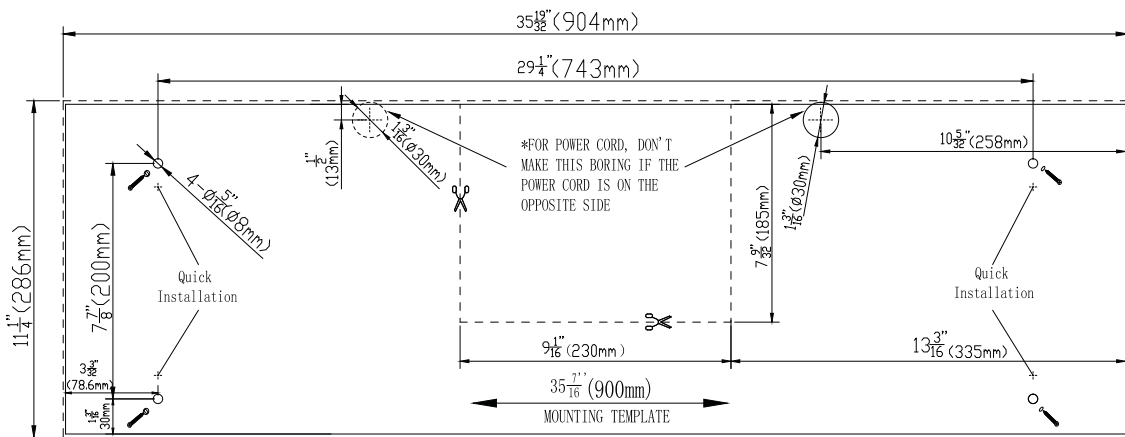
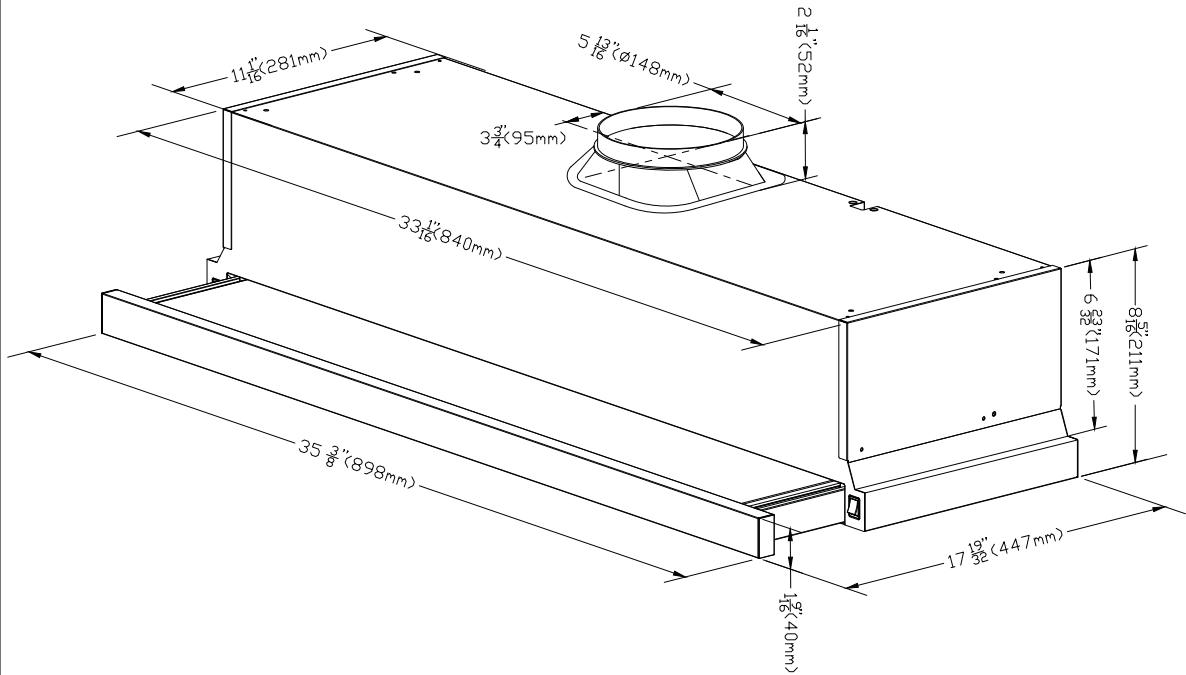
# Installation diagram for External Venting

## Glide-30-2



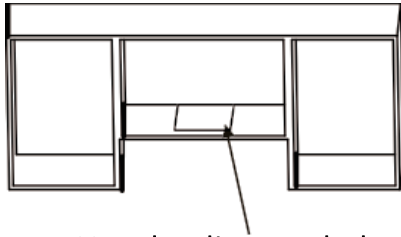
# Installation diagram for External Venting

## Glide-36-2



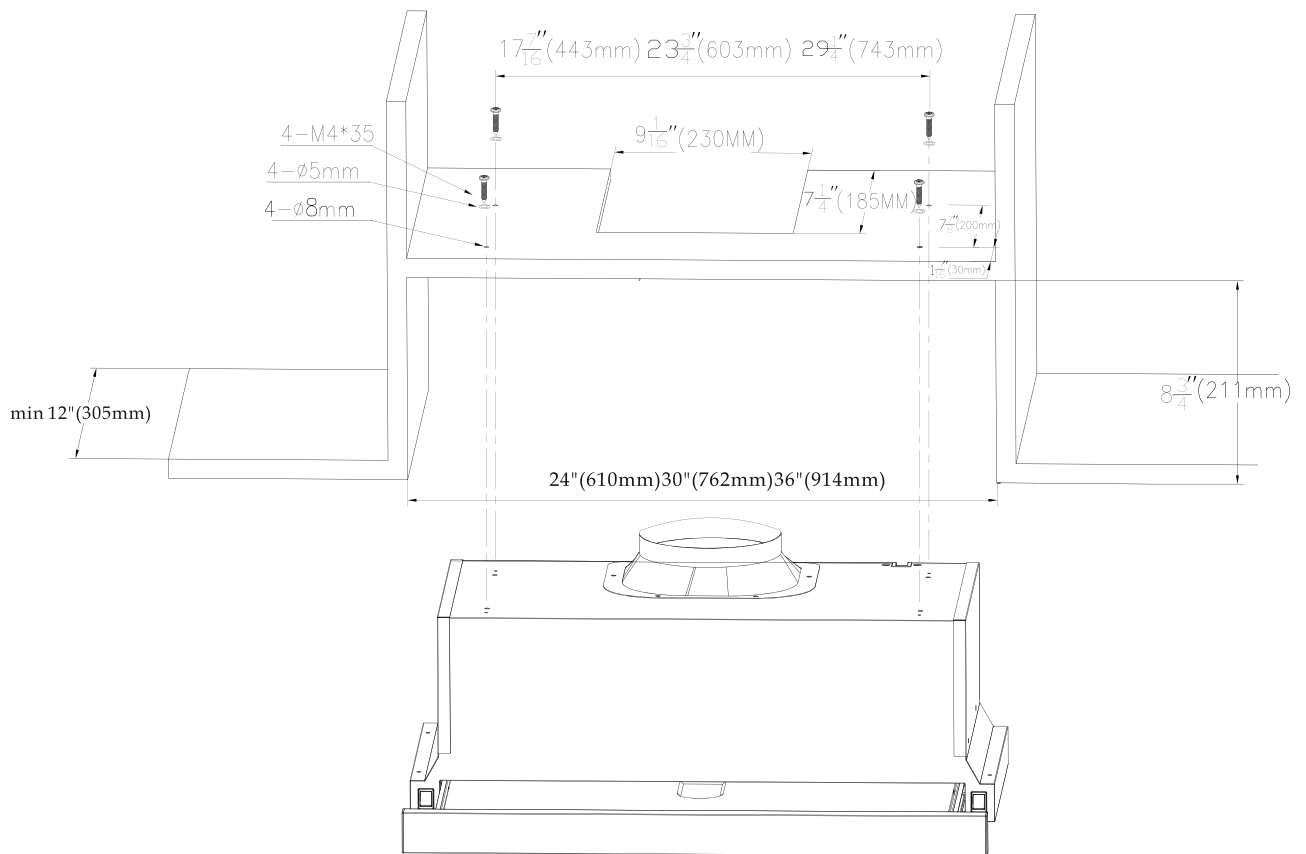
## Cabinet Preparation for Hood Support

The range hood should be mounted at a minimum distance of 24" from an electric or induction cooktop, and a minimum distance of 30" above a gas cooktop for safety and optimum performance



To install the hood with a duct, you will need to provide a hole for the duct. Please use the template provided to correctly place the hole.

Use the diagram below for correct placement of ductwork and electrical cutout in cabinets.



**WARNING:** TO REDUCE THE RISK OF FIRE, USE ONLY METAL DUCTWORK AND DUCT CONNECTION DEVICES.

### **Warning!**

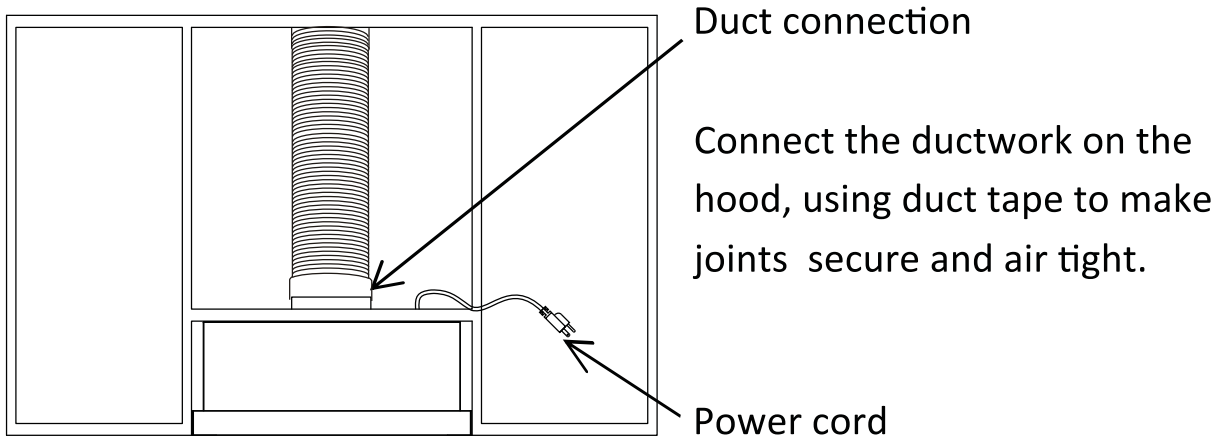
When cutting or drilling into walls or cabinets be careful not to cut existing electrical wiring.

1. Recessed cabinet bottom: Install wood strips on each side of the recessed area on the bottom of the cabinet where the rangehood will be mounted. Align the wood strips with the 4 keyhole slots on the top of the rangehood. Fasten the wood strips with wood screws about 3" in from each end.

Note: the wood strips thickness should be slightly more than the recessed dimension. Cut the length to size.

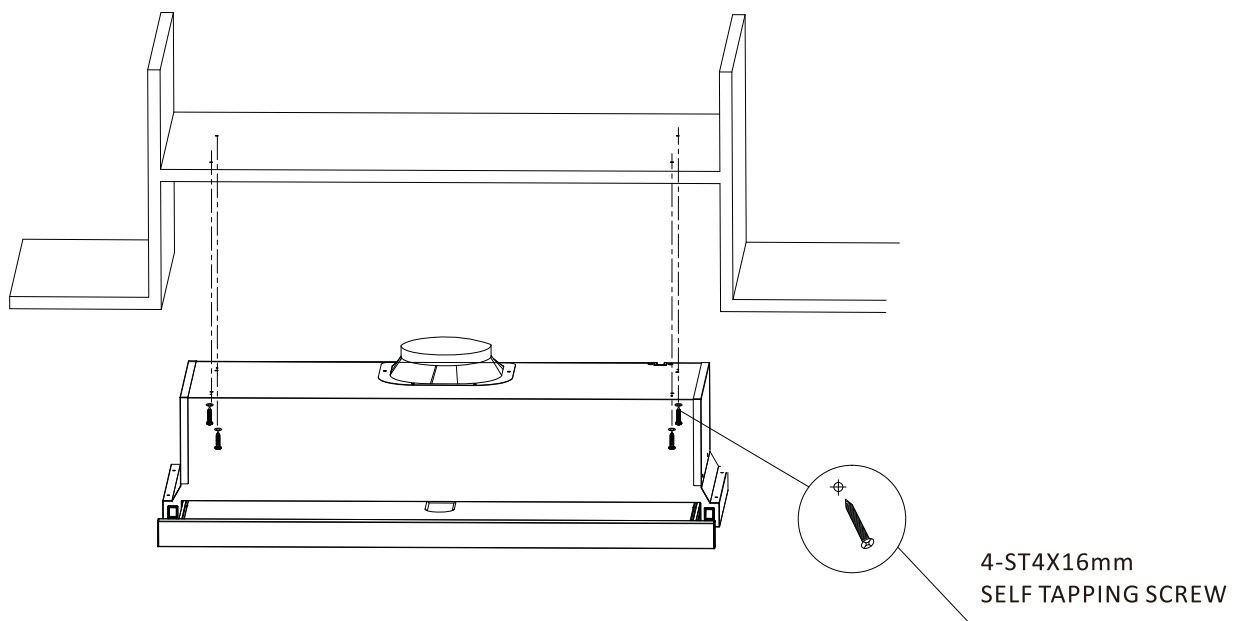
2. Measure and mark the electrical wiring opening on the wall or cabinet. For vented hoods mark and measure the duct opening on the wall or cabinet.

## Hood Installation

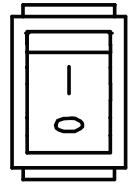


Your new range hood will operate at the highest efficiency if the number of elbows and the length of the duct are kept to a max of 15ft. (Note 1 x elbow=4ft)

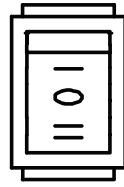
## Quick Installation Method



# Controls



lamp switch



motor switch

- When you pull out the slide the hood will turn on.
- The light switch is located on the left side of the hood.
- The fan switch is located on the right side of the hood.
- The fan has 2 settings: Low speed and High speed.

## Specifications

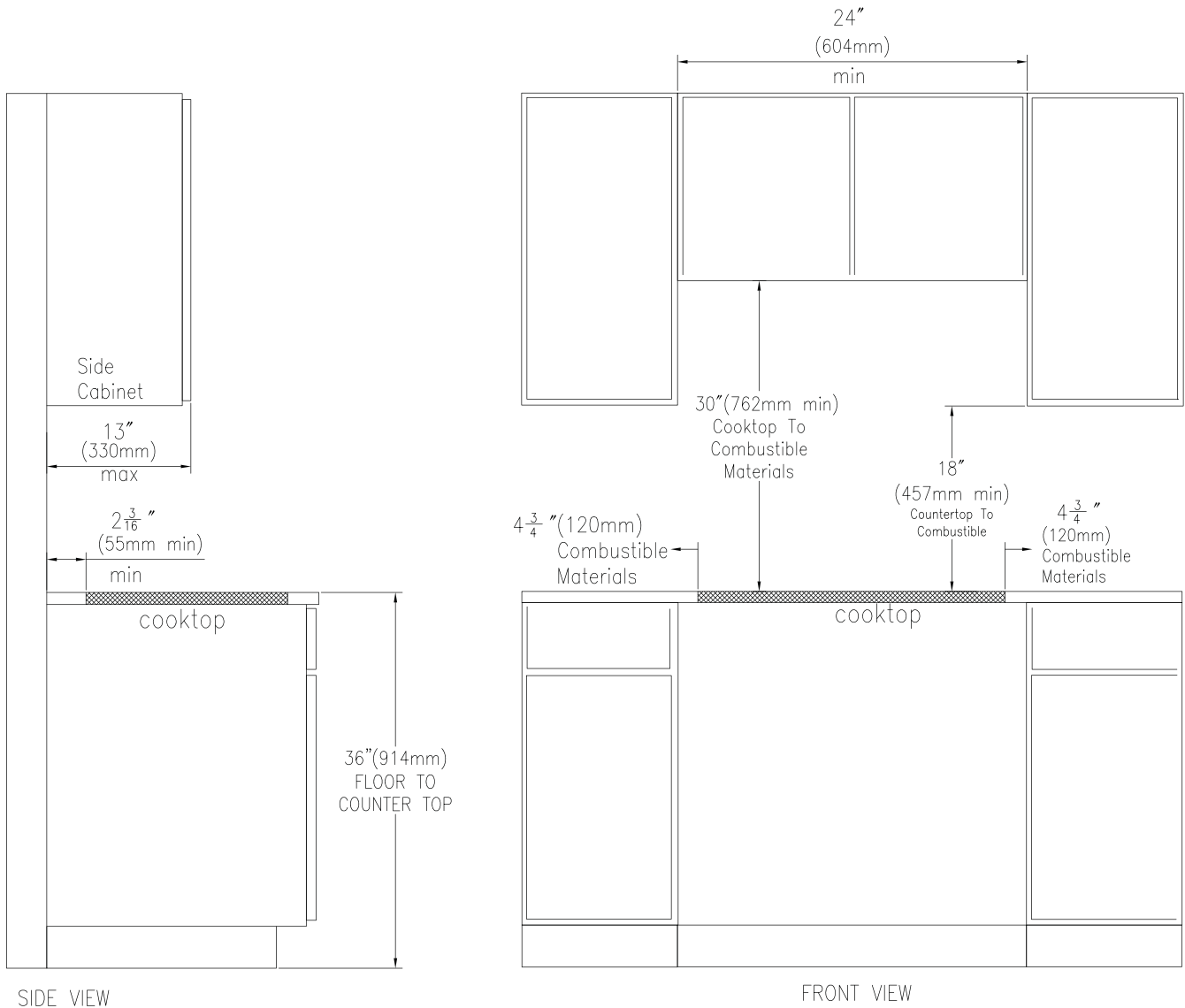
### Glide-24-2, Glide-30-2, Glide-36-2

Power Supply	110-120V~,60Hz
Rated Input Power	132W
Lighting Power	2x1W
Motor Power	130W

# Specifications

## Glide-24-2

### RECOMMENDED CABINET MINIMUM CLEARANCE (GAS COOKING SURFACE)



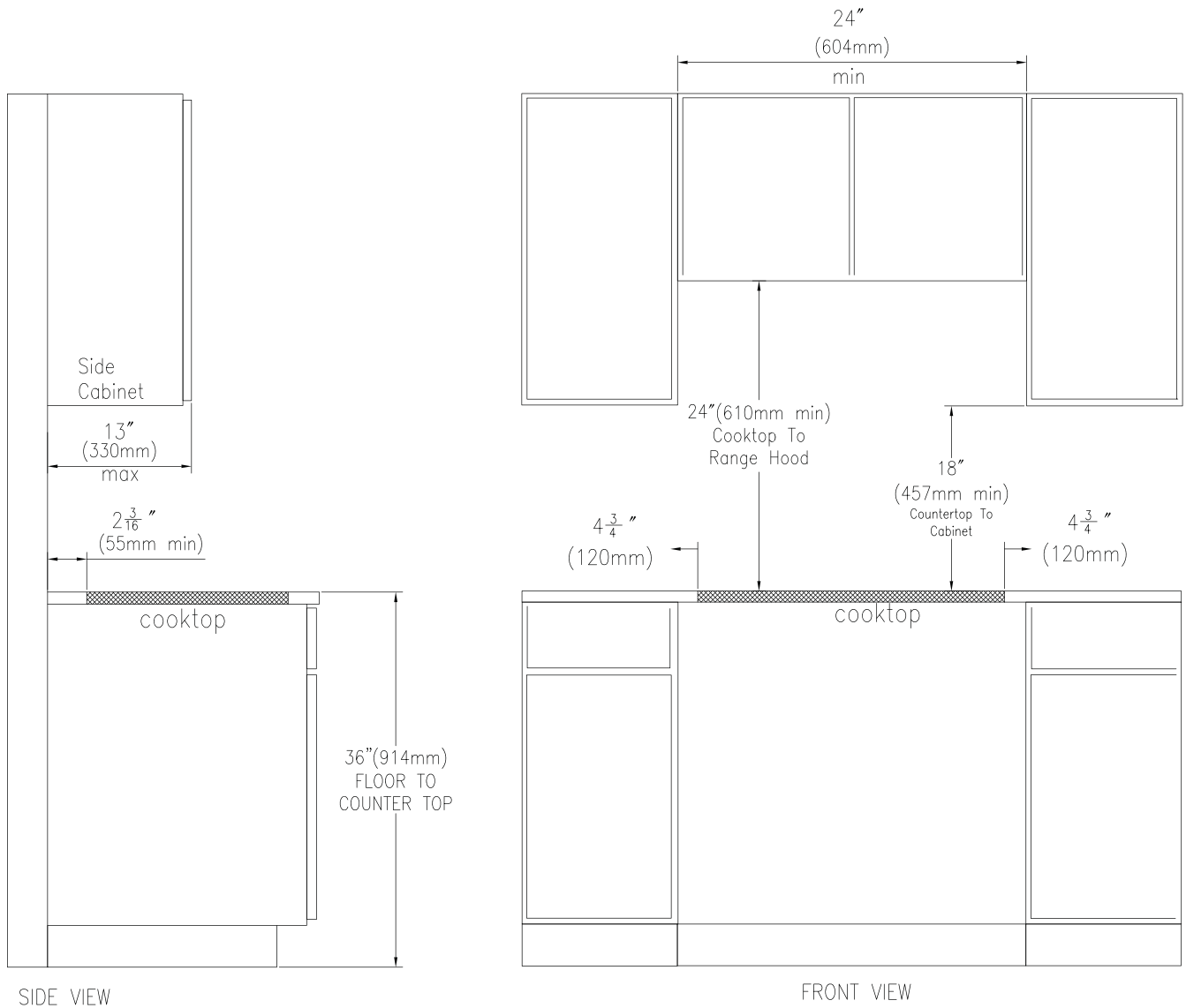
**\* Follow local building codes for clearance requirements.\***



# Specifications

## Glide-24-2

### RECOMMENDED CABINET MINIMUM CLEARANCE (ELECTRIC/INDUCTION COOKING SURFACE)

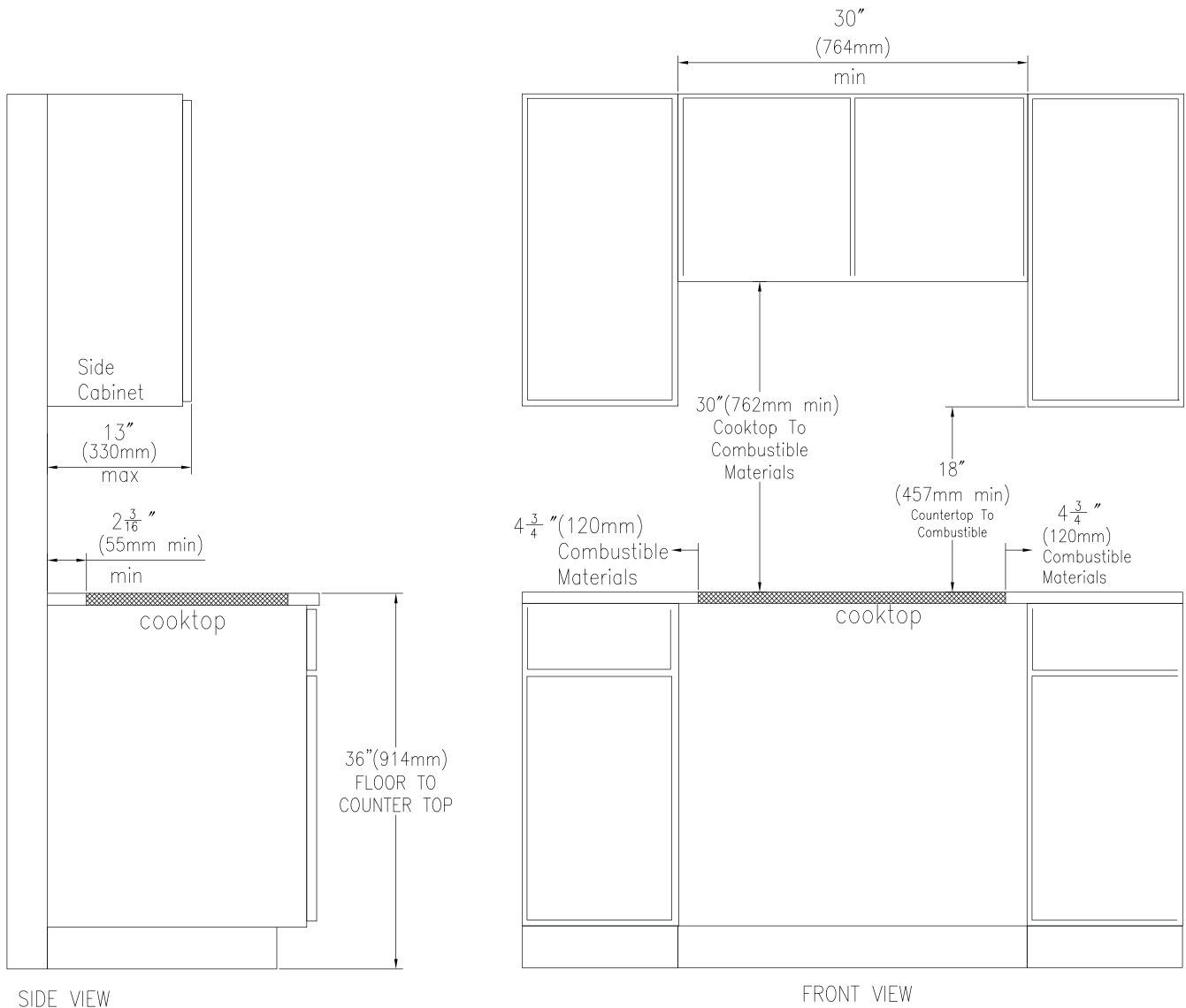


**\* Follow local building codes for clearance requirements.\***

# Specifications

## Glide-30-2

### RECOMMENDED CABINET MINIMUM CLEARANCE (GAS COOKING SURFACE)

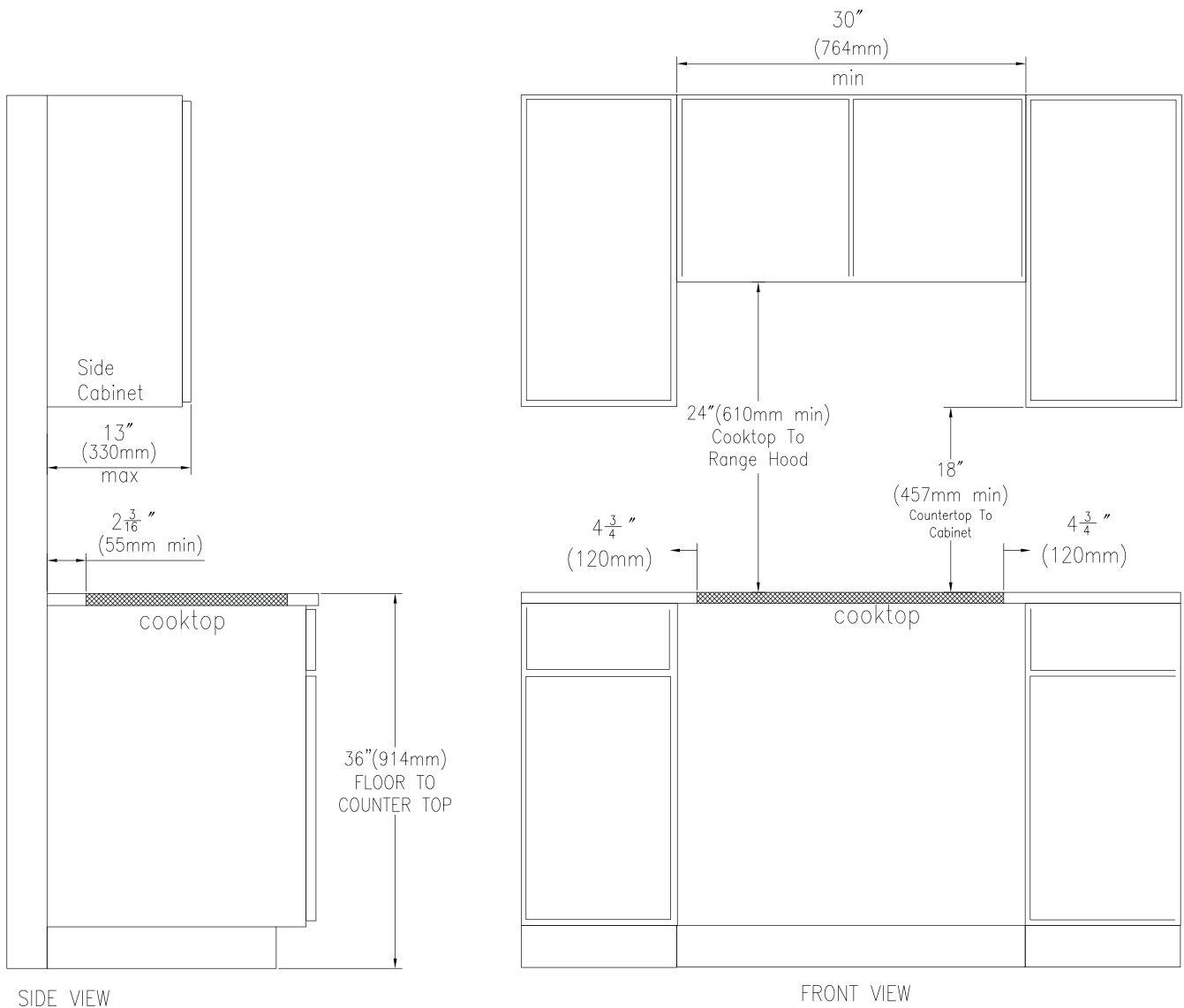


**\* Follow local building codes for clearance requirements.\***

# Specifications

## Glide-30-2

### RECOMMENDED CABINET MINIMUM CLEARANCE (ELECTRIC/INDUCTION COOKING SURFACE)

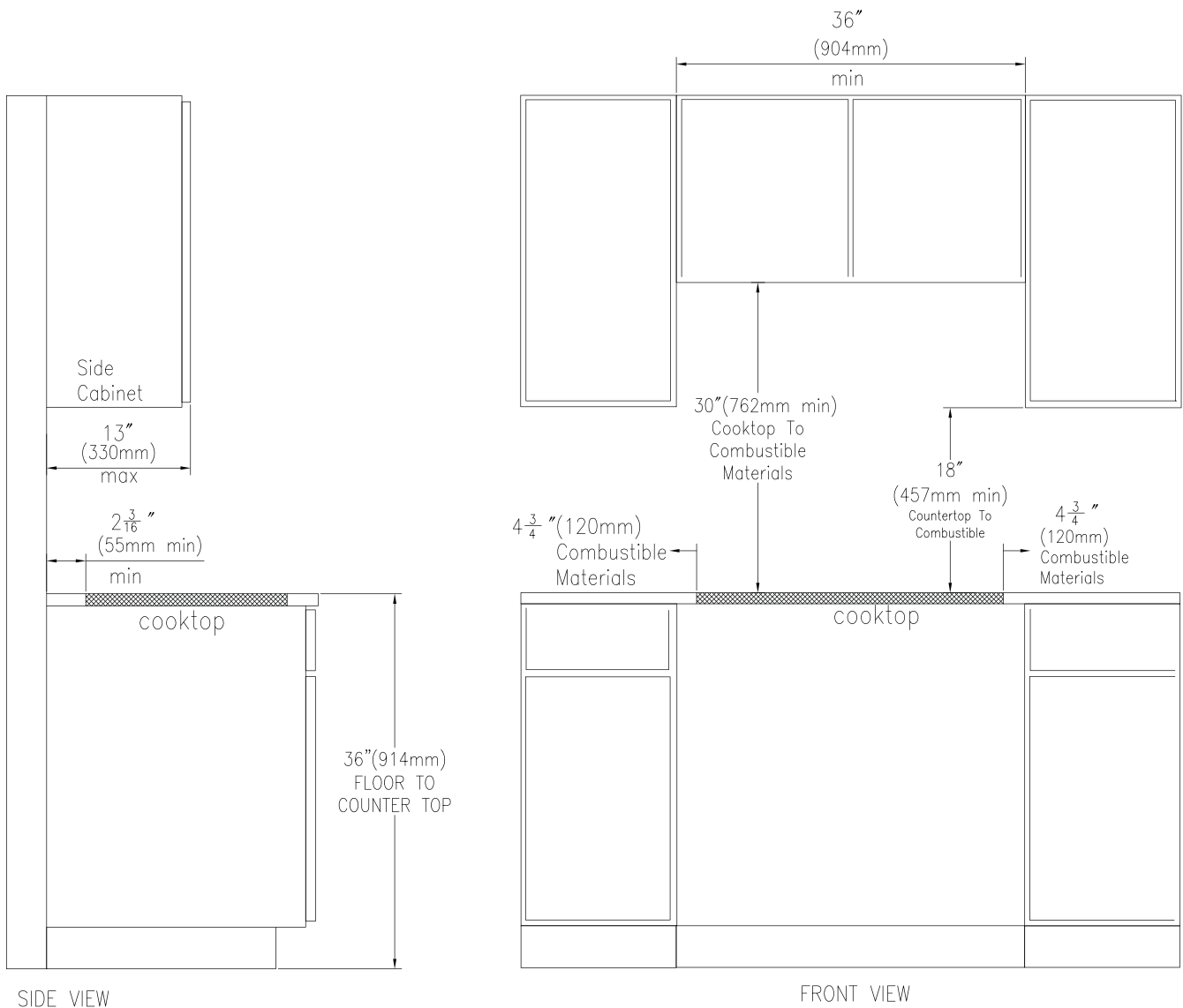


**\*Follow local building codes for clearance requirements.\***

# Specifications

## Glide-36-2

### RECOMMENDED CABINET MINIMUM CLEARANCE (GAS COOKING SURFACE)

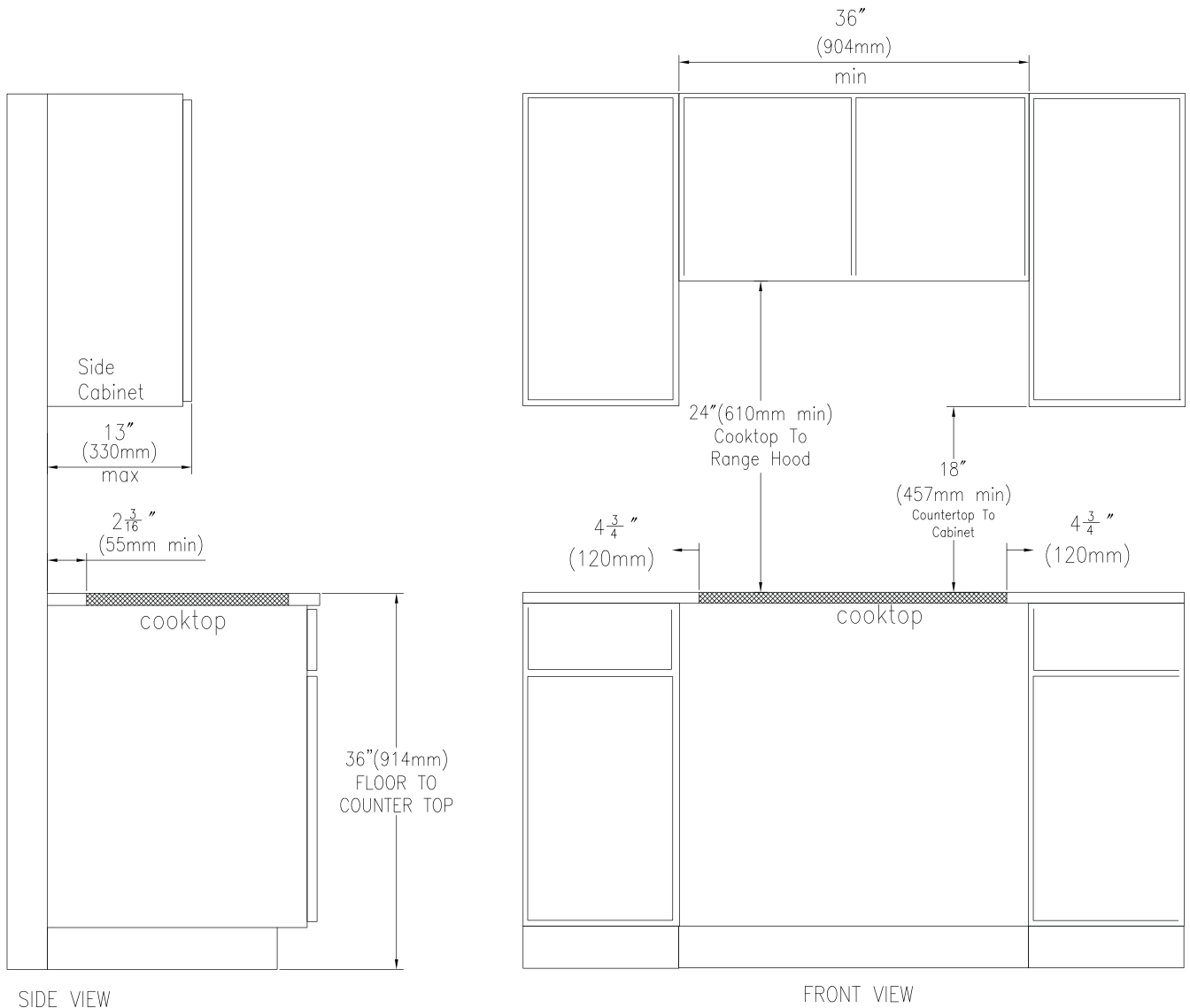


**\* Follow local building codes for clearance requirements.\***

# Specifications

## Glide-36-2

### RECOMMENDED CABINET MINIMUM CLEARANCE (ELECTRIC/INDUCTION COOKING SURFACE)



**\* Follow local building codes for clearance requirements.\***

## Use and Care

### **Filter**

For highest efficiency, the metal filter should be removed and cleaned once a month.

Soak the filter in hot water with a mild soap or detergent. Rinse thoroughly and repeat if necessary. The filter is also dishwasher safe. Heavy grease buildup may not be cleaned easily, therefore the filter may need to be replaced.

### **Light Bulb**

This model requires 2 x 1W LED light bulbs, available from Euro-parts 1-800-561-4614

### **Exterior surface**

Do NOT use abrasive materials such as steel wool pads or scouring pads.

Wipe the rangehood exterior with a soft cloth and a mild detergent suitable for painted surfaces.

### **Repairs or Replacement Parts**

Warning! Disconnect the range hood from the electrical power supply before servicing.

All parts may be obtained from Euro-Parts 1-800-561-4614

When ordering parts, please specify the range hood model number located on the rating label, which can be found on the inside of the range hood.

## Trouble Shooting

When any problems occur, unplug the hood from the electrical outlet and contact Euro-Parts or an authorized servicer in order to avoid an accident.

### **Fan does not turn on (but light turns on).**

This is probably due to either a defective fan switch or a burned-out fan motor. Both can be replaced without removing the range hood from the wall or cabinet. Use an OHM meter to determine which component is not working. If the OHM meter reads that the fan switch has 0 x OHM of resistance, then it is the motor that needs to be replaced. If it reads anything other than zero, then the switch must be replaced.

Please contact Euro-Parts or an authorized servicer to fix this problem.

**Light does not turn on (but fan turns on).**

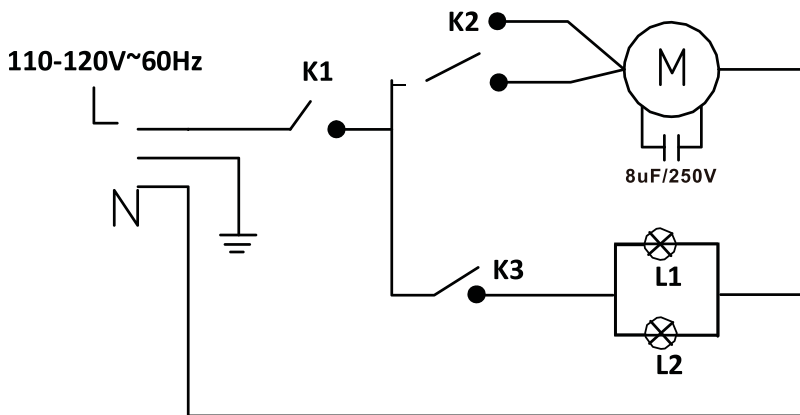
This could be because the bulb has burned out. Try replacing the light bulb. If the light still does not work, either the light switch or the lamp-holder socket could be defective. Both can be replaced without having to remove the range from the wall or cabinet.

**Rangehood does not turn on.**

Check for a tripped circuit breaker or a blown fuse.

**Note:** All work must be done by a qualified licensed technician.

**Rating label**



**Protection Thermique**

L1 L2-Lamp M-Motor  
K2-Motor Switch

**Thermally Protected**

K1-Mains Power Switch  
K3-Lamp Switch

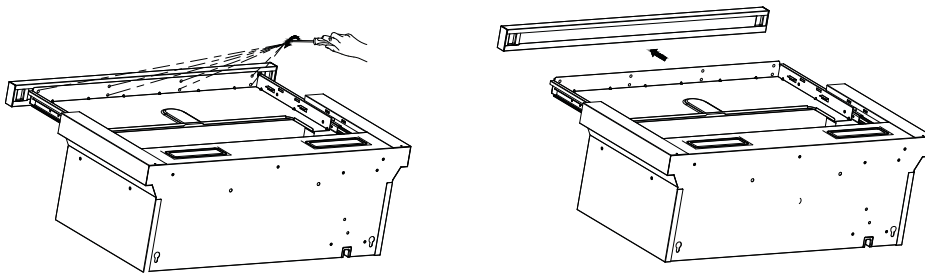


# Front Handle Replacement

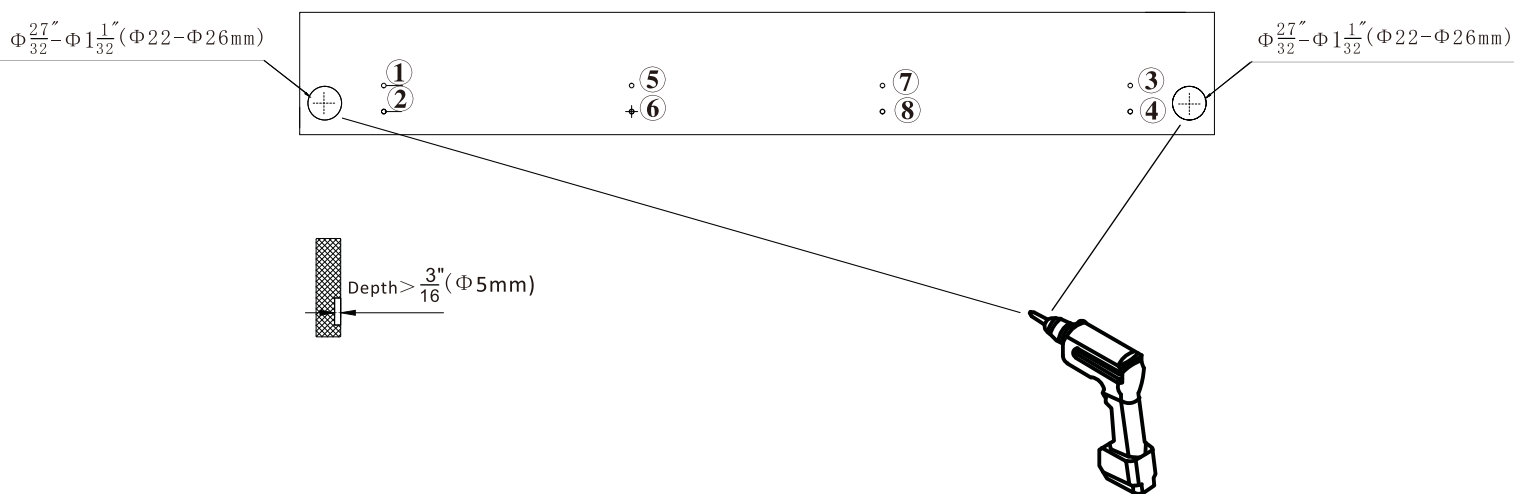
The front stainless steel (SS) handle can be removed and replaced with your own handle as follows.

1. Unscrew the 8 screws holding the SS handle in place as picture 1.
2. Bore 2 holes in each underside of the handle as shown. This will stop your handle hitting the switches.
3. Place your handle onto the frame and screw into place. Ensure the order of tightening the screws is as per picture 2.

Picture 1



Picture 2

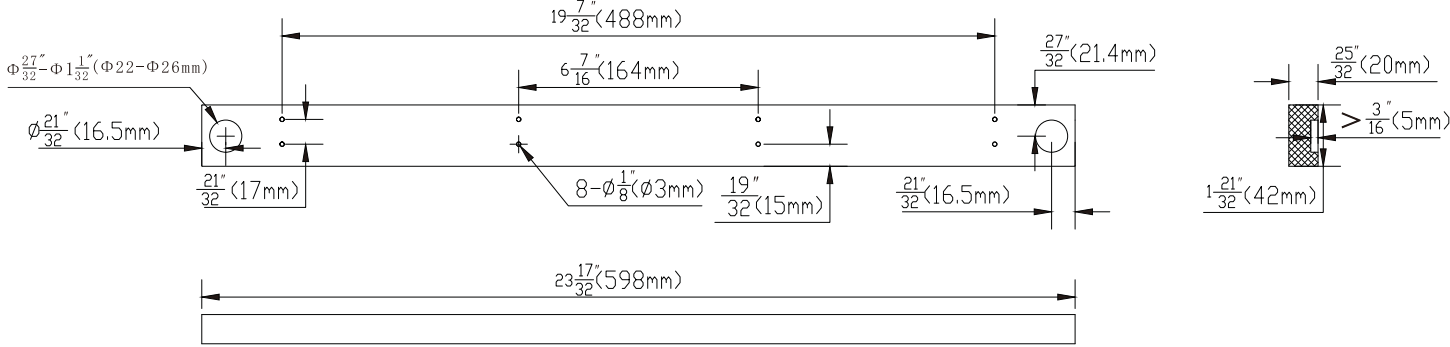


## CAUTION!

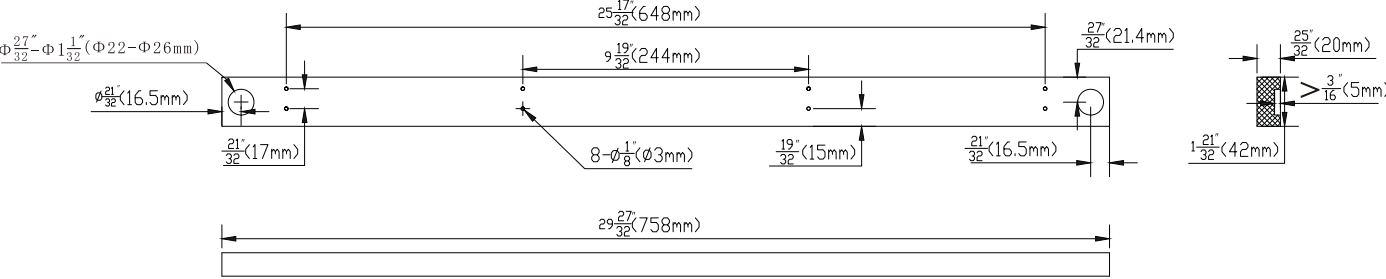
Do not pick up the unit from the side handles to reduce twisting and misalignment.

# Handle Specification

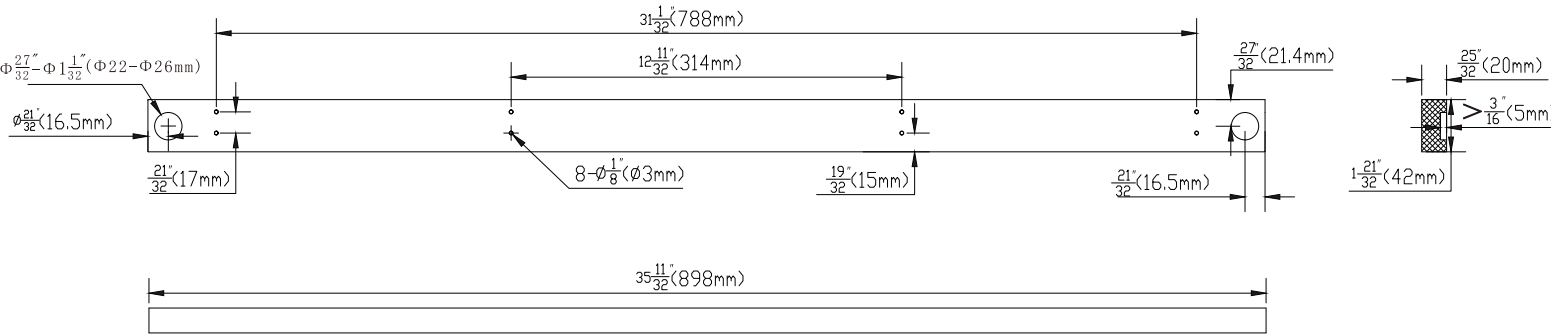
## Glide-24-2



## Glide-30-2



## Glide-36-2

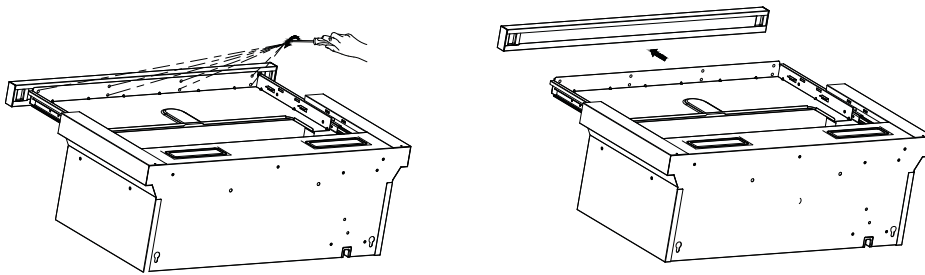


# Front Handle Replacement

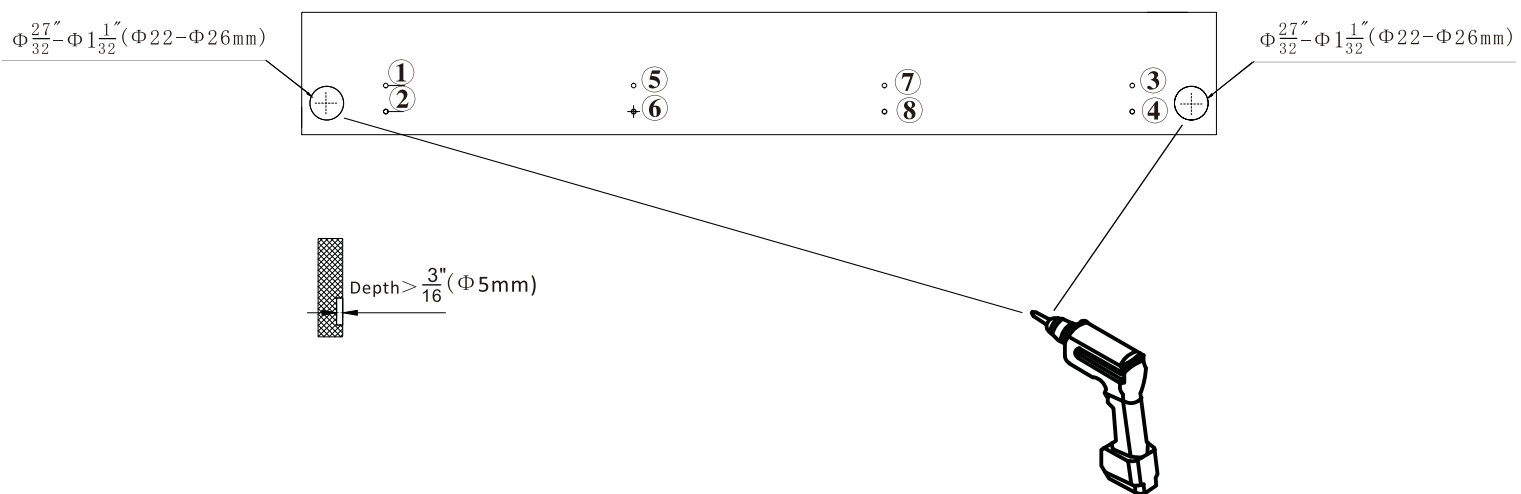
The front stainless steel (SS) handle can be removed and replaced with your own handle as follows.

1. Unscrew the 8 screws holding the SS handle in place as picture 1.
2. Bore 2 holes in each underside of the handle as shown. This will stop your handle hitting the switches.
3. Place your handle onto the frame and screw into place. Ensure the order of tightening the screws is as per picture 2.

Picture 1



Picture 2



## CAUTION!

Do not pick up the unit from the side handles to reduce twisting and misalignment.

## Warranty

Porter & Charles appliances are imported and distributed in North America by Euro-Line Appliances Inc.

For more information visit [ela.ca](http://ela.ca) or contact

### **EURO-LINE APPLIANCES INC.**

871 Cranberry Court  
Oakville, Ontario. L6L6J7  
Canada  
PH 905 829 3980  
Toll Free 1 800 421 6332,  
Toll Free 1 800 ELA WEST  
[info@ela.ca](mailto:info@ela.ca)

All Porter & Charles appliances are backed by a comprehensive 2-year parts and labour warranty. Information on service and parts available from

Euro-Parts.ca

Tel: 1 866 722 2262

For more information visit [www.euro-parts.ca](http://www.euro-parts.ca)  
or Contact:[service@euro-parts.ca](mailto:service@euro-parts.ca)

