

# DWVFI

## 24" Fully Integrated Top Control, Tall Tub Dishwasher



### Signature Features

#### Quiet Operation

Its Stainless-Steel Tub absorbs sound when working at a very low noise level of just 47 decibels..

#### Water Softener

Provides the right water hardness for optimally spot-free and shiny dishes.

#### Third Level Cutlery Rack

Easily load cutlery and optimize space.

### General Properties

- Built-In
- Panel Ready
- Stainless Steel Interior

### Features

- Top Hidden Controls
- 14 Place Settings
- Third Level Cutlery Rack
- Delay Timer (Up to 19 Hours)
- 8 Wash Cycles
- Quiet Operation: 47 dBa
- 3-in-1 Compatible Washing Tabs
- 2 Spray Arms
- Water Softener
- Half-Load Cycles
- Detergent and Rinse Aid Dispenser
- Water Heating Element
- End of Program Indicator

### Programs

- Regular
- Auto
- Intensive
- Intensive Plus
- Daily
- Delicate
- Super
- Rinse

### Options

- Half Load
- Extra Dry
- Sanitize
- Hi-Temp

### Specifications

#### Product Dimensions (W/H/D)

- 23<sup>9</sup>/<sub>16</sub>" / 33<sup>7</sup>/<sub>8</sub>" / 22<sup>7</sup>/<sub>16</sub>"
- 598mm / 860mm / 570mm

#### Cut Out Dimensions (W/H/D)

- 23<sup>5</sup>/<sub>8</sub>" / 35<sup>7</sup>/<sub>8</sub>" / 22<sup>7</sup>/<sub>16</sub>"
- 600mm / 910mm / 570mm

#### Electrical Requirements

- 120 V / 60 Hz / 15 Amp
- Supplied with a Canadian cord and plug.

#### Total Power

- 1400 W

#### Heater Power

- 1100 W

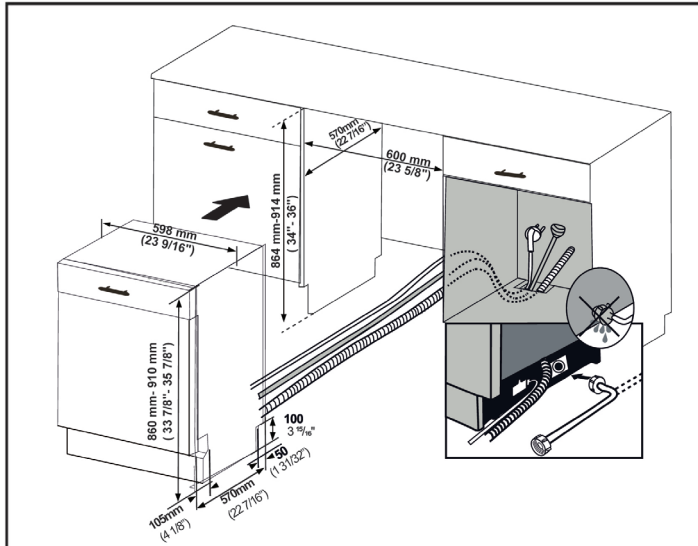
#### Water Pressure

- 43.5-145 psi (0.3-10 bars)

#### Rating

- Energy Consumption: 270 kWh/yr.
- ENERGY STAR® rated

### Install Details



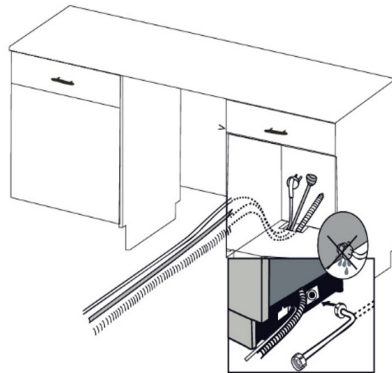
#### Product Dimensions (W/H/D)

- 23<sup>9</sup>/<sub>16</sub>" / 33<sup>7</sup>/<sub>8</sub>" / 22<sup>7</sup>/<sub>16</sub>"
- 598mm / 860mm / 570mm

#### Cut Out Dimensions (W/H/D)

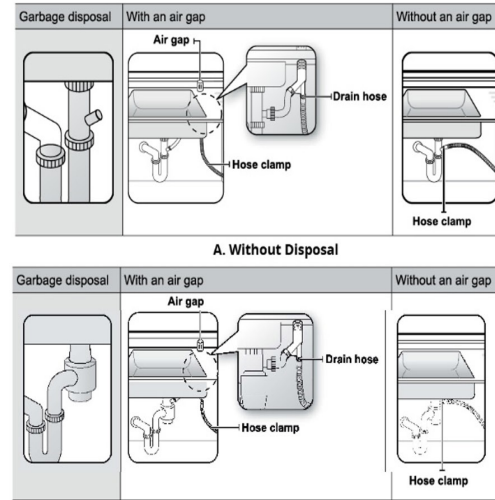
- 23<sup>5</sup>/<sub>8</sub>" / 35<sup>7</sup>/<sub>8</sub>" / 22<sup>7</sup>/<sub>16</sub>"
- 600mm / 910mm / 570mm

Make sure all hoses are pulled through the side opening of the cabinet. No hoses are kinked and all slack is taken out.



#### Drain Hose Connection, Water Supply and Electrical Connections

1. Drain Hose - There are several ways to insert the drain hose into the connector of the sink, as shown in the following figures. Ensure you connect the drain hose in accordance with the water pipe regulations in your region.



A. Without Disposal

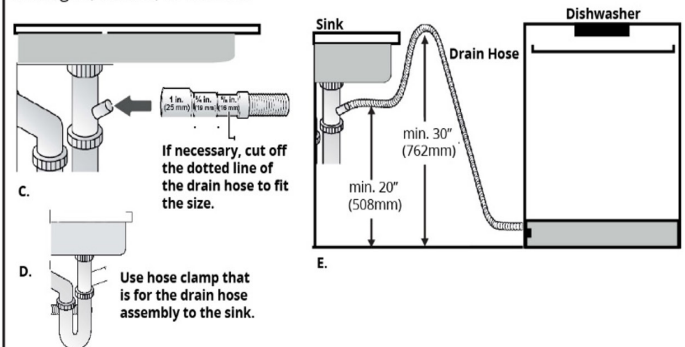
B. With Disposal

2. Check the size of the sink's drain hose connector. If needed, cut the drain hose so its end fits onto the sink connector (5/8", 3/4", or 1" as shown in (C) below). If the end of the drain hose does not fit onto the drain hose connector of the sink, use an adaptor purchasable at a plumbing/hardware supply store.

3. Slide hose clamp over the end of the drain hose. Attach drain hose to the sink connector and tighten the clamp. You must use a hose clamp. Failure to do so may cause water leakage.

4. If there is no air gap, make sure to hand the middle of the drain hose well above the sink cabinet base to prevent back flow (see Figure E below).

5. When drilling a hole for the drain hose on the cabinet wall, take caution not to damage the drain hose by sharp edges of the hole. Use sanding to soften wooden edges, use insulation tape or duct tape for metal walls to cover the sharp edges around the hole. To prevent leaks or drainage, make sure the drain hose is not damaged, kinked, or twisted.



Other Product Downloads Available at [porterandcharles.ca](http://porterandcharles.ca)

- [Download User Manual](#)
- [Installation Manual](#)



#### WARRANTY INFORMATION

Porter & Charles Appliances are designed and manufactured to the highest standards. Each appliance is covered by a comprehensive 2-year parts and labour warranty. Refer to product warranty policy for complete terms and conditions.

#### FOR PARTS & SERVICE

Euro-Parts & Service  
39822 Belgrave Road, Belgrave, ON. N0G 1E0 1 866 722 2262  
[www.euro-parts.ca](http://www.euro-parts.ca) • [parts@euro-parts.ca](mailto:parts@euro-parts.ca) • [service@euro-parts.ca](mailto:service@euro-parts.ca)

Porter & Charles appliances are imported and distributed in North America by Euro-Line Appliances Inc. For more information, please visit one of our showrooms or [www.ela.ca](http://www.ela.ca) / [www.elawest.ca](http://www.elawest.ca)

#### EURO-LINE APPLIANCES INC.

871 Cranberry Court, Oakville, ON  
L6L 6J7 Canada  
905 829 3980  
1 800 421 6332  
[info@ela.ca](mailto:info@ela.ca)

#### EURO-LINE APPLIANCES INC.

101-1014 Homer Street, Vancouver, BC  
V6B 2W9, Canada  
604 235 3980  
1 855 ELA WEST (352 9378)  
[info@elawest.ca](mailto:info@elawest.ca)