

# DWTPC10FI

24" Fully Integrated Top Control, Tall Tub Dishwasher



## Signature Features

### Top Control Panel

User-friendly control panel while offering a sleek concealed look.

### Quiet Operation

With impressively low decibel levels enjoy a peaceful quiet kitchen without distraction.

### Tall Tub

Your P&C Tall Tub dishwasher puts an end to the hassle of washing big pots and serving plates by hand. Your Tall Tub Dishwasher has a taller cavity than a standard tub, giving you more space and flexibility.

## General Properties

- Built-In
- Panel Ready
- Top Hidden Controls
- Stainless Steel Interior

## Features

- Top Hidden Controls
- 10 Programs
- 12 Place Setting Capacity
- Delay Timer (up to 9 hours)
- Cutlery Basket
- Stainless Steel Interior
- Eco Sensor
- In-Line Water Heating Element
- Quiet Operation – 47 dBa
- ENERGY STAR® rated

## Programs

- Dish Warming
- Crystal Wash
- Normal Wash
- Intensive Normal Sanitized
- Extreme Wash Sanitized
- Soak Wash
- Short Wash
- Daily Wash
- Heavy Wash
- Economy

## Options

- Half Load

## Specifications

### Product Dimensions (W/H/D)

- 23<sup>9/16"</sup> / 33<sup>7/16"</sup>-36<sup>1/4"</sup> / 24"
- 598mm / 850-920mm / 610mm

### Cut Out Dimensions (W/H/D)

- 23<sup>5/8"</sup> / 33<sup>7/16"</sup>-36<sup>1/4"</sup> / 24"
- 600mm / 850-920mm / 610mm

### Electrical Requirements

- 115 V / 60 Hz / 15 Amp / 1300 W
- Supplied with a Canadian cord and plug.

### Water Pressure

- min. 7 – max. 130 psi (0.5-9 bars)

### Water Supply

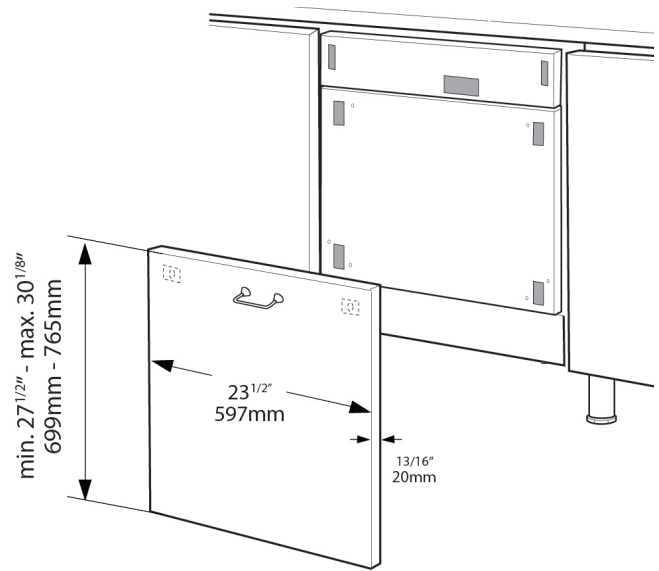
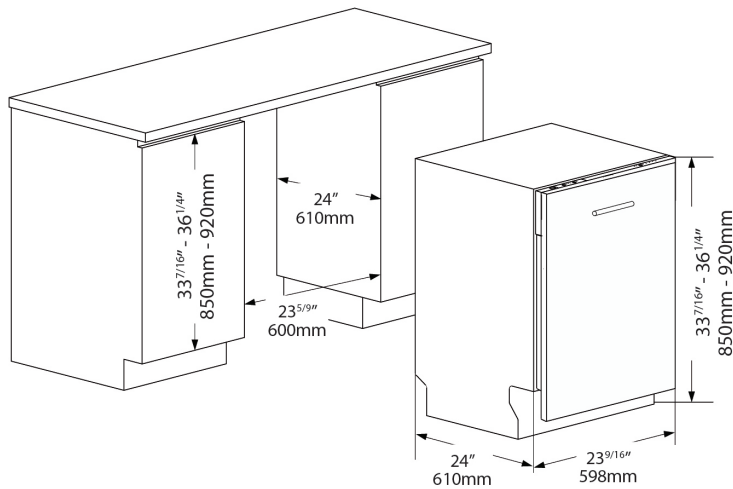
- Porter & Charles dishwashers can be hooked up to hot or cold water.
- Porter & Charles dishwashers are supplied with an inlet that attaches on to a faucet.

# DWTPC10FI

## Specifications



## Install Details



### Product Dimensions (W/H/D)

- 23<sup>9/16</sup>" (598mm) / 33<sup>7/16</sup>"-36<sup>1/4</sup>" (850-920mm) / 24" (610mm)

### Cut Out Dimensions (W/H/D)

- 23<sup>5/8</sup>" (600mm) / 33<sup>7/16</sup>"-36<sup>1/4</sup>" (850-920mm) / 24" (610mm)

### Applied Panel Width

- 23<sup>1/2</sup>" (597mm)

### Panel Thickness

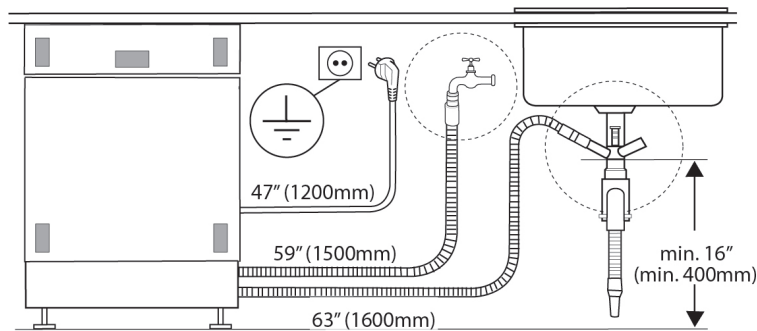
- 13/16" (20mm)

### Panel Height

- min. 27<sup>1/2</sup>" (699mm)
- max. 30<sup>1/8</sup>" (765mm)

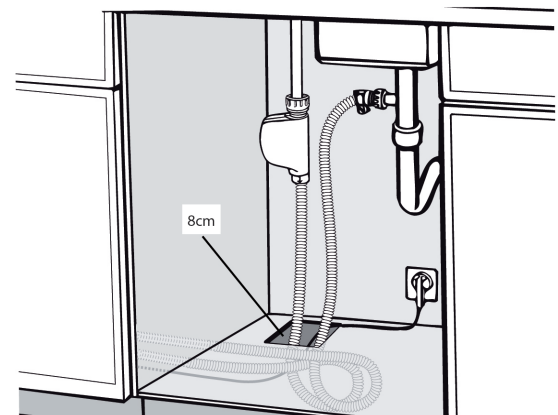
### Panel Weight

- MUST NOT EXCEED 8KG



### Distances Between Dishwasher & Connections

- Install the dishwasher so as to allow ease of access to the electrical and hydraulic connections through the adjacent unit. These connections must never be behind the dishwasher. The inlet and drain hoses can be pointed in all directions, Make sure that they are not bent, crushed, or too tight.
- Tighten the ring nut after pointing the hoses in the required direction.



### Example of Hardware Installation

- A through hole with a diameter of at least 8 cm is required to pass the hoses and power cord.
- Make sure there are no rough edges that could damage the power cord or hoses. If the dishwasher is installed in a metal unit protect the edge of the through hole for the hoses and power cord with a gasket. Do not use extension cords when making the electrical connection as these do not guarantee safety.

Other Product Downloads Available at [porterandcharles.ca](http://porterandcharles.ca)

- [Download User Manual](#)



#### WARRANTY INFORMATION

Porter & Charles Appliances are designed and manufactured to the highest standards. Each appliance is covered by a comprehensive 2-year parts and labour warranty. Refer to product warranty policy for complete terms and conditions.

#### FOR PARTS & SERVICE

Euro-Parts & Service  
39822 Belgrave Road, Belgrave, ON. N0G 1E0 1 866 722 2262  
[www.euro-parts.ca](http://www.euro-parts.ca) • [parts@euro-parts.ca](mailto:parts@euro-parts.ca) • [service@euro-parts.ca](mailto:service@euro-parts.ca)

Porter & Charles appliances are imported and distributed in North America by Euro-Line Appliances Inc. For more information, please visit one of our showrooms or [www.ela.ca](http://www.ela.ca) / [www.elawest.ca](http://www.elawest.ca)

#### *EURO-LINE APPLIANCES INC.*

871 Cranberry Court, Oakville, ON  
L6L 6J7 Canada  
905 829 3980  
1 800 421 6332  
[info@ela.ca](mailto:info@ela.ca)

#### *EURO-LINE APPLIANCES INC.*

101-1014 Homer Street, Vancouver, BC  
V6B 2W9, Canada  
604 235 3980  
1 855 ELA WEST (352 9378)  
[info@elawest.ca](mailto:info@elawest.ca)