

STPS60TM-1

24" Built-In Compact Steam Oven, 45cm High



Signature Features

Steam Cooking

Steam cooking maintains your vegetables nutrients, flavors, colors and cooks meals that are crispy and tender.

Save Time with Convection

A third element with a fan saves you time by cooking fast and more evenly. Perfect for baking and roasting.

Touch Control with Control Dial

Intuitively control your oven's functions and enjoy a more instinctive way to cook.

General Properties

- Black Glass with Stainless Steel Trim
- 38L - 1.3 cu. ft. Capacity
- Steam Cooking Function
- 3 Rack Positions
- Water Tank
- Stainless Steel Inner Cavity



Features

- Steam Cooking Function
- Broiler Element
- Digital Display with Function and Temperature Control Dial
- Delayed Start Time
- Start / Pause Function
- Fully Automatic Digital Clock and Timer
- Cooking Duration and End Time Cooking Control
- Steam Assists Cleaning
- Double Glazed Removable Door
- Bright Interior Lighting
- Drop-Down Grill for Easy Clean
- Child Safety Lock

Oven Functions

- Steam Cooking
- Broiler Element
- Convection Cooking
- Steam + Convection
- Broiler + Fan
- Water Hardness / Descaling

Oven Performance

Steam Power

- 1500 W

Broiler Power

- 1200 W

Convection Power

- 1600 W

Technical Specifications

Front Dimensions (W/H/D)

- 23^{7/16"} / 17^{15/16"} / 20^{1/2"}

- 595mm / 455mm / 520mm

Cabinet Dimensions (W/H/D)

- 22^{1/16"} / 17^{3/4"} / 21^{5/8"}

- 560mm / 450mm / 550mm

Electrical Requirements

- 208-240 V / 60 Hz / 20 Amp
- Supplied with a 5' long electrical cable and must be hardwired.

Weight

- 78 lbs. / 35 kg

Accessories

- 1 x Water Drawer
- 1 x Baking Tray/Perforated Tray
- 1 x Wire Rack
- Optional 2-Piece Trim Kit - TK455 - 2 piece stainless steel trim kit designed to accommodate 24" built-in appliances into a 30" cabinet opening to create a seamless cooking tower.

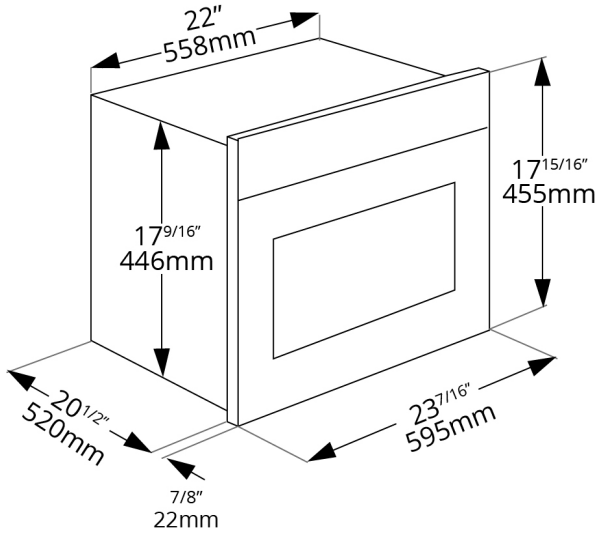
STPS60TM-1

Specifications



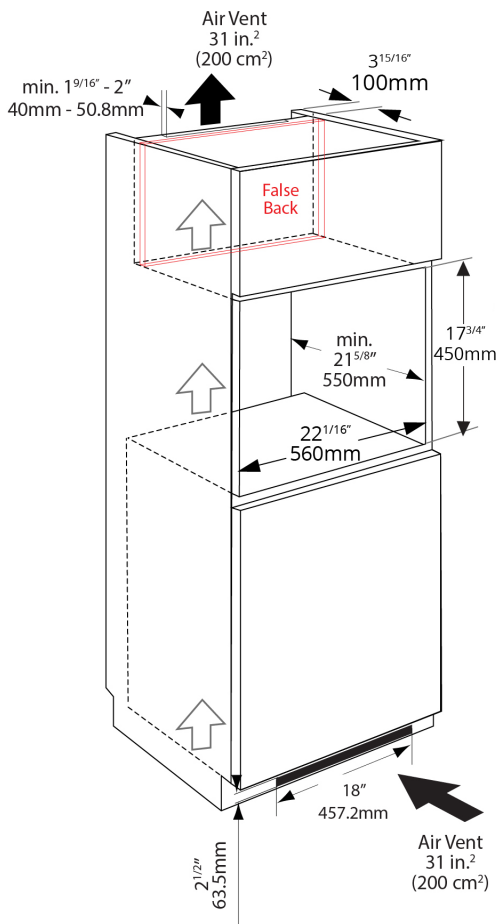
Front Dimensions (W/H/D)

- 23^{7/16}" (595mm) / 17^{15/16}" (455mm) / 20^{1/2}" (520mm)



Cabinet Dimensions (W/H/D)

- 22^{11/16}" (560mm) / 17^{3/4}" (450mm) / 21^{5/8}" (550mm)

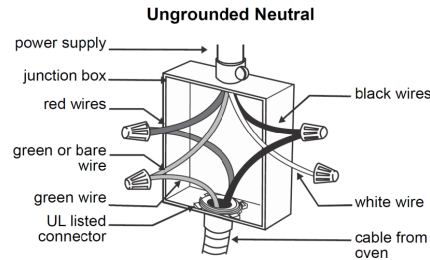


Electrical Requirements

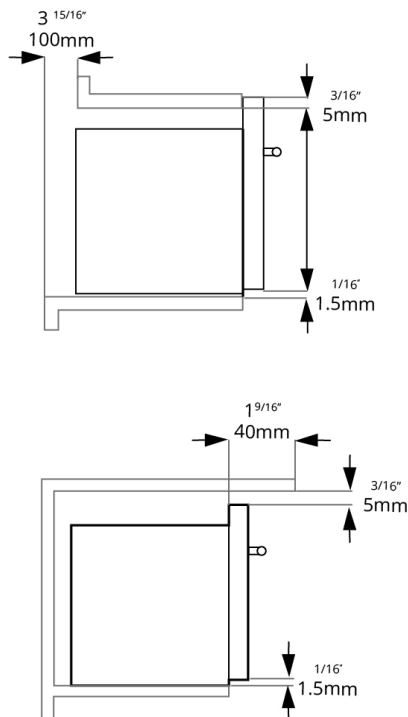
- 240 V / 60 Hz / 20 Amp / 3200 W

4-Wire Branch Circuit

- Disconnect ground from neutral at free end of conduit.
- Connect the green ground wire from the oven to the ground wire in the junction box (bare or green colored wire).
- Connect the red and black leads from the oven to the corresponding leads in the junction box.



Side View



FALSE BACKS

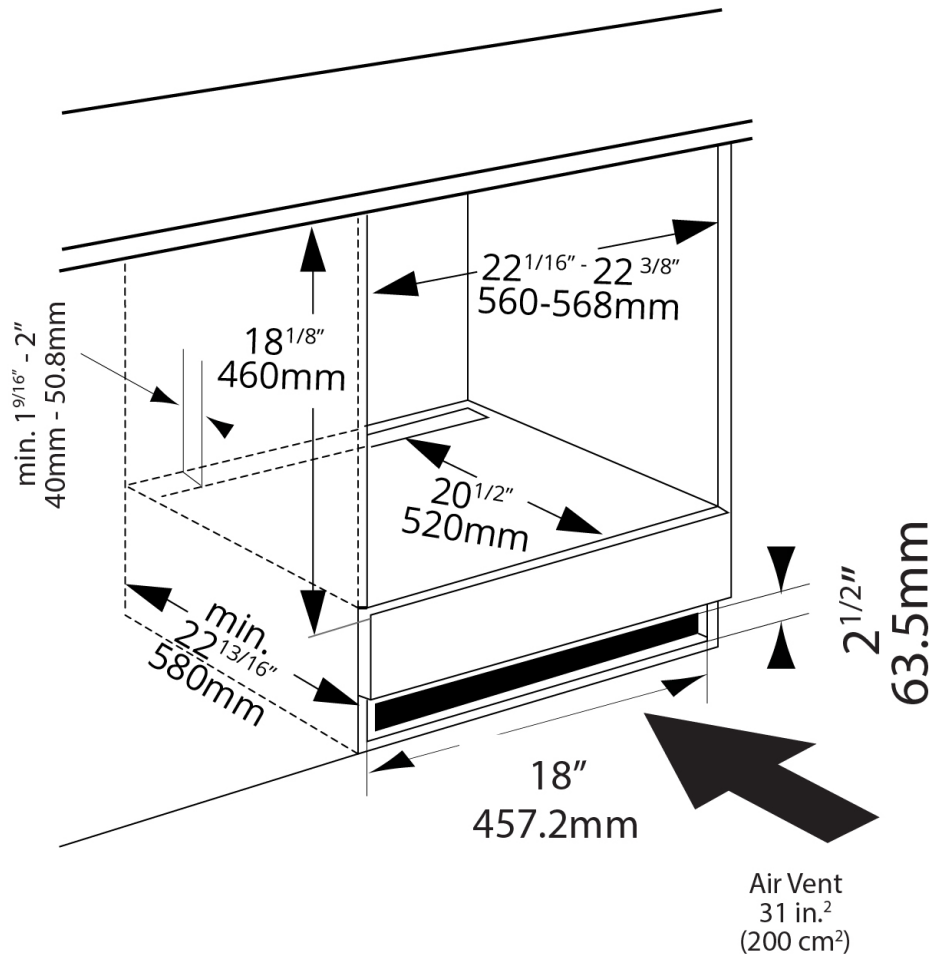
- Install false backs for storage spaces. This will prevent contents from falling through the vent space. In addition, warm air will not interfere with store contents.

STPS60TM-1

Specifications



Recommended Undercounter Dimensions



Other Product Downloads Available at porterandcharles.ca



WARRANTY INFORMATION

Porter & Charles Appliances are designed and manufactured to the highest standards. Each appliance is covered by a comprehensive 2-year parts and labour warranty. Refer to product warranty policy for complete terms and conditions.

FOR PARTS & SERVICE

Euro-Parts & Service
39822 Belgrave Road, Belgrave, ON. N0G 1E0 1 866 722 2262
www.euro-parts.ca • parts@euro-parts.ca • service@euro-parts.ca

Porter & Charles appliances are imported and distributed in North America by Euro-Line Appliances Inc. For more information, please visit one of our showrooms or www.ela.ca / www.elawest.ca

EURO-LINE APPLIANCES INC.

871 Cranberry Court, Oakville, ON
L6L 6J7 Canada
905 829 3980
1 800 421 6332
info@ela.ca

EURO-LINE APPLIANCES INC.

101-1014 Homer Street, Vancouver, BC
V6B 2W9, Canada
604 235 3980
1 855 ELA WEST (352 9378)
info@elawest.ca