

# STPS60TM

24" BUILT-IN COMPACT STEAM OVEN



# STPS60TM

## 24" BUILT-IN COMPACT STEAM OVEN



### FEATURES

- 38 litre (1.34 cu. ft.) oven capacity, 45 cm high
- 5 cooking functions including steam and convection
- Fingerprint proof stainless steel frame
- Stainless steel inner cavity
- Digital display with easy to use retractable control knobs
- Children's safety lock
- Memory function- program 3 favourite recipes
- 3 AutoCook functions
- Drop-down grill for easy cleaning
- Fully programmable clock and timer

### STEAM OVEN ACCESSORIES

- Water tank
- Perforated baking tray
- Baking sheet
- Wire rack
- Optional – TK455 : 2 piece stainless steel trim kit to create a seamless cooking tower in 30" cabinet opening

### ELECTRICAL REQUIREMENTS

- 208/240 Volt, 60Hz, 20 amp
- Supplied with a 5ft long electrical cable and must be hard wired

### STEAM OVEN DIMENSIONS (Inch/mm)

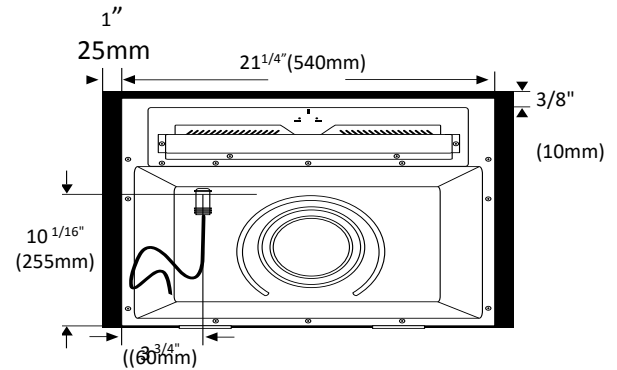
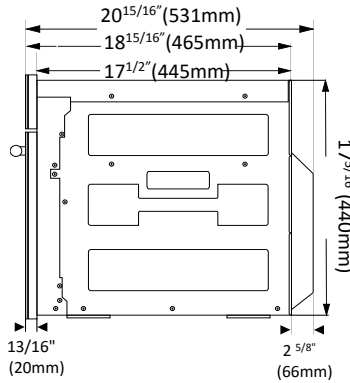
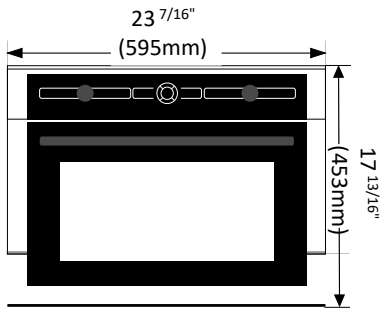
- D: 20 <sup>15</sup>/<sub>16</sub>" • W: 23 <sup>7</sup>/<sub>16</sub>" • H: 17 <sup>13</sup>/<sub>16</sub>"
- D: 531 mm • W: 595 mm • H: 453 mm

### CUT OUT DIMENSIONS (Inch/mm)

- D: 21 <sup>5</sup>/<sub>8</sub>" • W: 22 <sup>1</sup>/<sub>16</sub>" • H: 17 <sup>3</sup>/<sub>4</sub>"
- D: min. 550 mm • W: min. 560 mm • H: 450 mm

# STPS60TM

24" BUILT-IN COMPACT STEAM OVEN

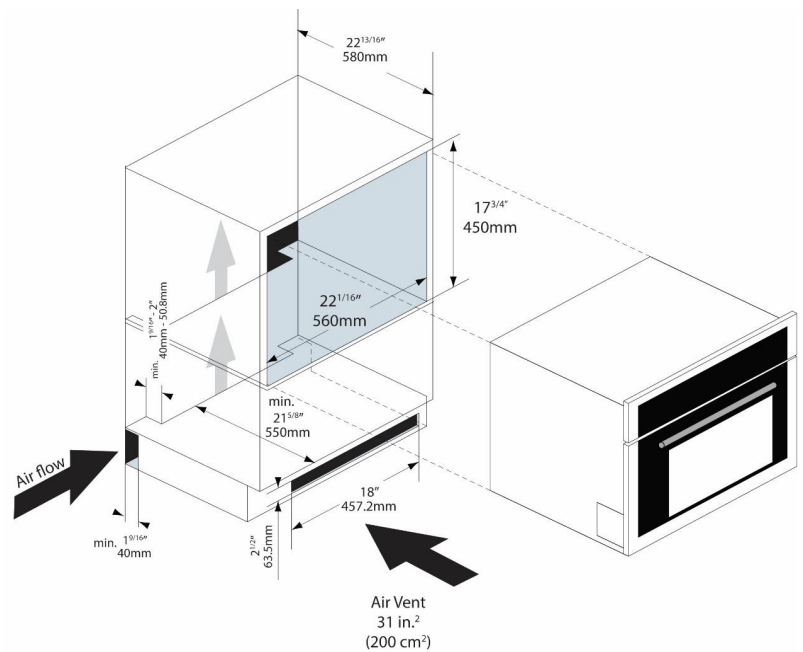
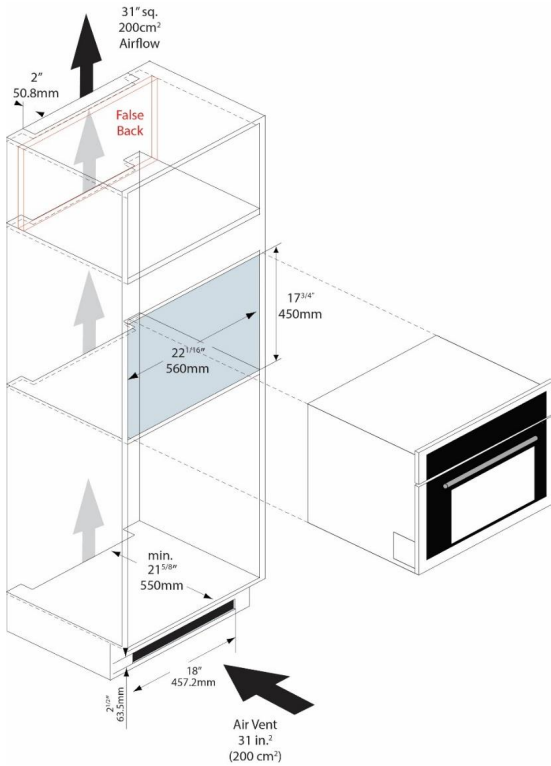


## STEAM OVEN DIMENSIONS (Inch/mm)

- D: 20 15/16" • W: 23 7/16" • H: 17 13/16"
- D: 531 mm • W: 595 mm • H: 453 mm

## CUT OUT DIMENSIONS (Inch/mm)

- D: 21 5/8" • W: 22 1/16" • H: 17 3/4"
- D: min. 550 mm • W: min. 560 mm • H: 450 mm



### \*IMPORTANT\*

- PORTER&CHARLES ovens are supplied with a 5' long electrical cable and must be hard wired to the electrical supply
- PORTER&CHARLES ovens uses the following wires:  
Live wires: RED & BLACK  
Ground: GREEN  
The Neutral (White) wire is not required for the electrical installation.

### FALSE BACKS

- Install false backs for storage spaces. This will prevent contents from falling through the vent space. In addition, warm air will not interfere with your stored contents



Porter & Charles Appliances are designed and manufactured to the highest standards.  
Each appliance is covered by a comprehensive 2-year parts and labor warranty.

**Refer to product warranty policy for complete terms and conditions.**

**FOR PARTS AND SERVICE**

Euro-Parts & Service  
39822 Belgrave Road, Belgrave, ON. N0G 1E0  
1 800 678 8352 (Canada) • 1 800 561 4614 (U.S.)

[www.euro-parts.ca](http://www.euro-parts.ca) • [parts@euro-parts.ca](mailto:parts@euro-parts.ca) • [service@euro-parts.ca](mailto:service@euro-parts.ca)

Porter & Charles appliances are imported and distributed in North America by  
Euro-Line Appliances Inc. For more information, please visit one of our showrooms or  
[www.ela.ca](http://www.ela.ca) [www.elawest.ca](http://www.elawest.ca)

***EURO-LINE APPLIANCES INC.***

871 Cranberry Court  
Oakville, ON L6L 6J7 Canada  
905 829 3980 - 1.800.421.6332  
[info@ela.ca](mailto:info@ela.ca)

***EURO-LINE APPLIANCES WEST INC.***

101-1014 Homer St.  
Vancouver, BC V6B 2W9 Canada  
604 235 3984 - 1 855 ELA WEST (352 9378)  
[info@elawest.ca](mailto:info@elawest.ca)





Porter & Charles Appliances are designed and manufactured to the highest standards.  
Each appliance is covered by a comprehensive 2-year parts and labor warranty.

**Refer to product warranty policy for complete terms and conditions.**

**FOR PARTS AND SERVICE**

Euro-Parts & Service  
39822 Belgrave Road, Belgrave, ON. N0G 1E0  
1 800 678 8352 (Canada) • 1 800 561 4614 (U.S.)

[www.euro-parts.ca](http://www.euro-parts.ca) • [parts@euro-parts.ca](mailto:parts@euro-parts.ca) • [service@euro-parts.ca](mailto:service@euro-parts.ca)

Porter & Charles appliances are imported and distributed in North America by  
Euro-Line Appliances Inc. For more information, please visit one of our showrooms or  
[www.ela.ca](http://www.ela.ca) [www.elawest.ca](http://www.elawest.ca)

***EURO-LINE APPLIANCES INC.***

871 Cranberry Court  
Oakville, ON L6L 6J7 Canada  
905 829 3980 - 1.800.421.6332  
[info@ela.ca](mailto:info@ela.ca)

***EURO-LINE APPLIANCES WEST INC.***

101-1014 Homer St.  
Vancouver, BC V6B 2W9 Canada  
604 235 3984 - 1 855 ELA WEST (352 9378)  
[info@elawest.ca](mailto:info@elawest.ca)

