

SPPS60TM-1

24" Built-In Compact Speed Oven, 45cm High



Signature Features

Versatility

Combines the power of microwave with convection and broil capabilities in one easy-to-use appliance. Use the modes separately or in combination to prepare a wider variety of foods in reduced time.

1.3 Cu. Ft. Capacity

With its family-sized capacity and equipped turntable this oven has the room for any meal.

Touch Control with Control Dial

Intuitively control your oven's functions and enjoy a more instinctive way to cook.

General Properties

- Black Glass with Stainless Steel Trim
- 38L - 1.3 cu. ft. Capacity
- 3 Rack Positions
- Stainless Steel Inner Cavity



Features

- Speed Cooking
- Microwave + Broiler
- Digital Display with Control Knobs
- Delayed Start Time
- Start / Pause Function
- Fully Automatic Digital Clock and Timer
- Cooking Duration Control
- End Time Cooking Control
- Double Glazed Removable Door
- Drop-Down Grill for Easy Clean
- Bright Interior Lighting
- Child Safety Lock

Oven Functions

- Microwave
- Quick Start
- Broiler
- Microwave + Broiler
- Convection
- Microwave + Convection
- Broiler + Fan
- Auto Defrost
- Microwave + Hot Air
- Grill + Fan

Oven Performance

Microwave Power

- 200 W - 1000 W

Microwave + Broiler Power

- 200-600 W

Microwave + Hot Air

- 200-600 W

Technical Specifications

Front Dimensions (W/H/D)

- 23^{7/16"} / 17^{15/16"} / 20^{7/16"}

- 595mm / 455mm / 519mm

Cabinet Dimensions (W/H/D)

- 22^{3/8"} / min. 17^{5/8"} / 21^{5/8"}

- 568mm / min. 447mm / 549mm

Electrical Requirements

- 208/240 V / 60 Hz / 20 Amp
- Supplied with a 5' long electrical cable and must be hardwired.

Weight

- 78 lbs. / 35 kg

Accessories

- Circular Glass
- Turntable & Support Ring
- Turntable Plate
- Wire Rack
- Optional 2-Piece Trim Kit - TK455 - 2 piece stainless steel trim kit designed to accommodate 24" built-in appliances into a 30" cabinet opening.

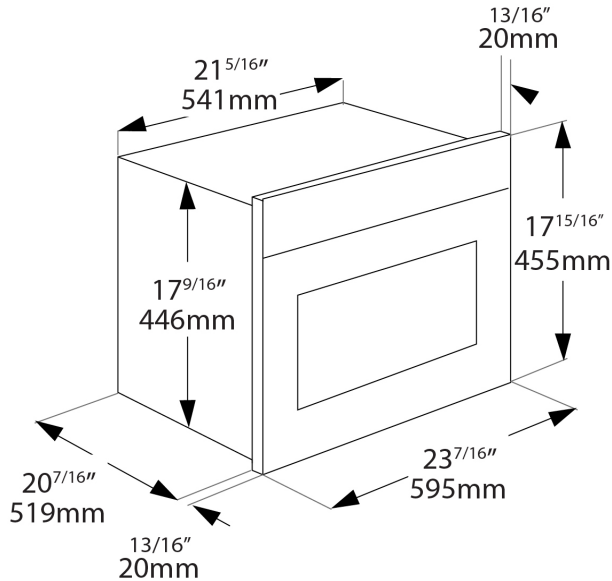
SPPS60TM-1

Specifications



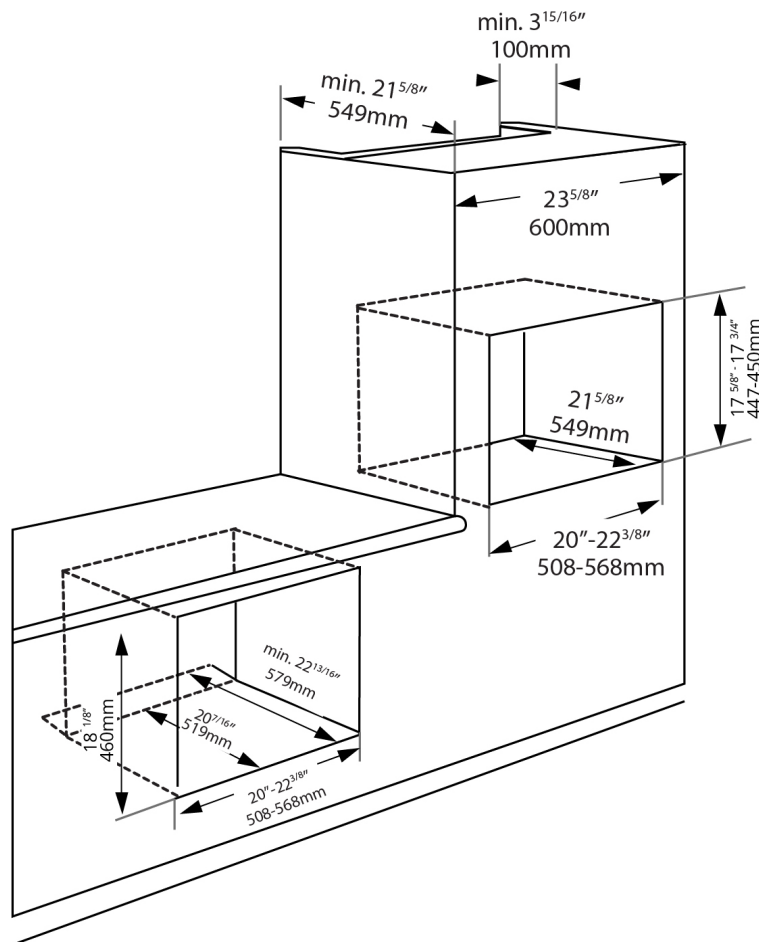
Front Dimensions (W/H/D)

- 23^{7/16}" (595mm) / 17^{15/16}" (455mm) / 20^{7/16}" (519mm)



Cabinet Dimensions (W/H/D)

- 22^{3/8}" (568mm) / min. 17^{5/8}" (min. 447mm) / 21^{5/8}" (549mm)

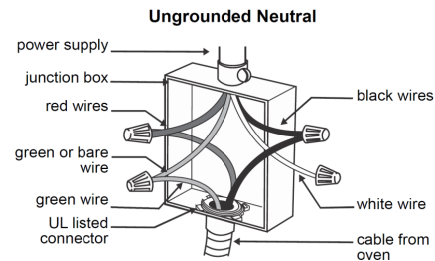


Electrical Requirements

- 240 V / 60 Hz / 20 Amp / 3200 W

4-Wire Branch Circuit

- Disconnect ground from neutral at free end of conduit.
- Connect the green ground wire from the oven to the ground wire in the junction box (bare or green colored wire).
- Connect the red and black leads from the oven to the corresponding leads in the junction box.



FALSE BACKS

- Install false backs for storage spaces. This will prevent contents from falling through the vent space. In addition, warm air will not interfere with store contents.

Other Product Downloads Available at porterandcharles.ca



WARRANTY INFORMATION

Porter & Charles Appliances are designed and manufactured to the highest standards. Each appliance is covered by a comprehensive 2-year parts and labour warranty. Refer to product warranty policy for complete terms and conditions.

FOR PARTS & SERVICE

Euro-Parts & Service
39822 Belgrave Road, Belgrave, ON. N0G 1E0 1 866 722 2262
www.euro-parts.ca • parts@euro-parts.ca • service@euro-parts.ca

Porter & Charles appliances are imported and distributed in North America by Euro-Line Appliances Inc. For more information, please visit one of our showrooms or www.ela.ca / www.elawest.ca

EURO-LINE APPLIANCES INC.

871 Cranberry Court, Oakville, ON
L6L 6J7 Canada
905 829 3980
1 800 421 6332
info@ela.ca

EURO-LINE APPLIANCES INC.

101-1014 Homer Street, Vancouver, BC
V6B 2W9, Canada
604 235 3980
1 855 ELA WEST (352 9378)
info@elawest.ca