

# SOPS76ECO

30" Stainless Steel Built-In Multifunction Oven



## Signature Features

### Large Capacity

Prepare multiple dishes, including vegetables, pastries, or casseroles with a large capacity of 4.3 cubic feet. Or easily cook large meals, like a big roast or holiday turkey.

### Stainless Steel Dial Knobs

Stainless-steel control knobs for simple and intuitive cooking..

### Removable Door

Allows for easier cleaning.

## General Properties

- Anti Finger-print stainless steel
- 120L - 4.3 cu. ft. Capacity
- Electric multifunction
- 5 Shel positons
- 1 Pair of full extension telescopic Rails
- Stainless steel cavity



## Features

- 5 Cooking Functions
- Retractable Control Knobs
- Oven Power Indicator Light
- Metric Imperial Baking Chart
- Inclined Ceiling Light
- Double Glazed Removable Door
- Residual Heat Indicator
- Cooling Fan

## Oven Functions

- Classic Bake
- Fan Assist
- Fan Grill
- High Bake
- Conventional Cooking

## Technical Specifications

### Front Dimensions (W/H/D)

- 29<sup>13/16"</sup> / 24<sup>3/16"</sup> / 21<sup>7/8"</sup>
- 758mm / 615mm / 555mm

### Cabinet Dimensions (W/H/D)

- 28<sup>1/2"</sup> / 24<sup>3/16"</sup> / 22<sup>1/4"</sup>
- 724mm / 614mm / 565mm

### Electrical Requirements (Condo)

- 230 V / 60 Hz / 30 Amp / 3460 W
- Supplied with a 5ft long electrical cable and must be hard wired

### Electrical Requirements (Home)

- 240 V / 60 Hz / 30 Amp / 4580 W
- Supplied with a 5ft long electrical cable and must be hard wired

## Accessories

- Grill / Roasting Pan
- Reversible Grill Insert
- 2 Chrome Oven Racks
- Full Extension Telescopic Rails
- Bottom Vent Grill (7427640) available.

# SOPS76ECO

## Specifications

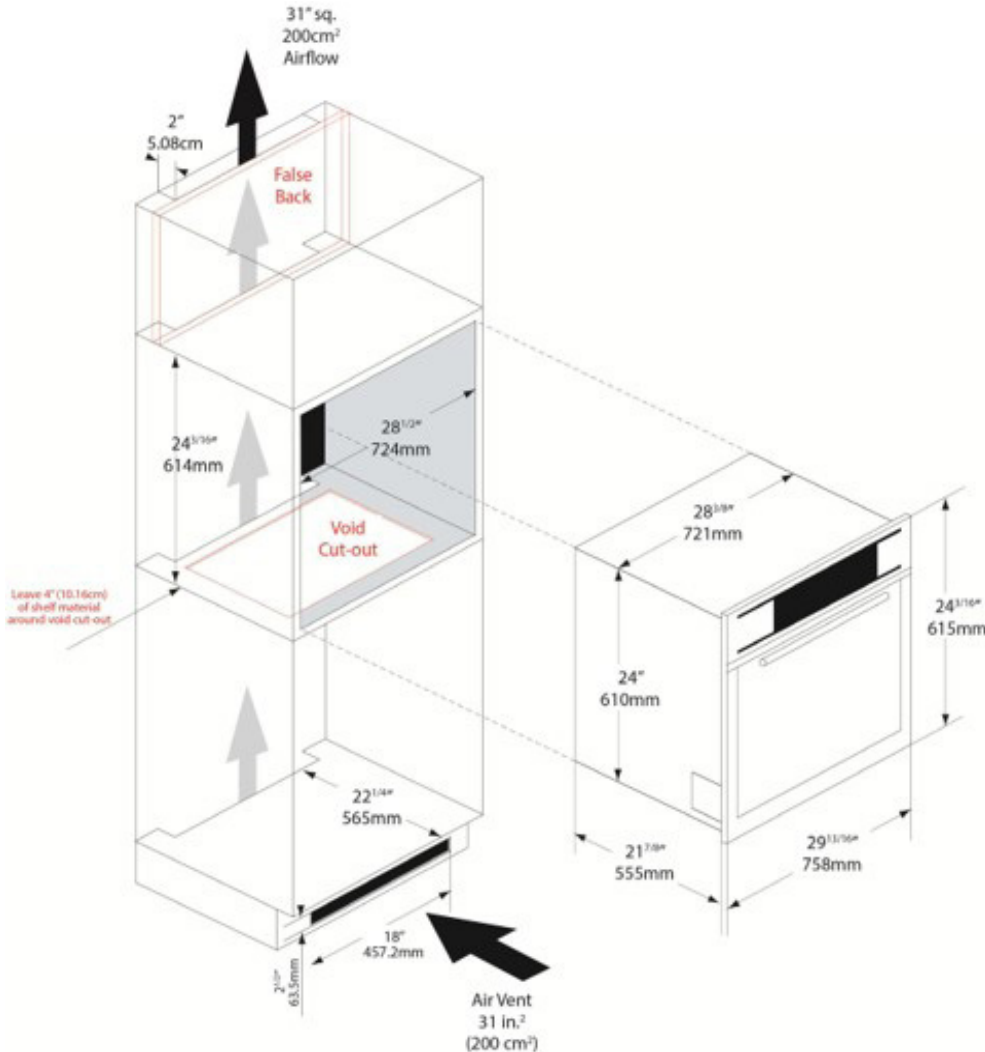


### Front Dimensions (W/H/D)

- 29<sup>13/16"</sup> (758mm) / 24<sup>3/16"</sup> (615mm) / 21<sup>7/8"</sup> (555mm)

### Cabinet Dimensions (W/H/D)

- 28<sup>1/2"</sup> (724mm) / 24<sup>3/16"</sup> (614mm) / 22<sup>1/4"</sup> (565mm)



### Electrical Requirements

#### Electrical Requirements (Condo)

- 230 V / 60 Hz / 30 Amp / 3460 W
- Supplied with a 5ft long electrical cable and must be hard wired

#### Electrical Requirements (Home)

- 240 V / 60 Hz / 30 Amp / 4580 W
- Supplied with a 5ft long electrical cable and must be hard wired

#### \*IMPORTANT\*

- P&C Ovens are supplied with a 5' long electrical cable and must be hardwired
- P&C Ovens operate using the following wires:
  - **RED & BLACK:** Live Wires
  - **GREEN:** Ground
  - The Neutral (White) wire is not required for the electrical installation.

#### \*VOID CUT OUT

- If the oven is mounted in a tall or semi-tall cabinet, there must be a minimum gap of 1 9/16" (4cm) cut out of the shelf and behind the upper cabinet to allow air to flow freely.
- A void must be cut out in the shelf of the cabinet. Leave 4" of shelf material around the void.
- Additional support must be added to the shelf with the void. The support must be able to withstand the oven weight.
- If insufficient airflow is not provided, the life span of the appliance will be shortened.
- Cut out in the toe kick is required for adequate airflow.
- Bottom vent grill (7427640) available.

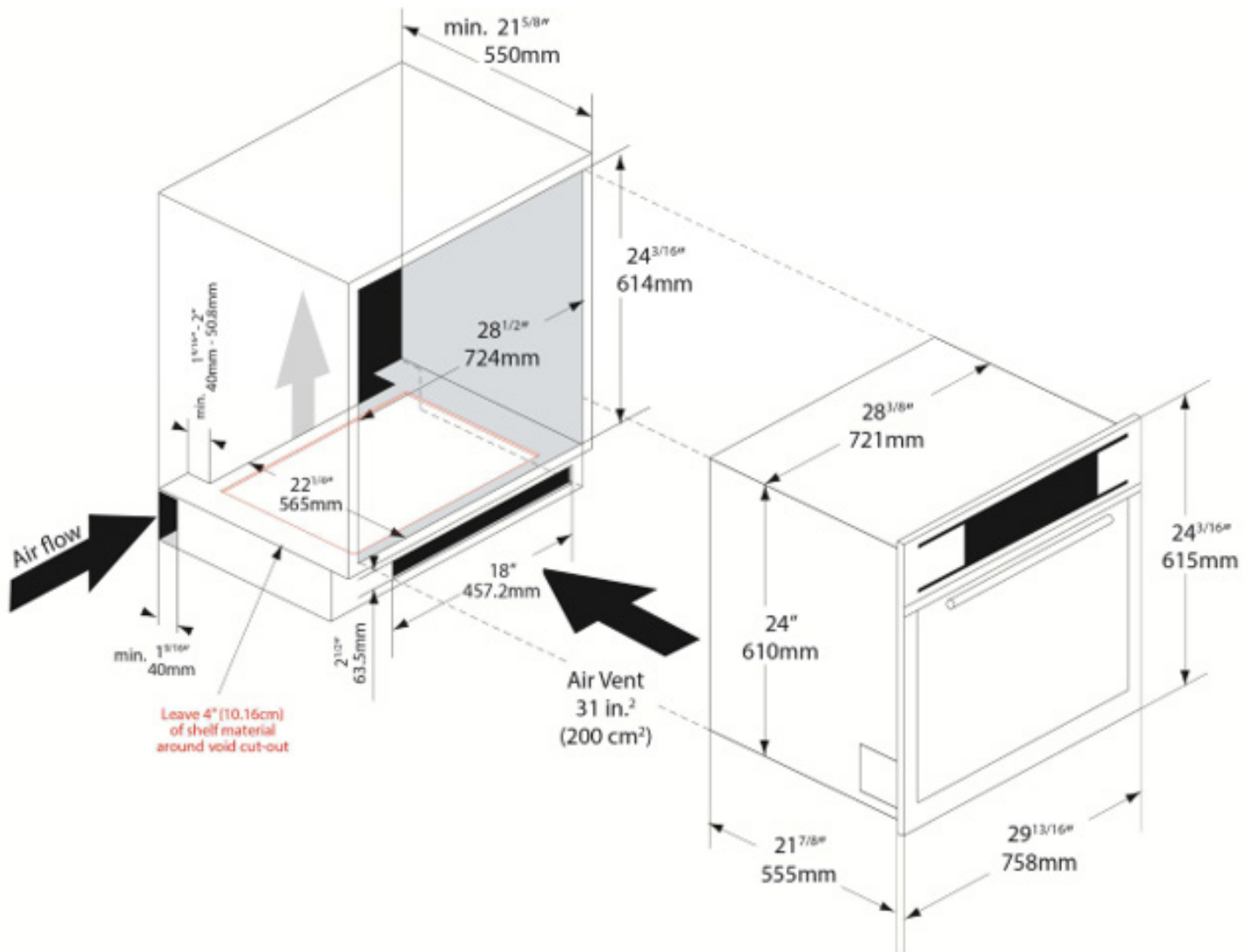
#### FALSE BACKS

- Install false backs for storage spaces. This will prevent contents from falling through the vent space. In addition, warm air will not interfere with store contents.

### Recommended Under Counter Dimensions

#### Air Flow Requirements

- If the oven is being placed under the counter, there must be a minimum gap of 1 <sup>9</sup>/<sub>16</sub>" (4cm) cut out of the shelf behind the oven to allow air to flow freely.
- A void must be cut out in the shelf of the cabinet. Leave 4" of shelf material around the void.
- Additional support must be added to the shelf with the void. The support must be able to withstand the oven weight.
- If insufficient airflow is provided, the life span of the appliance will be shortened.
- Cut out in the toe kick is required – Silver cabinet base air bottom ventilation grill (7427640) available model.



Other Product Downloads Available at [porterandcharles.ca](http://porterandcharles.ca)

- [Download User Manual](#)



#### WARRANTY INFORMATION

Porter & Charles Appliances are designed and manufactured to the highest standards. Each appliance is covered by a comprehensive 2-year parts and labour warranty. Refer to product warranty policy for complete terms and conditions.

#### FOR PARTS & SERVICE

Euro-Parts & Service  
39822 Belgrave Road, Belgrave, ON. N0G 1E0 1 866 722 2262  
[www.euro-parts.ca](http://www.euro-parts.ca) • [parts@euro-parts.ca](mailto:parts@euro-parts.ca) • [service@euro-parts.ca](mailto:service@euro-parts.ca)

Porter & Charles appliances are imported and distributed in North America by Euro-Line Appliances Inc. For more information, please visit one of our showrooms or [www.ela.ca](http://www.ela.ca) / [www.elawest.ca](http://www.elawest.ca)

#### EURO-LINE APPLIANCES INC.

871 Cranberry Court, Oakville, ON  
L6L 6J7 Canada  
905 829 3980  
1 800 421 6332  
[info@ela.ca](mailto:info@ela.ca)

#### EURO-LINE APPLIANCES INC.

101-1014 Homer Street, Vancouver, BC  
V6B 2W9, Canada  
604 235 3980  
1 855 ELA WEST (352 9378)  
[info@elawest.ca](mailto:info@elawest.ca)