

Installation & Maintenance

ES	Instalación y Mantenimiento
PT	Instalação e Manutenção
EN	Installation & Maintenance
FR	Installation et Entretien
DE	Installation und Wartung
NL	Installatie en onderhoud
IT	Installazione e manutenzione

Installation and maintenance instructions index

SAFETY INSTRUCTIONS	29	ACCESSORIES	35
Electrical safety	29	Assembling the telescopic runners.....	35
Child safety	30	Telescopic runners with folding clip.	35
Oven use safety	30	Telescopic runners with direct clip ..	35
Safety in cleaning and maintenance	31	CLEANING AND MAINTENANCE	36
Safety when using the pyrolytic cleaning cycle	31	Cleaning the oven exterior and accessories.....	36
INSTALLATION	33	Cleaning the oven interior.....	36
Before installation.....	33	Assembling the side supports	36
Column installation	33	Assembling the supports.....	36
Undercounter installation	33	Dismantling the bottom panel.....	36
Electrical connection	33	Ovens with a folding grill.....	37
Oven installation.....	33	Cleaning the oven door	37
ENVIRONMENTAL INFORMATION	34	Dismantling/assembling the door with hinge on body.....	37
Disposal of the ecological packaging ..	34	Dismantling/assembling the door with hinge on door	37
Product disposal.....	34	Dismantling/assembling the interior glass panes of the door	38
Energy information	34	Changing the oven light bulb.....	38
BEFORE FIRST USE	34	Changing the upper bulb	38
OTHER IMPORTANT		Changing the side bulb	38
INSTRUCTIONS	34	Changing the LED lamp	38
		Trouble shooting	39
		Technical Specifications	40
		FIGURES	93

SAFETY INSTRUCTIONS

Read these instructions carefully to obtain the best performance from your oven, safely and correctly. Keep this manual so that it can be read by a new owner.

Electrical safety

- If the power cable is not supplied with the oven, the following cables may be used in non-pyrolytic ovens: H05RR-F / H05VV-F / H05V2V2-F / H07RN-F / H05SS-F. In pyrolytic ovens, only the H05SS-F-type cable may be used. The connection diagram is shown in Figure 1.
- The oven must always be plugged into a sound earth connection and its installation must comply with current regulations.
- This appliance is intended for use at a maximum altitude of 2,000 m.
- When installing the oven, total disconnection means must be incorporated into the fixed installation in accordance with the installation regulations (adapted to the current to be supported and with a minimum space between the contacts of 3 mm) based on surge protection category III conditions, for disconnection in the event of an emergency and when cleaning or changing the bulb. Under no circumstances must the earth wire pass through this switch.
- This switch may be replaced by a plug, provided it is accessible for normal use.
- Any handling or repair to the appliance, including replacement of the power cable, should be carried out by authorised Technical Service Personnel using original spare parts. Repairs or handling by others may damage the appliance or cause malfunctioning that could be hazardous to your safety.
- Unplug your oven if it malfunctions.

- **In combined ovens with countertops and to avoid potential risks, only those recommended by the manufacturer may be assembled.**

Child safety

- **Do not allow children to come near the oven while in use or during the pyrolytic cleaning cycle as it can reach very high temperatures.**
- **Children under 8 years of age should be kept away from the appliance unless they are under constant supervision. Children should not be allowed to play with the appliance.**
- **The appliance may be used by children over the age of 8 and people with reduced physical, sensory or mental capacities or a lack of experience or know-how, provided they have been given appropriate instructions or supervision on how to use the appliance safely and they understand the dangers involved.**

Oven use safety

- **The oven must always be operated with the door closed.**
- **Only use the oven after it has been installed inside the kitchen unit (See Installing the oven).**
- **Do not install the oven behind decorative doors. This can cause it to overheat.**
- **The manufacturer is not responsible for any use of the oven other than for the home preparation of food.**
- **Do not cover the bottom of the oven with aluminium foil, or any other material, as this may affect cooking performance and damage the enamel inside the oven and the interior of your kitchen unit.**
- **Do not store oil, fats or inflammable materials inside the oven. This may be dangerous if the oven is turned on.**
- **Do not lean or sit on the open oven door. It could be damaged and you could be injured.**

- The tray and rack have a system for easy partial removal and handling of food. Always place these accessories inside the oven, as indicated in the Accessories section.
- The oven heats up when in use, so always use oven gloves when performing operations inside the oven and avoid touching the heating elements.
- Only use the supplied temperature probe inside the oven (in models that come with this feature).

Safety for cleaning and maintenance

- Disconnect the appliance from the mains power supply before any operation.
- Do not use steam cleaners or pressurised water to clean the oven.
- Do not use metal scouring pads, wire brushes or commercially available or abrasive powder cleansers to clean the oven door as they can scratch the surface and cause the glass to break.
- Cleaning and maintenance tasks to be carried out by the user should not be done by children without supervision.
- Before replacing a bulb, first make sure that the oven has been disconnected from the mains to avoid the possibility of receiving an electric shock.
- Remove all accessories and dishes from the oven, including the shelf supports and/or telescopic runners.
- Clean any spillages or excess dirt, as during the pyrolytic cleaning cycle these could ignite and become a fire hazard.
- For your safety, never operate the oven without the back panel (that protects the fan) in place.

Safety when using the pyrolytic cleaning cycle

Before starting the cleaning cycle:

- **CAUTION:** Remove all accessories and dishes from the oven, including the shelf supports and/or telescopic runners.

- **Clean any spillages or excess dirt, as during the pyrolytic cleaning cycle these could ignite and become a fire hazard.**
- **Remove any dirt from the oven gasket.**
- **Carefully follow the instructions for programming the pyrolytic cleaning cycle.**

During the pyrolytic cleaning process:

- **Do not leave any cloths or fabric hanging from the oven handle or in close contact with it.**
- **For safety reasons, if the oven has been installed below the counter, the hob must not be in use while the oven is in pyrolytic mode.**
- **The oven's inside light will remain off and cannot be turned on.**
- **The oven is equipped with a safety lock mechanism that prevents the door from being opened during the cleaning cycle. Do not try to open the door while the lock is activated.**



INFORMATION

This manual describes general oven characteristics, and so they may not correspond in full to those of your oven. Consult the User's guide accompanying this manual to learn about the specific features and equipment of your oven.

The manufacturer reserves the right to change the product characteristics in order to improve its operation.

Installation

This information is exclusively for the installer who is responsible for assembly and electrical connection. The manufacturer will not accept liability for possible damage caused if you install the oven yourself.

BEFORE INSTALLATION

- To handle the oven, use the grips at the sides. Do not use the door handle to lift the oven.
- When installing the oven under a counter, follow the instructions for installing it.
- In general, protruding elements (furniture reinforcements, pipes, socket bases, etc.) at the back of the unit must be avoided.
- When the base of the main power socket is inside the unit in which the oven is installed, this must be done in the shaded area. Figure 2.
- The unit in which the oven is installed and adjacent units must withstand temperatures higher than 85 °C.
- The installation instructions must be adhered to strictly. If not, the oven's ventilation circuit may become blocked, causing high temperatures that could damage the kitchen unit and the appliance itself.
- For this purpose, check the unit measurements and those of the holes to be drilled in the units, as shown in the following figures:

Column installation.

60 cm oven: Figure 7*.

45 cm oven: Figure 8*.



CAUTION

* When installing **pyrolytic ovens**, **DO NOT** drill any holes in the unit inside the shaded areas.

Undercounter installation.

60 cm oven: Figure 9*.

45 cm oven: Figure 10*.



WARNING

* When installing **pyrolytic ovens**, **DO NOT** drill any holes in the unit inside the shaded areas.

ELECTRICAL CONNECTION

The fitter must ensure that:

- The mains power voltage and frequency correspond to what is marked on the identification plate.
- The domestic wiring system can withstand the maximum power marked on the identification plate.
- After connecting the power supply, check that all electrical parts of the oven are working correctly.

OVEN INSTALLATION

For all ovens. After the electrical connection has been done:

1. Position the oven inside the unit and ensure that the feed cable is not trapped or in contact with parts of the oven that heat up.
2. Make sure that the body of the oven is not in contact with the walls of the unit and that there is a minimum space of 2 mm between adjacent units.
3. Centre the oven in the unit so that there is a minimum space of 5mm between the oven and the doors of the furniture that surrounds it. Figure 3.
4. Open the door and insert the plastic plugs supplied with the oven into their respective housings. Figure 11.
5. Fasten the oven to the unit with the screws supplied, screwing them into the unit through the stops.



WARNING

Do not lean on the open door of the oven while executing steps 4 and 5, as the oven

is not secured to the unit and it could move forwards and fall to the floor.

Environmental information

DISPOSAL OF THE ECOLOGICAL PACKAGING


The packaging is made from totally recyclable materials which can be put to other uses. Consult your local council regarding the necessary procedures for disposing of these materials.

disposal service or the establishment where you bought the product from for more information on recycling the appliance.

PRODUCT DISPOSAL



WARNING

The  symbol on the product or packaging indicates that this appliance cannot be disposed of as normal household waste. It should be taken to an electrical and electronic equipment collection point for recycling. In this way, any negative consequences for the environment and public health from incorrect handling can be avoided.

Contact your local council, household waste

ENERGY INFORMATION





Tested to comply with the requirements of the 66/2014 (Eco-Design) and 65/2014 (Energy Labelling) regulations in accordance with Regulation EN 60350-1.

Energy consumption measurements taken under different conditions may give different values from those indicated for your oven.

Consult the User's guide accompanying this manual to learn about the energy consumption of your oven.

Before first use

There may be traces of fat and other substances in the oven as a result of the manufacturing process. These should be removed using the following procedure:

1. Remove all the packaging from your oven, including the protective plastic, if any.
2. Turn your oven to  / , or if this setting is not available to  / , at 200 °C for 1 hour. Consult the User's guide accompanying this manual on how to do this.

3. Cool the oven with the door open so that it ventilates and no odours remain inside it.
4. Once cold, clean the oven and the accessories.

During this first operation, smoke and smells will be produced. The kitchen should therefore be well ventilated.

Other important instructions

Do not pour water on the bottom surface when in use; this may damage the enamel.

It is normal for condensation to occur on the oven door when cooking food with a high liquid content.

When closing the oven door during cooking, the sound of the air inside it can be heard. This effect is normal due to the pressure exerted by

the door when it is closed, guaranteeing the sealing of the cavity.

Accessories

Do not leave any containers or food on the oven floor. Always use the trays and racks supplied with the oven.

To prepare yoghurt, place the jars on the oven floor.

To cook any other food, insert the tray or rack into the runners inside the oven.

1. Between the two rails of the side supports or on any of the extractable runners, if the oven has them.
2. The rack and some of the trays have retention grooves to prevent them from accidentally being removed. Place these grooves towards the back of the oven, facing downwards. Figure 4.
3. The surface of the rack on which the container will rest must be below the side rails. This prevents the container from accidentally sliding. Figure 5.
4. The trays have a tab at the front to facilitate their removal. Place the tray with the tab facing towards the outside of the oven. Figure 6.

ASSEMBLING THE TELESCOPIC RUNNERS.

Some oven models have a telescopic runner kit accessory.

To assemble the telescopic runners on the chrome-plated supports, proceed as follows:

Telescopic runners with folding clip



WARNING

The runners must be placed at height 2, starting from below. Figure 12.

1. Remove the protective film.
2. Hook the large clips on the upper rail and extend the runner until it hooks on the small clips on the lower rail. Figure 12.
3. You will hear a "click" when the runner is correctly secured. Figure 13.
4. The notch to fix the tray/support must remain at the front part of the oven. Figure 13.

Telescopic runners with direct clip



WARNING

The single extraction runners must be placed at heights 1, 2, 3 and 5 starting from below. Figure 14.

The double extraction runners must be placed at heights 1, 2 and 3 starting from below. Figure 15.

In 45 cm ovens, the telescopic runners are positioned at height 1. Figure 16.

1. Hook the clip on the top rail at the desired level. Figure 17.
2. You will hear a "click" when the runner is correctly secured. Figure 18.
3. The notch to fix the tray/rack support must remain at the front part of the oven. Figure 18.

Cleaning and maintenance



WARNING

Disconnect the appliance from the mains power supply before any operation.

CLEANING THE OVEN EXTERIOR AND OVEN ACCESSORIES

Clean the outside of the oven and accessories with warm soapy water or with a mild detergent.

Take great care when cleaning stainless steel or painted surfaces. Use only sponges or cloths that do not scratch.



CAUTION

The telescopic runners must not be placed in the dishwasher. This will remove the fat that enables them to slide and the runners will become blocked, making them useless.

CLEANING THE OVEN INTERIOR

Clean the oven interior regularly to remove traces of fat or food, which can later give off smoke and odours and cause stains to appear.

Use nylon brushes or sponges with warm soapy water to clean enamelled surfaces such as the bottom of the oven. Clean when the oven is cold. Use oven-cleaning products only on enamelled surfaces and always follow the manufacturer's instructions.



WARNING

Do not clean the oven interior with steam or pressurised-water cleaning equipment.

Do not use metal scouring pads, wire brushes or any utensil that can scratch the enamel.

Over time, certain types of food such as toma-

toes, vinegar and salt-baked dishes may cause the enamel to change colour. This is normal and does not affect the functioning of the oven. Do not try to remove these stains using aggressive methods such as those described, as this could cause permanent damage to the surface.

Clean the oven seal regularly to eliminate all traces of fat or food. This will prevent the seal from becoming damaged and breaking during subsequent cooking operations.

It is advisable to clean this seal without removing it.

Dismantling the side supports

1. Remove all accessories from inside the oven.
2. Completely loosen the nut at the front of the fastening element (A), pull the supports forward (B) and remove them. Figure 19.

Assembling the supports

3. Insert the rear notch into the rear fastening nut.
4. Fix the front fastening nut (C) in the front notch of the support. Figure 20.
5. Secure the support with the nut (D) and turn until it is fully adjusted (E). Figure 20.

Dismantling the bottom panel



INFORMATION

To dismantle the bottom panel first dismantle the side supports, following the instructions set out in the previous section.

Then:

1. Remove the bottom screws (A) and then the top screw (B). Figure 21.
2. To assemble the bottom panel, proceed in the reverse order.

**WARNING**

For your safety, never operate the oven without the back panel (that protects the fan) in place.

Ovens with a folding grill

To clean the top part of the oven:

1. Wait until the oven is cold.
2. Push the rail of the grill element (A) with both hands towards the back of the oven, to release it from the upper fastening nut (B). Figure 22.
3. Let the element fall and clean the top part of the oven. Figure 23.
4. Then put the grill element back in place in its original position and proceed in the reverse order.

Ovens with the Pyrolytic Self-Cleaning Function

Please consult the oven User's guide.

CLEANING THE OVEN DOOR

For easy cleaning, the door can be dismantled. To do this, follow the instructions for the type of door your oven has.

Dismantling/assembling the door with hinge on body

1. Open the oven door fully.
2. Block the hinge by turning the latches. Figure 24.
3. Close the door to the locked position. Figure 25.

4. Hold the door with both hands holding on to both sides, lift up and pull out the oven door until the hinges are fully detached Figure 25.

Assembling the door

5. Hold the door with both hands at the lower part of the sides, insert the hinge arms into their housings and let the door fall as far as it will go. Figure 26.
6. Open the oven door fully. Figure 26.
7. Turn the latches back to their original position.

**WARNING**

Make sure the door is inserted completely by turning the latches. If not, it can become blocked when trying to close it.

**INFORMATION**

If the latches are hard to turn, use a flat tool to turn them.

Dismantling/assembling the door with hinge on door

1. Open the oven door fully.
2. Block the hinge by turning both latches. Figure 27.
3. Close the door to the locked position. Figure 28.
4. Hold the door with both hands holding on to both sides, lift up and pull out the oven door until the hinges are fully detached. Figure 28.

To assemble the door, carry out the steps in the reverse order.

Dismantling/assembling the interior glass of the door



WARNING

If dismantling the glass panes with the door fitted in the oven, always do it with the hinge in the locked position. If not, the door will close and the unmounted glass panes could break and cause injury.



INFORMATION

To prevent this, dismantle the glass panes with the door removed, following the instructions in the previous section.

Depending on the model, your oven may have 2, 3 or 4 panes of glass. Follow the instructions for the type of door your oven has.

1. Using your fingers, press the buttons located at the top of both sides of the oven door. Figure 29.
2. Keep them pressed and pull on the plastic seal above the door. Figure 30.
3. Remove the glass panes from the door. Clean them with a glass cleaner or soap and water and a soft cloth.



WARNING

Pay attention to the order and position of the glass panes when removing them as they must be reassembled in the same order and position when you have finished cleaning them.

4. Once clean, insert pane no. 3 into the same position so that the TERMOGLASS indication printed on it is visible as shown in Figure 31.
5. In pyrolytic ovens, the TERMOGLASS indication on panes numbers 3 and 4 must be visible as shown in Figure 32.

6. Insert pane no. 2 with the printed part facing toward the inner side of the door.
7. Re-attach the top seal of the door, making sure that the side tabs fit into their housings.



WARNING

Never switch the oven on if any of the glass panes on the door are missing.

CHANGING THE OVEN LIGHT BULB



WARNING

Make sure the oven has been disconnected from the mains before changing the bulb.

The replacement bulb must withstand temperatures up to 300 °C. You can order them from the Technical Assistance Service Department.

Changing the upper bulb

1. Unscrew the glass cover of the bulb-holder. Figure 33.
2. Replace the bulb and reassemble the glass cover.

Changing the side bulb

1. Lift off the bulb-holder glass cover with a flat-ended tool. Figure 34.
2. Change the bulb and reassemble the glass cover, ensuring that everything fits in the correct position.

Changing the LED lamp

Call the Technical Assistance Service Department.

Trouble shooting

This section describes some of the most frequent problems that can affect your oven,

along with the most common causes and possible solutions.

The oven stops working

- Check the power connection.
- Check the fuses and the circuit breaker of your installation.
- Make sure the timer is either in the manual or programmed setting.
- Check the position of the control and temperature dial.

The inside light does not go on

- Change the bulb.
- Check it has been properly installed as set out in the Installation Instructions.

The heating pilot light does not turn on

- Select a temperature.
- Select a setting.
- It should only come on while the oven is heating up to the selected temperature.

Oven smoking during use

- Normal during first use.
- Clean the oven regularly.
- Reduce the amount of fat or oil in the tray.
- Do not cook at temperatures higher than those indicated in the cooking chart.

The expected cooking results are not achieved

- Check the cooking charts for guidance on how your oven operates.

My accessories and shelf supports are damaged

- You did not removed the accessories and supports during the pyrolytic cleaning cycle.
- You must replace them and remove them during subsequent cleaning cycles.


The enamel colour has changed or stains have appeared

- The chemical composition of some food-stuffs may cause changes in the enamel.
- This is normal and does not damage the properties of the enamel.



The oven is off, the symbol lights up and the door will not open


- The door lock is activated.
- Deactivate the door lock following the instructions in the User's guide supplied with this manual.



The oven is on, the symbol lights up but the door will not open

- The door lock is activated.
- Turn the control dial to position  .


- Deactivate the door lock following the instructions in the User's guide supplied with this manual.
- To continue cooking, re-select the desired cooking function.



I have turned the control dial to position  and selected a pyrolysis programme (P1, P2 or P3) but the  symbol flashes quickly and a buzzer sounds

- The oven door is not closed properly, so the door cannot be locked and the pyrolytic process has been blocked.
- Check the door and make sure it is properly closed. Then set the control dial to the  position and repeat the sequence to activate the pyrolysis.


I have turned the control dial to position  and selected a pyrolysis programme (P1, P2 or P3) but the symbol  does not light up and the oven does not heat up

- The door switch is not working even though the door is properly closed.
- Call the Technical Assistance Service Department as there is a fault in the door switch.

The pyrolysis programme has ended and the oven is cold, but the door is locked and symbol  and 0:00 are flashing

- You did not turn the control dial to position  when the pyrolysis programme ended.
- Set the control dial to position  .

The control dial is in position  and the door is still locked

- The oven has not cooled down to the safe temperature limit.
- Wait until the oven cools and the symbol  goes off.

Technical specifications



WARNING

If these problems persist despite these tips, contact the Technical Service Department.

Inform the Technical Service Department of the kind of problem you are experiencing and give the:

1. Serial Number (S-No)
2. Model of Appliance (Mod.)

This information is on the oven identification plate which is on one side of the opened door.

Figuras / Figuras / Figures / Figures / Abbildungen / Afbeeldingen / Figure

FIG. / AFB. 1

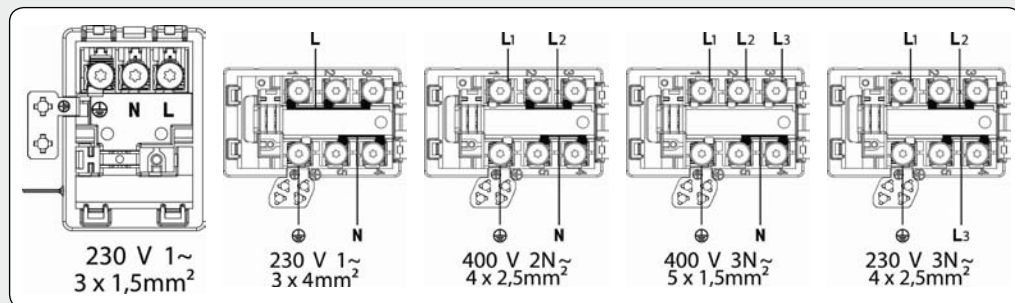


FIG. / AFB. 2

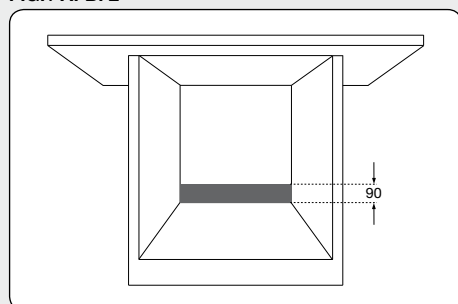


FIG. / AFB. 3

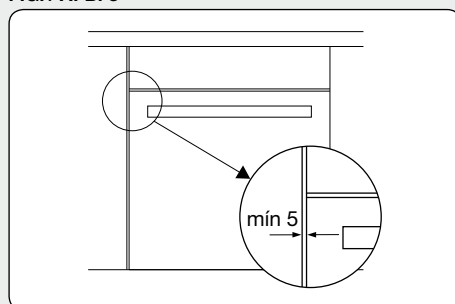


FIG. / AFB. 4

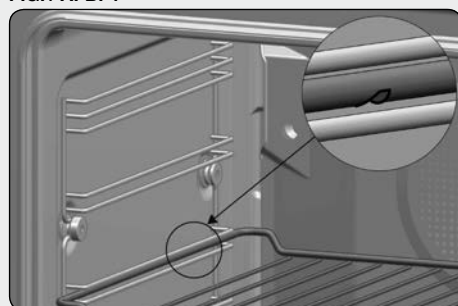


FIG. / AFB. 5

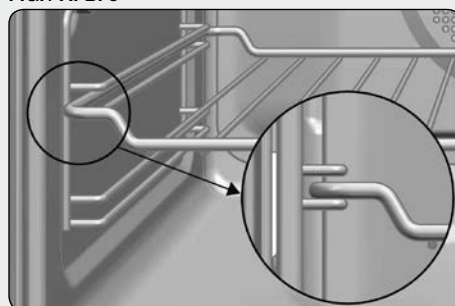


FIG. / AFB. 6

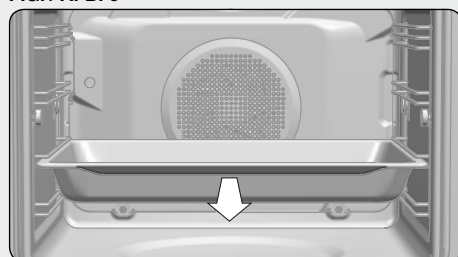


FIG. / AFB. 7

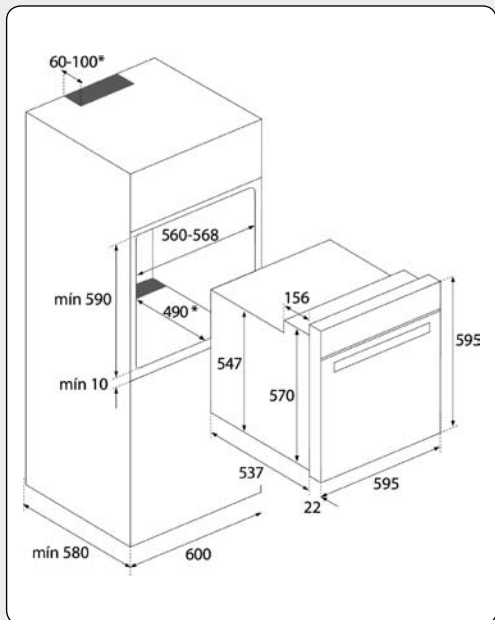


FIG. / AFB. 8

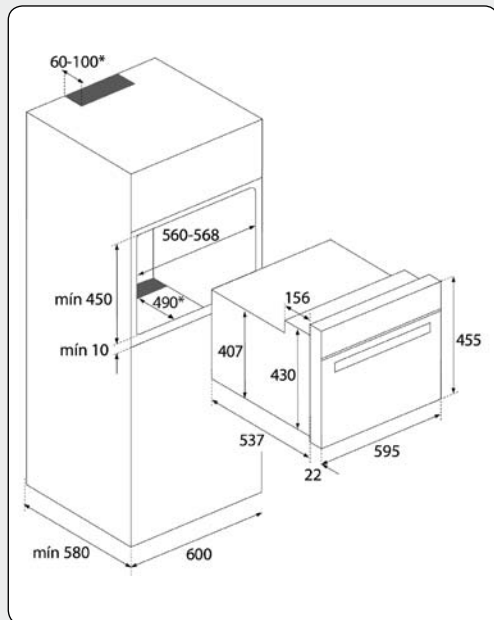


FIG. / AFB. 9

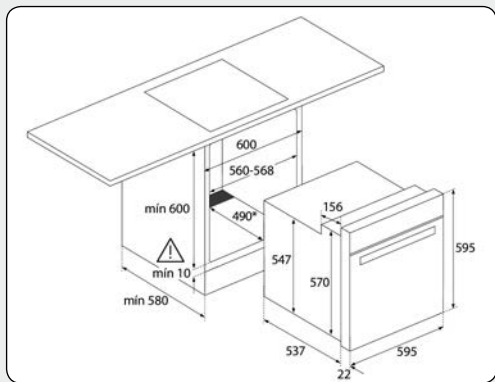


FIG. / AFB. 10

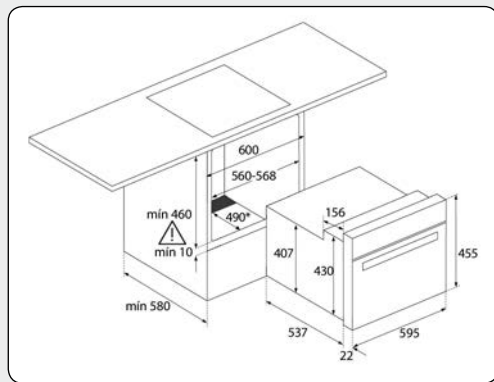
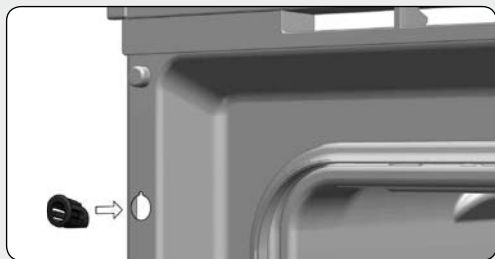


FIG. / AFB. 11



- * Para **hornos pirolíticos NO** realizar las aperturas.
- * Para **foros pirolíticos, NÃO** faça as aberturas.
- * For **pyrolytic ovens, DO NOT** drill any holes.
- * **NE PAS** réaliser d'ouverture pour des **four pyrolytiques**.
- * Für die **Pyrolyseöfen NICHT** die Öffnungen sägen.
- * Voor **pyrolytische ovens GEEN** gaten maken.
- * Nei **forni piroilitici NON** perforare.

FIG. / AFB. 12

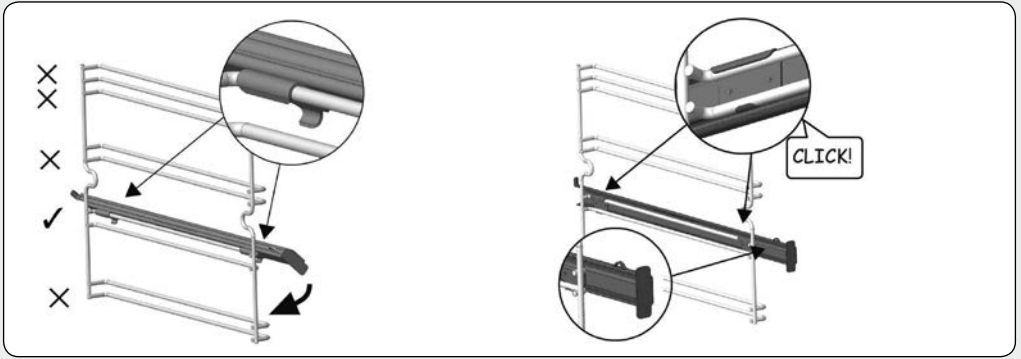


FIG. / AFB. 13

FIG. / AFB. 14

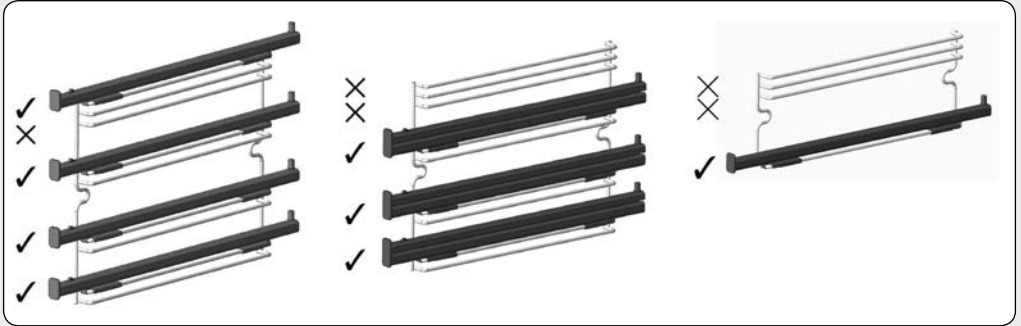


FIG. / AFB. 15

FIG. / AFB. 16

FIG. / AFB. 17

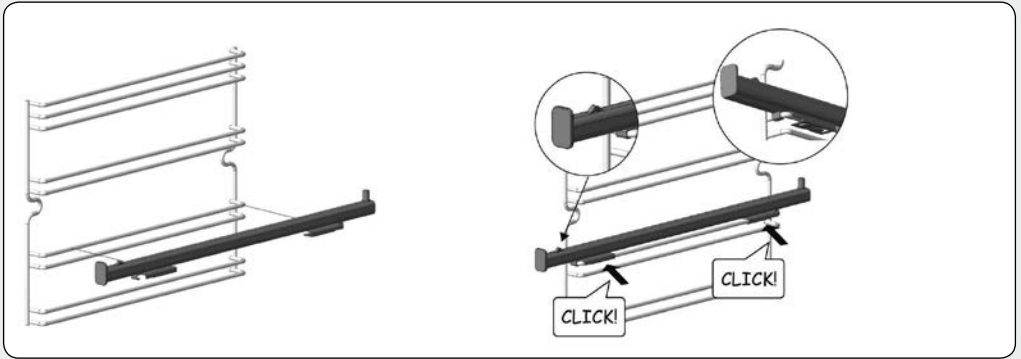


FIG. / AFB. 18

FIG. / AFB. 19

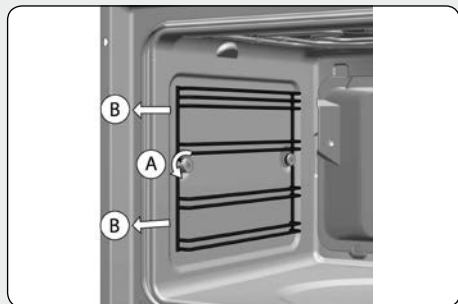


FIG. / AFB. 20

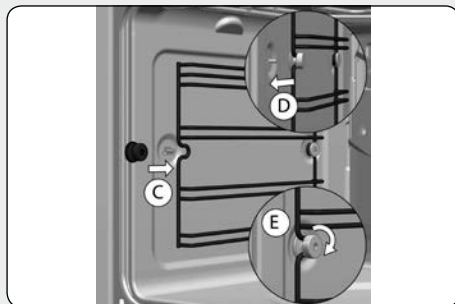


FIG. / AFB. 21

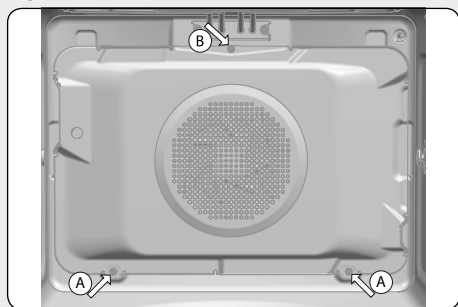


FIG. / AFB. 22

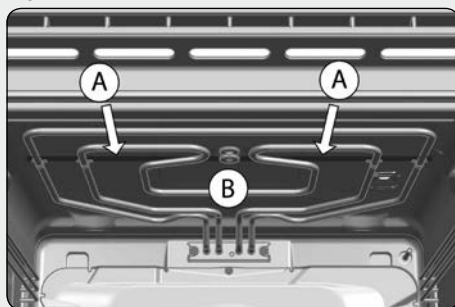


FIG. / AFB. 23

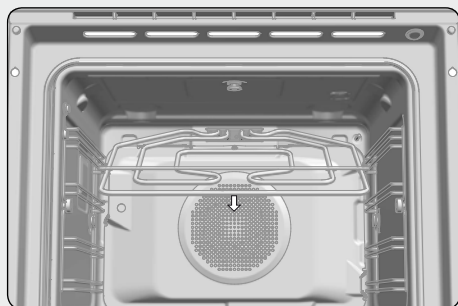


FIG. / AFB. 24

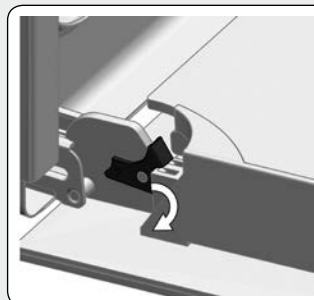


FIG. / AFB. 25



FIG. / AFB. 26

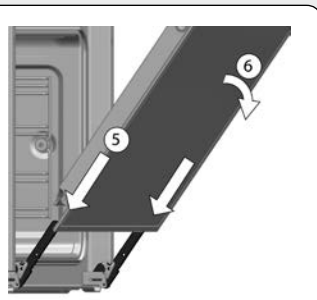


FIG. / AFB. 27



FIG. / AFB. 28



FIG. / AFB. 29

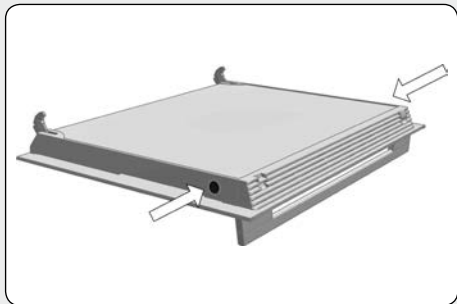


FIG. / AFB. 30

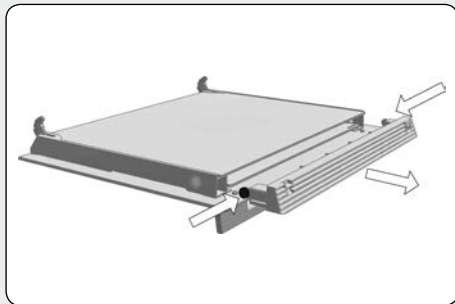


FIG. / AFB. 31

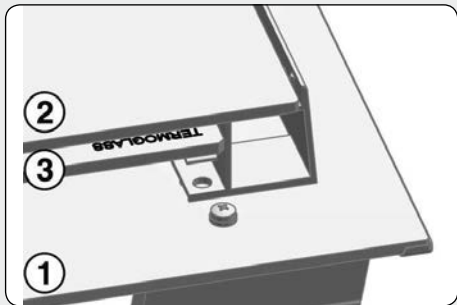


FIG. / AFB. 32

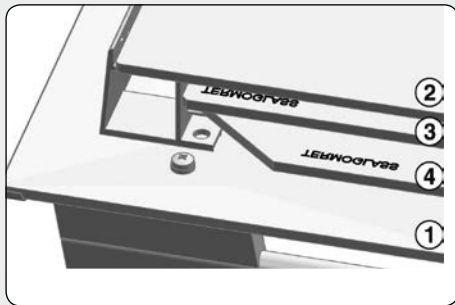
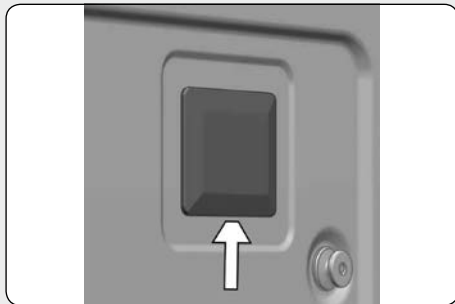


FIG. / AFB. 33



FIG. / AFB. 34





Nuestra aportación a la protección del medio ambiente: utilizamos papel reciclado.
A nossa contribuição para a proteção do ambiente: utilizamos papel reciclado.
Our contribution to environmental protection: we use recycled paper.
Notre contribution à la protection de l'environnement: nous utilisons du papier recyclé.
Unser Beitrag zum Umweltschutz: Wir verwenden umweltfreundliches Papier.
Onze bijdrage aan de bescherming van het milieu: wij gebruiken
il nostro contributo alla protezione dell'ambiente: usiamo carta riciclata.
N.º: 3371009-01