

Congratulations on the purchase of your [Porter&Charles](#) appliance.

We are sure it will provide many years of great cooking experience.

You may find that it has different features and characteristics to your last appliance.

It is essential you read this operation manual thoroughly to fully understand all of the various functions and operations. Experiment with your cooking and take advantage of the features your new appliance offers.

This manual should be retained for future reference. Should ownership of the appliance be transferred, please ensure that the manual is also passed onto the new owner.

Contents

A -	Installation check and warnings	Page 3 - 7
B -	Range Measurements	Page 8 - 11
C -	Electrical Requirements	Page 12
D-	Using the appliance for the first time	Page 13 - 14
E-	Accessories	Page 14- 15
F-	Electronic Programmer Operation	Page 16 - 18
G-	Gas Cooktop Control Panel	Page 19
H-	Gas Cooktop Control Functions	Page 20
I-	Ceramic Cooktop Control Panel	Page 21 - 22
L-	Ceramic Cooktop Functions	Page 23
M-	Oven Functions & Control Panel	Page 24 - 30
N-	Cleaning and maintenance	Page 31 - 35
P-	Trouble shooting guide	Page 35
	Wiring diagram	Page 36-41
Q-	Warranty	Page 42

A - Installation instructions check and warnings



WARNING

This appliance is not intended for use by persons (including children) with reduced physical, sensory or mental capabilities, or lack of experience and knowledge, unless they have been given supervision or instruction concerning use of the appliance by a person responsible for their safety.

Children should be supervised to ensure that they do not play with the appliance.



WARNING

During use the appliance becomes hot. Care should be taken to avoid touching heating elements inside the oven.



IMPORTANT:

Please ensure that the cut out measurement, venting and wiring is as specified in the relevant section B of this manual.

A licensed electrician with relevant qualifications must perform electrical work when installing or servicing the appliance. The supply cable and fuse rating must be suitable for the appliance. You must never repair or replace any part of the appliance unless specifically recommended in the operation manual.

Ventilation opening must not be covered or obstructed in any way.

VENTILATION

The room containing this range should have an air supply in accordance with local regulations.

- All rooms require an open window, or equivalent and some rooms will require a permanent vent also.
- For room areas up to 5m² an air vent of 100cm² is required.
- For room areas between 5m² and 100cm² an air vent of 50cm² is required.
- If the room is greater than 5m² and has a door that opens directly to the outside, then no air vent is required.
- If there are other fuel burning appliances in the same room, check your local regulations to determine the air vent requirements.

DISCHARGE OF FUEL GASES

Cooking appliances must always discharge the flue gases into special hoods (fig.1-C), which must be connected to chimneys, flue pipes or have direct access to the outside. If it is not possible to connect a hood, an electric fan can be fitted to a window or a wall (fig.1-E), which must be turned on when the cooker is on, as long as ventilation standards are strictly adhered to.

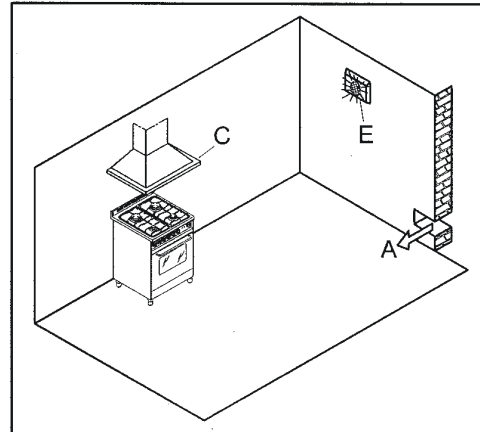


Fig.1

RECOMMENDED VENTILATION HEIGHT

- for ceramic cooktop model min. 60cm (24") above range
- for gas cooktop model min. 76cm (30") above range

When ranges are installed in close proximity to vinyl finish cabinets, those materials should be able to withstand temperatures up to 75°C. Alternatively, heat insulating barriers should be installed to avoid any deterioration to the finish.

The equipment must not be installed near inflammable materials, such as curtains, cloths, etc.

Pay particular attention to the position of the electric cable and gas pipe: they must not touch any hot parts of the oven.

The manufacturer will not accept responsibility for damages to cabinetry where manufacturer's installation guidelines were not adhered to.

CONVERTING TO LPG

Burners: auxiliary, semi-rapid, rapid, wok burner.

These burners are all fitted with injectors designed to create a primary input of air gauged for each type of gas.

Proceed as follows in order to convert from one type of gas to another:

- remove the grids, covers, flame diffuser and the burner supports (fig. 7);
- replace the injectors as indicated in 7/C according to the type of gas used (see table 1);
- put the burner supports, flame diffusers, covers and grids back in position;
- regulate the minimum output following the instructions in paragraph 1.7.

NOTE: Regulator needs to be set for the gas being used.

Table 1

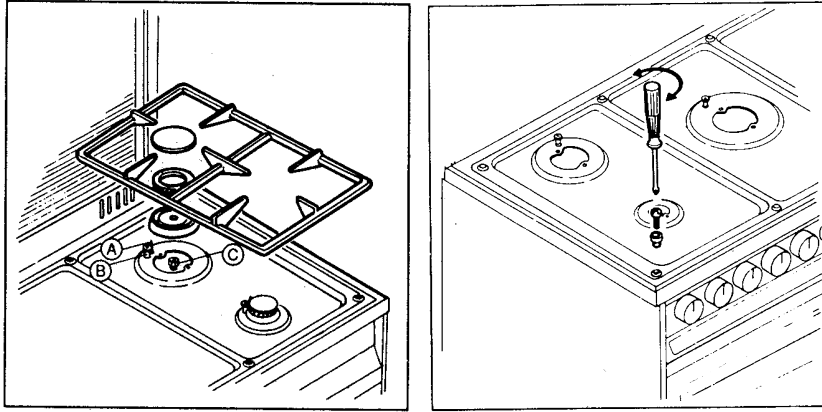


Fig.7

7/C

REGULATING THE MINIMUM OUTPUT OF THE COOKTOP BURNERS

Normal/valve taps:

Ignite the burners and turn the knob to the minimum position. Remove the knob and insert a small flat-head screwdriver into the rod or through the holes on the side of the control panel, in accordance with the type (fig. 8 A/B). Adjust the screw until the flame is lowered but stable, even when rapid changes are made from the maximum to the minimum position with the burner cold. If safety taps are fitted, let the burner run on minimum for a few minutes to ensure that the device does not cut in. If it does, increase the minimum.

N.B. For liquid gas settings, the burner minimum must be set by fully tightening the tap by-passes.

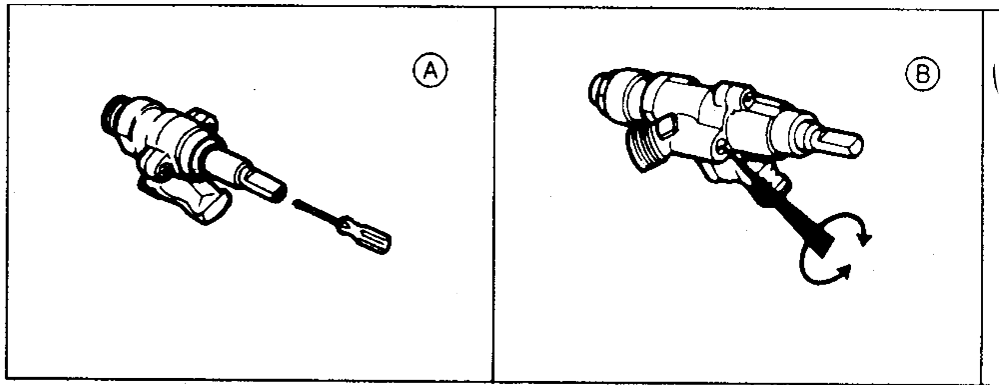


Fig.8

**WARNINGS:**

- Using a gas cooktop produces heat and humidity in the room where it is installed. Ensure the room is well ventilated by keeping all the natural air vents open or by installing an extraction hood with flue pipe.
- Intensive or extensive use of the range may require supplementary ventilation e.g. opening a window, or more efficient ventilation e.g. increasing the capacity of the mechanical ventilation, if installed.
- If the burner flames accidentally go out due to excessive airflow, turn off the KNOB and wait for at least one minute before igniting.



N.B. When the burners are alight, there must not be any draughts inside the room in that they may affect the flame or even blow it out.

INSTALLATION INSTRUCTIONS

DO NOT LIFT RANGE BY THE FRONT DOOR HANDLE AS THIS WILL DAMAGE THE UNIT.

The operations indicated below must be followed by a qualified technician, in compliance with local regulations.

The supplier refuses all responsibility for damages to person or property, resulting from the failure to comply with such provisions.

All units are 208/240Volt power and 60Hz.

The appliance is designed to be used near heat resistant pieces of furniture or kitchen cabinetry only.

**ATTENTION**

Disregard of this precaution could cause the incorrect operation of the touch control system of the cooktop and affect the product warranty provisions.

**WARNING:**

All aspects of the installation must conform to North American wiring standards, as well as your local electrical and building codes and regulations, and any other applicable requirements and conditions of your local power supply authority. Your appliance must be properly installed and grounded by a qualified and licensed technician.

208/240Volt 60 Hz 30Amp/40Amp service

Incorrect installation of the appliance, resulting from the installer not following the detailed installation specifications, can affect the performance of the appliance.

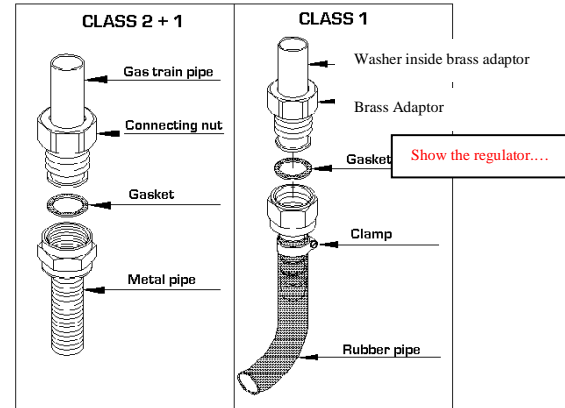
CONNECTION TO THE GAS SUPPLY: CURRENT INSTALLATION STANDARDS

The range should be connected according to local regulations, using either a rigid or flexible connections.

- a) For building in: Use a continuous flexible stainless steel pipe, as per current installation standards, which can be extended to a maximum of 2000mm.; the ends of the pipe must be fitted with an ISO 228/1 coupling and gasket or an ISO 7/1 threaded coupling with mechanical gasket.
- b) For free standing: A non-metallic flexible pipe can be used as long as it complies with current standards and the following installation instructions are observed: the pipe must be longer than 400mm and shorter than 1500mm; it must not exceed 50°C at any point; it is not pulled or twisted; it cannot be choked and the entire edges, sharp corners or other similar hazards.

Before connecting the non-metallic flexible pipe, the brass adaptor and gasket supplied with the range and/or available from the reseller must be fitted to the pipe/gas train on the back of the range. **The regulator provided should be positioned between the brass adaptor and the non metallic flexible pipe.**

- c) A certified gas plumber must complete the installation and meet with local regulation requirements for gas connections. Where the unit has an armour cable a certified electrician must complete the electrical connection. The white, or neutral wire will not be used and must be capped using a marrette.



WARNINGS:

In order to prevent tipping of the appliance, the safety chain must be attached to a hook secured to the wall.

(PLEASE NOTE: The fixing hook is not provided as the type will depend on the construction of the wall to which it will be drilled and fitted. The installer should provide the fixing hook per customer request).

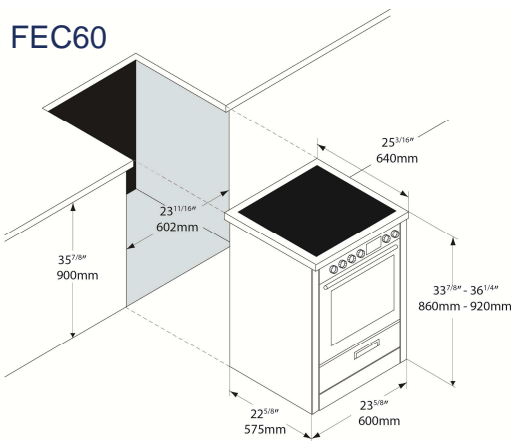


B - Range Measurements

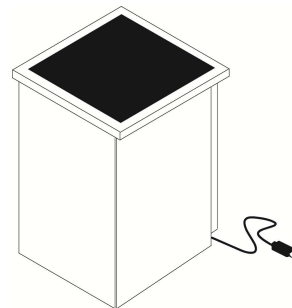
Measurements

Please note that all dimensions provided are in millimeters (mm) and inches. The sizes allow for only a small degree of error so all cut-outs must be precise and square.

If the range is placed on a base, measures have to taken to prevent the appliance slipping from the base.



Rear View



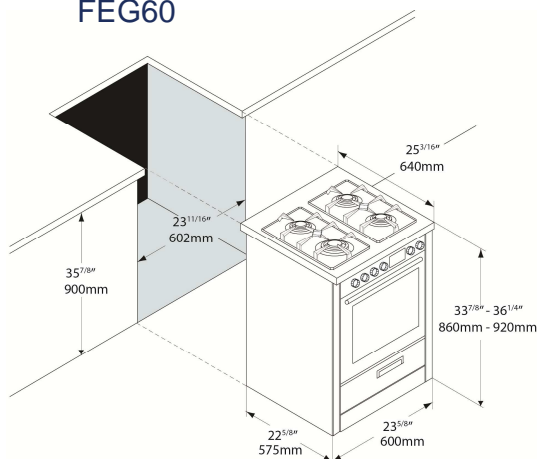
RANGE DIMENSIONS

- D: 25 ^{3/16} " • W: 23 ^{5/8} " • H: 33 ^{7/8} " - 36 ^{1/4} "
- D: 640 mm • W: 600 mm • W: 860 mm – 920 mm

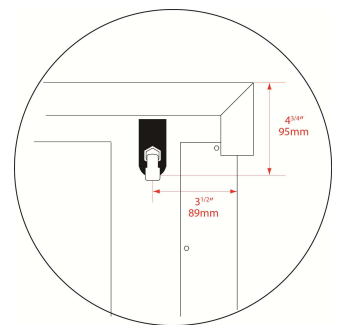
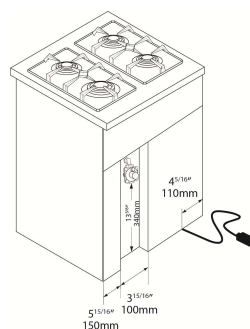
ELECTRICAL REQUIREMENTS

- 208/240 Volt, 60Hz, 40AMP
- P&C ranges are supplied with a 5' long electrical.

FEG60



Rear View



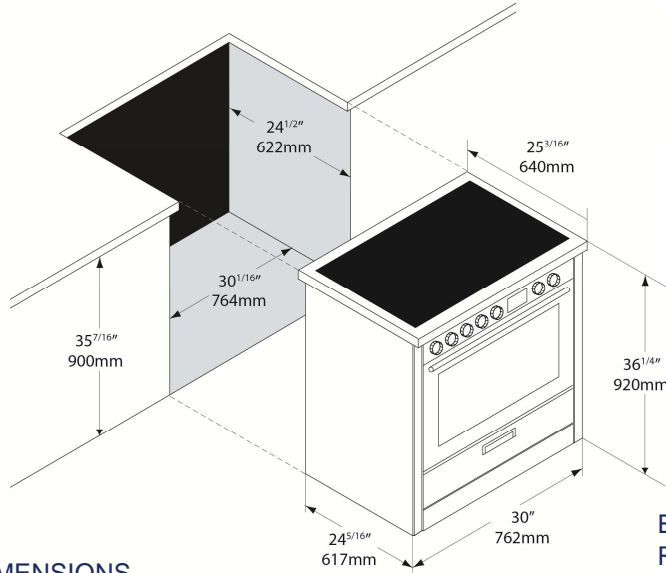
RANGE DIMENSIONS

- D: 25 ^{3/16} " • W: 23 ^{5/8} " • H: 33 ^{7/8} " - 36 ^{1/4} "
- D: 640 mm • W: 600 mm • W: 860 mm – 920 mm

ELECTRICAL REQUIREMENTS

- 208/240 Volt, 60Hz, 40AMP
- P&C ranges are supplied with a 5' long electrical.

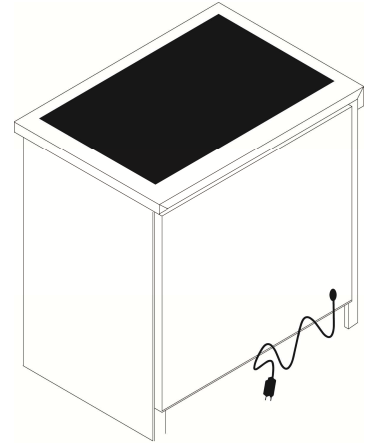
FEC76



RANGE DIMENSIONS

- D: 25 ³/₁₆" • W: 30" • H: 36 ¹/₄"
- D: 640 mm • W: 762 mm • W: 920 mm

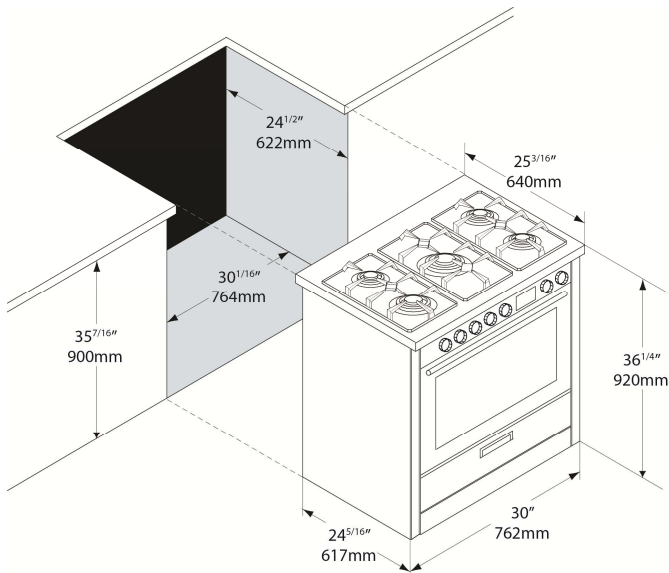
Rear View



ELECTRICAL REQUIREMENTS

- 208/240 Volt, 60Hz, 40AMP
- P&C ranges are supplied with a 5' long electrical.

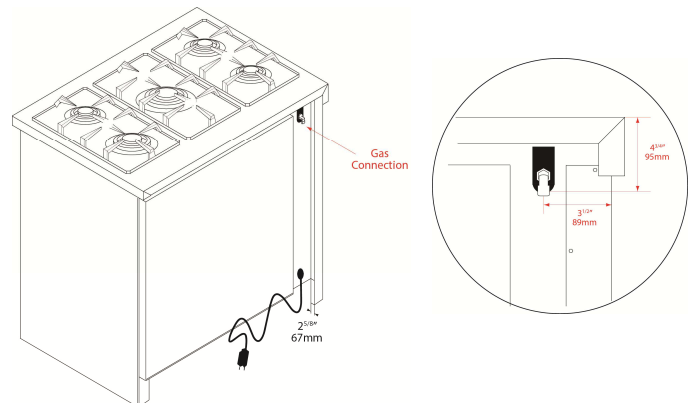
FEG76



RANGE DIMENSIONS

- D: 25 ³/₁₆" • W: 30" • H: 36 ¹/₄"
- D: 640 mm • W: 762 mm • W: 920 mm

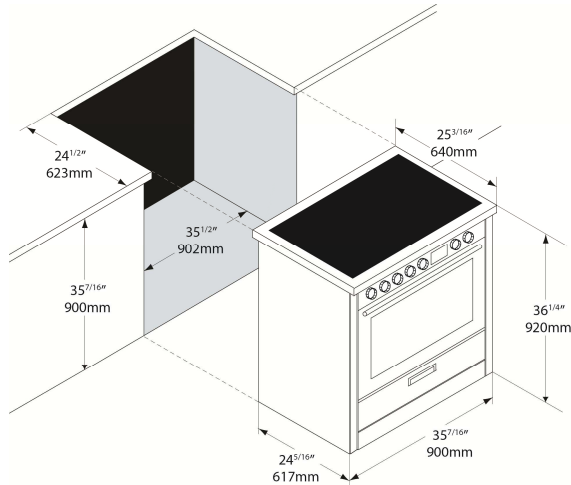
Rear View



ELECTRICAL REQUIREMENTS

- 208/240 Volt, 60Hz, 40AMP
- P&C ranges are supplied with a 5' long electrical.

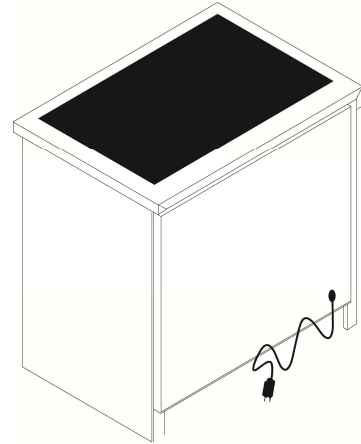
FEC90



RANGE DIMENSIONS

- D: 25 ^{3/16}" • W: 35 ^{7/16}" • H: 36 ^{1/4}"
- D: 640 mm • W: 900 mm • W: 920 mm

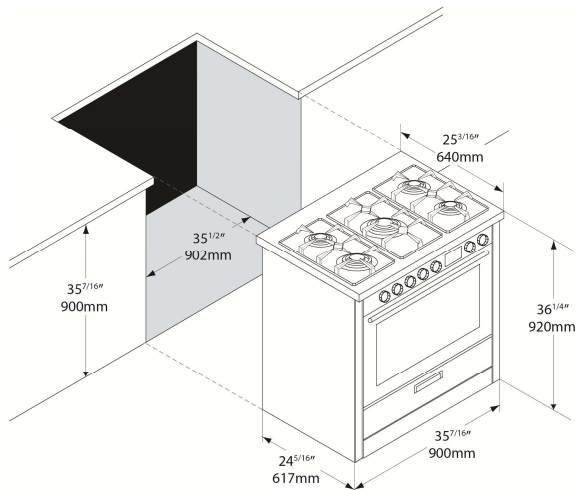
Rear View



ELECTRICAL REQUIREMENTS

- 208/240 Volt, 60Hz, 40AMP
- P&C ranges are supplied with a 5' long electrical.

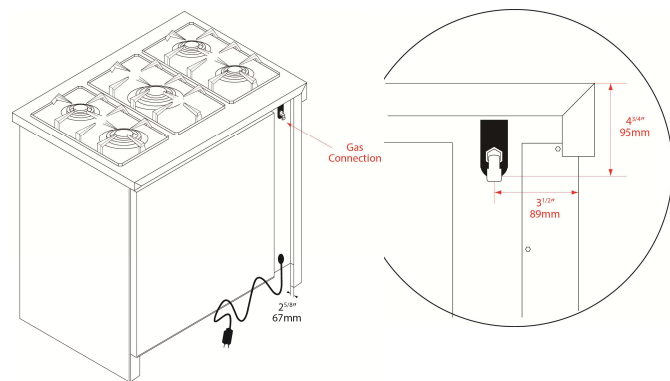
FEG90



RANGE DIMENSIONS

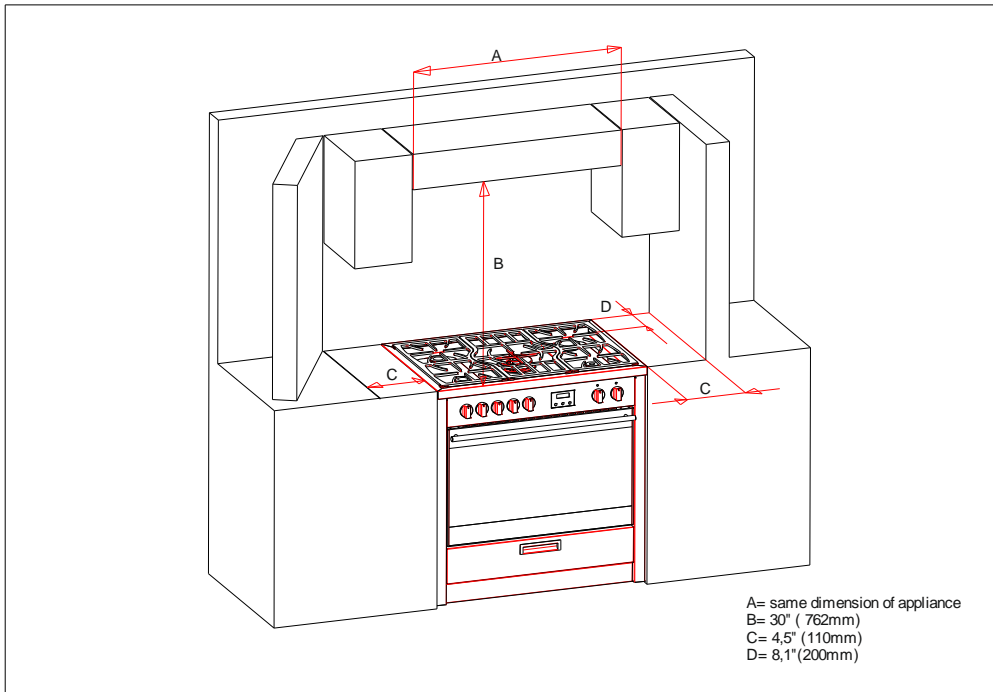
- D: 25 ^{3/16}" • W: 35 ^{7/16}" • H: 36 ^{1/4}"
- D: 640 mm • W: 900 mm • W: 920 mm

Rear View



ELECTRICAL REQUIREMENTS

- 208/240 Volt, 60Hz, 40AMP
- P&C ranges are supplied with a 5' long electrical.



C – Electrical requirements



WARNING:

All aspects of the installation must conform to the requirements of the standard North American wiring rules, as well as your local electrical and building codes and regulations,

and any other applicable requirements and conditions of your local power supply authority. A licensed electrician must perform the electrical work when installing this appliance. The supply cable and fuse rating must be suitable for the appliance. The range is supplied with a 40AMP corded plug.

240Volt 60Hz 40AMP (range with ceramic cooktop)
240Volt 60Hz 30AMP (range with gas cooktop)

Note:

To the electrician – please ensure sufficient supply cable is provided to allow the appliance to be removed from the cavity should any servicing be necessary. This will also allow easy connection of the supply.

Voltage supply connection, if unit not supplied with power cord

To connect the electrical supply:

- 1- This appliance must be installed individually on a separate and distinct final sub-circuit.
- 2- Ensure the supply cable and fuse rating are suitable for the appliance (see the electrical loading).
- 3- Remove the cover plate by undoing the screw.
- 4- Fit a suitable entry bush to the conduit entry on the rear left of the appliance (with the rear toward you) and feed the fixed wiring through.
- 5- Connect the wiring to the terminal block using the screw connections provided. Ensure the wires are properly secured to prevent any high resistance electrical connection.
- 6- Replace the cover plate making certain that the supply wiring is clear of any metal work and the screws.
- 7- If the supply cord is damaged, it must be replaced by the manufacturer, its service agent or similarly qualified persons in order to avoid hazard

When connected to a sub circuit, protected by a circuit breaker, it is recommended the circuit breaker be the same as the total rating of the appliance.

To fully disconnect the power supply, it is necessary to have a proper mean in the fixed wiring in accordance with the wiring rules. It must have full disconnection under overvoltage category III conditions.

If you wish a direct connection to the line, it is necessary to use a double pole switch, with a minimum opening between the contacts of 3mm. suitable for the purpose and in compliance with local regulations (the green ground cable should not be interrupted by the switch).

D – Using the appliance for the first time

After installation remove all notification labels (not identification or warning labels) and packaging materials. After cleaning make sure cleaned surfaces are thoroughly rinsed and wiped dry using a clean, soft cloth.

Power on



NOTE: Oven will not operate unless the clock is set.

When power is first applied the display will flash and shows 00:00.
The time of day is displayed in digital 24 hour format (e.g.: 18:00 is 6:00 pm).

Burning in

Before cooking in the appliance an initial pre-heating is required to burn off the fine oil film used to protect the elements for shipping. Select a cooking mode and set the oven temperature to 180°C. With the oven door closed, leave for approximately 5 minutes.

Repeat the above step for each cooking mode.
After completing the above make sure all controls are turned off. The oven is now ready for cooking and grilling.

DO NOT use aluminum foil on the base of ovens

The use of foil on the base of the oven to avoid spillage and improve cleaning is not recommended. The bottom element is concealed under the base of the oven liner (not exposed). Foil or dishes with reflective qualities must never be placed on the base of the oven during cooking as the concentration of direct and reflected heat will damage the enamel surface.



WARNING

Damage resulting from such use **is not covered under the provisions of the warranty.**

Initial heat up

Some smoke and smell may be noticed during the initial heat up cycle. This is normal and should quickly dissipate. If abnormal levels of smoke occur during use (i.e.: it is not food that is burning), have the appliance thoroughly checked.

Don't use the appliance as a space heater

The appliance must never be used for warming or heating the surrounding room. Combustible materials must never be placed on or near the appliance.

Do not leave children alone

Children must not be left unsupervised in the area where the appliance is in use. Children must never be allowed to sit or stand on any part of the appliance.

Wear proper apparel when using the appliance

Loose fitting, hanging or highly flammable garments (such as synthetics) should never be worn while using the appliance.

Use only dry pot holders

Moist or damp pot holders on hot surfaces may result in burns from steam. Do not allow pot holder to touch hot heating elements. Do not use a towel or bulky cloth when handling hot cooking utensils in the appliance.

Oven compartments must never be used for storage

Items, particularly flammable materials, must never be stored in an oven or near surface units.

Do not use water on grease fires

Fires or flame should be smothered using flameproof material or extinguished using a dry chemical or other suitable fire retardant.

All installation, adjustments, gas-conversion and maintenance operations must be carried out by a qualified technician, in accordance with the enclosed instructions and current installation standards. The manufacturer accepts no liability for faulty installation, setting, handling and use of the range.

Periodically check that there are no gas leaks in the pipe that connects the range to the gas receptacle or the supply line; replace it upon expiry.

When the cooker is not in use, ensure that all the knobs are in the off position; furthermore, if it is unused for a period of time, shut off the gas receptacle valve and the supply valve, as well as the appliance's mains electricity supply.

Keep the burners, covers and flame diffusers clean in order to ensure optimum operation

E - Accessories

Your appliance should come equipped with the following items.

- 1 x pair of Retractable Slide Runners(only for model 76/90cm.) which can be fitted to multiple positions as required
- 1 x Deep Enameled Roasting Pan with dual height reversible Grill Rack insert – ready for sliding into side rack positions or fitting onto Retractable Slide Runners
- 2 x Wire Oven Shelves that can be fitted into Retractable Slide Runners or for sliding into side rack positions
- **Note:** For models 76/90cm. Additional Retractable Slide Runners are available as an optional extra and can be fitted at any time
- **Note:** Additional oven shelves and pans are available as optional extras.

The oven shelf support consists of 5/6 positions. Always remember to position the racks before warming up the oven, and remove all the shelves and roasting pan before cleaning operations.

The slide runners can be positioned in any of the 6 rails

How to correctly place the oven shelves and roasting pan

Oven 76/90cm



Oven 60cm.



Oven 60/76cm.



Oven 90cm.



The retractable slide runners can operate on shelf positions 2 to 6. The wire shelves can be inserted at any shelf position, or on the retractable slide runner.

The roasting pan can be inserted on shelf positions 1, 2, 3, 4 and 5. It can be used with the retractable slide runners for shelf position 6, but cannot be used with the slide runners for shelf position 4.

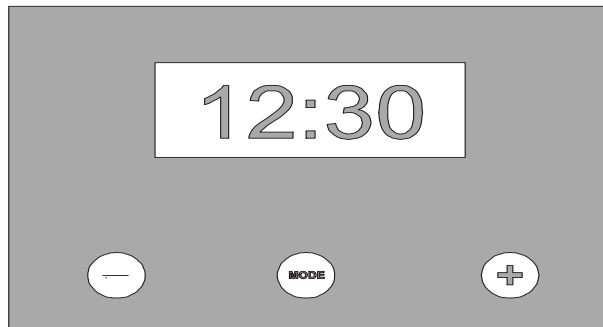
When inserting the wire shelf, the riser should be positioned upwards at the rear of the oven. The grooves at the sides of the shelves, toward the rear provide an anti-slide stability for the oven shelves when extended.

The retractable slide runners can be inserted on any shelf position by clipping or unclipping them between the upper and lower rail of each shelf position

F - Electronic Programmer Operation

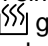
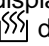
The 24 hour clock allows the setting of automatic cooking options up to 24 hours in advance.

- 1 - Minus Time Button
- 2 **Mode** (Countdown Timer with Alarm, Cooking duration, End Time)
- 3 + Plus Time Button



IMPORTANT – NOTE FOR NEW INSTALLATION AND FIRST OPERATION

Setting the time on the 24 hour clock

- 1- The clock will require setting when you first turn on the power (or following a power failure).
- 2- At power on, the relay contact is opened. The display and **AUTO** symbol flashes and time of day starts from 0:00.
- 3- Press PLUS and MINUS button simultaneously for minimum 3 seconds. The **AUTO** symbol goes out, **POT** symbol  goes on, and the **DOT** is flashing. With the PLUS button the time will advance slowly, and then speed up. If you over-shoot the desired time, use the MINUS button).
- 4- Press the MODE button twice to display the time of day. The oven will be in manual cooking mode, with **POT** symbol  displayed.
- 5- The oven is now ready for use and to accept the selected cooking functions.

Setting the Timer


- 6- The timer can be set for countdown up to 24 hours and for automatic cooking modes up to 10 hours and will countdown to zero. When zero is reached the alarm will sound.
- 7- To set the countdown timer
 - a. Press the MODE button for minimum 3 seconds.
 - b. The **BELL** symbol is flashing and the display shows 0:00.
 - c. Using the PLUS button advance the timer to the desired time.
- 8- Once the countdown timer is set, the normal time of day will return to the display within 7 seconds. If you wish to check how much time remains on the countdown, press the MODE button for 3 seconds. The remaining time will be displayed. After 7 seconds the normal time will return to the display.
- 9- A digital alarm will sound when time is reached. To silence the alarm press the MODE button for minimum 4 seconds.

Adjusting the tone of the electronic timer alarm.

THE TONE

There are 3 different tones from which you can select. To change the tone you press the “+” and “-“ simultaneously, then press the Mode button once, **ton** will be displayed. Pressing the “-“ button while **ton** is in the display, will change the tone to the desired setting, then press the mode button once. The electronic timer will store in its memory the last tone activated.

Manual cooking

Once the time of day is set the POT symbol  will be displayed. The oven is now in manual operation mode ready for you to select the desired cooking function and temperature.

Automatic cooking modes – Based on setting the duration “DUR”

- 1 Set cooking function and temperature to the desired position.
- 2 For example: If you wish to cook for 45 minutes, press the MODE button minimum for 4 seconds. Press the MODE button again. The AUTO symbol is flashing and the display shows “**dur**”. The display automatically switches over between “**dur**” display and 0:00. During this time you can set the duration time of 45 minutes by pressing the PLUS button (use MINUS button should you over-shoot the required time). Release and the display will return to the normal time of day after 7 seconds. The AUTO symbol will also appear indicating that you have set the automatic cooking function.
- 3 The oven will operate for 45 minutes only, turn off automatically and the alarm will sound. The AUTO symbol is flashing and the POT symbol will disappear. The alarm will turn off after pressing the MODE button. If you hold the MODE button down longer than 4 seconds the oven will return to the normal cooking mode.
- 4 If further cooking is required, either leave on manual or repeat the above setting sequence.

Note: If you have not turned the cooking function and temperature setting off, your oven will now continue to operate manually. The AUTO symbol will disappear and the POT symbol will reappear.

Automatic cooking modes – Based on setting a cook end time

- 1 Set the function and thermostat control to the desired position.
- 2 For example: If you would like the oven to turn off at 6.00pm, press the MODE button minimum for 4 seconds. Display shows 00:00 with BELL flashing. Press the MODE button two times again. The AUTO symbol is flashing and the display shows “End”. The display automatically switches over between “End” and time of day. During this time you can set the cooking stop time to 6.00pm, i.e.18:00 on the 24 hour clock, by pressing the PLUS button (use MINUS button should you over-shoot the required time). Release and the display will return to the normal time of day after 7 seconds. The AUTO symbol will also appear indicating that you have set the automatic cooking function.
- 3 The oven will continue to cook until 18:00 (6.00pm) and then switch off and the alarm will sound. The AUTO symbol is flashing and the POT symbol will disappear. The alarm will turn off after pressing the MODE button.
- 4 If you hold the MODE button pressed longer than 4 seconds the oven will return to the normal cooking mode.
- 5 If further cooking is required, either leave on manual or repeat the above setting sequence.

Note: If you have not turned the cooking function and temperature setting off, your oven will now continue to operate manually. The AUTO symbol will disappear and the POT symbol will reappear.

CANCELING AUTOMATIC SETTINGS

To cancel a program:

Press plus and minus button simultaneously for minimum 3 seconds.

Fully automatic – (Start Later – Stop Later)

Your oven may be programmed to start, cook for the desired time and turn off automatically. This function is particularly useful in the preparation of the evening meal, should you be out during the day, it will be ready on your return home. For example, if your cooking time is 45 minutes and you want the cooking to finish at 6.00 p.m.

- 1 Press the MODE button minimum for 4 seconds, display shows 00:00. Press the MODE button again, display shows DUR. Set the cooking duration time for say 45 minutes using the PLUS or MINUS button.
- 2 Press the MODE button again, display shows END. Set the stop cooking time to 6.00pm (18:00hrs). Release and the display will return to the normal time of day after 7 seconds. The AUTO symbol will be displayed.
- 3 Using the above settings, the oven is now programmed automatically to commence cooking 45 minutes prior to 6.00 pm (18:00hrs). The AUTO symbol and the POT symbol will be displayed. Then automatically turn off.

When cooking is complete the AUTO symbol is flashing and the POT symbol will disappear and the alarm will sound. The alarm will turn off after pressing the MODE button.

- 4 If you hold the MODE button longer than 4 seconds the oven will return to the normal cooking mode.



NOTE:

On oven start up or possibly at other times, due to electricity supply deviations – the set program may freeze on a function – if this occurs we recommend that, after checking other solutions without success, it is recommended that power supply be disconnected to the appliance and allow it to be in this position for 5 minutes before reconnecting. This may clear the frozen position allowing you to reset the clock/timer for normal operation.

Cooling Fan

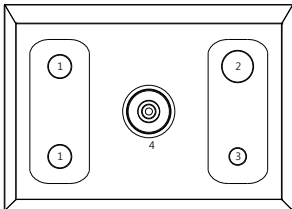
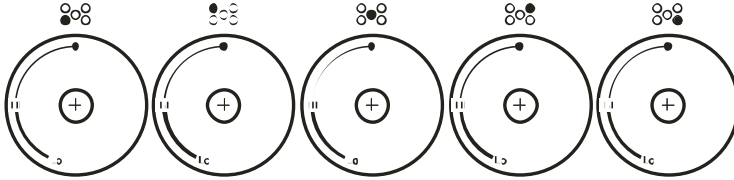
The oven is provided with a cooling fan motor to reduce the heat around the oven. The fan motor is controlled by a sensor, which will start when the oven is switched on and stop working when the temperature is reduced accordingly. This safeguards both the range and the adjoining cupboards from the possibility of temperature damage.

Safety Thermostat

Your range is fitted with an over-temperature sensor that will automatically shut down your oven for a period if it is deemed to be overheating- this sensor is fitted to the rear wall of the oven, inside the outer case – it will only activate in extreme circumstances and is provided as protection to the appliance and the adjoining furnishings. If activated it will shut down the appliance for a short time and will automatically reset allowing normal operation – you should consult your service technician if the problem re-occurs.

G - Gas Cooktop Control Panel

Gas cooktop 76/90cm.

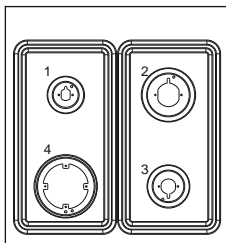
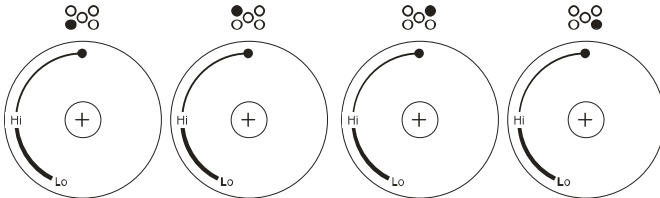


1= semirapid burner 2= rapid burner
3=auxiliary burner 4= wok burner

Technical Characteristic table

N°	BURNERS DESCRIPTION	GAS	NORMAL PRESSURE mbar	INJECTOR DIAMETER 1/100 mm	TAP BY PASS DIAMETER 1/100mm	NOMINAL HEAT INPUT MAX. (BTU/H)
2	RAPID	PROPANE NATURAL	28 10	90 155	46 REG.	11.300 11.500
3	AUXILIARY	PROPANE NATURAL	28 10	55 90	35 REG.	5.000 5.000
4	WOK	PROPANE NATURAL	28 10	115 200	65 REG.	17.500 15.600

Gas cooktop 60cm.



1= bruleur semirapid 2= bruleur rapid
3=bruleur auxiliary 4= bruleur wok

Details techniques

N°	DESCRIPTION	GAS	Pression normale mbar	INJECTEUR DIAMETER 1/100mm	ROBINET BY PASS DIAMETER 1/100mm	Puissance normale MAX. (BTU/H)
1	SEMI-RAPID	PROPANE NATURAL	28 10	72 118	35 REG.	8.000 8.000
2	RAPID	PROPANE NATURAL	28 10	90 155	46 REG.	11.300 11.500
3	AUXILIARY	PROPANE NATURAL	28 10	55 90	35 REG.	5.000 5.000
4	WOK	PROPANE NATURAL	28 10	115 200	65 REG.	17.500 15.600

H - Gas Cooktop Functions

Automatic start-up with valves

Turn the corresponding knob anticlockwise up to the maximum position and press the knob. Once the burner has been started up, keep the knob pressed for about 6 seconds.

Using the burners

In order to obtain the maximum yield without wasting gas, it is important that the diameter of the pot is suitable for the burner potential (see the following table and fig.1). This is to avoid the flame extremities being larger than the base of the pot. All of the operating positions must be chosen between the high and the low settings, never between the high position and the closing point. The gas supply can be interrupted by turning the knob clockwise up to the off position.

NOTE:

When the equipment is switched off, always check that the knobs are in the off position.

NOTE:

If there is no power supply, it is possible to light the burners with matches, setting the knob to the high setting.

NOTE:

If the flame should blow out accidentally, the safety valve will automatically stop the gas supply, after 20 - 30 seconds. To restore operation, turn the knob to the off position.

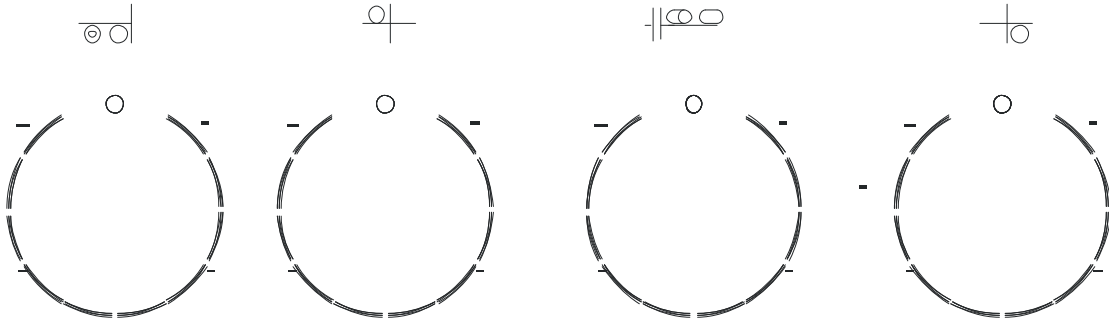


WARNING:

- Do not use sprays near the appliance in operation.
- Do not place unstable pots on the burner to prevent them from tipping or overflowing.
- Always turn gas off if moving a pot away from the appliance.
- While cooking with fat or oil, pay the utmost attention as these substances can catch fire when overheated.

I - Ceramic Cooktop Control Panel

Ceramic Cooktop Controls 60/76cm.



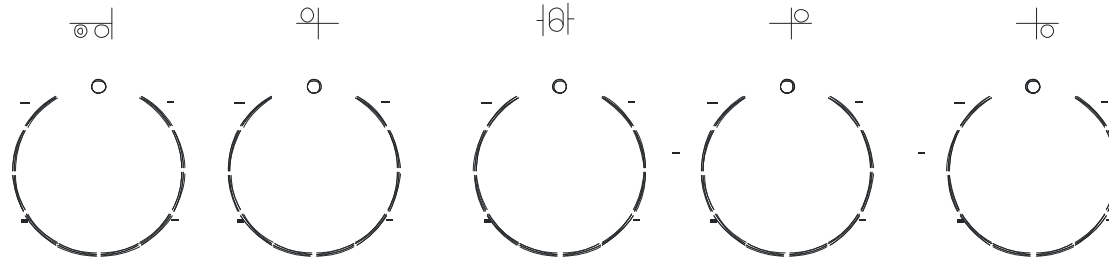
Switch controlling the left, front hot plate. Turning the knob clockwise activates the full hot plate.

Switch controlling the left, back hot plate.

Switch controlling the right, back hot plate. Turning the knob clockwise activates the full hot plate.

Switch controlling the right, front hot plate.

Ceramic Cooktop Controls 90cm.



Switch controlling the left, front hot plate.

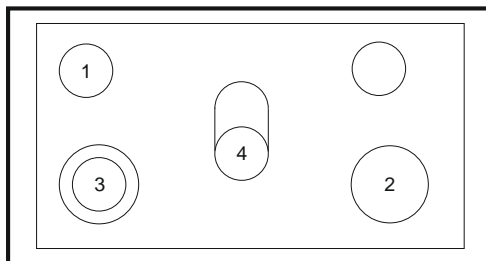
Switch controlling the left, back hot plate. Turning the knob clockwise activates the full hot plate.

Switch controlling the central hot plate. Turning the knob clockwise activates the full hot plate.

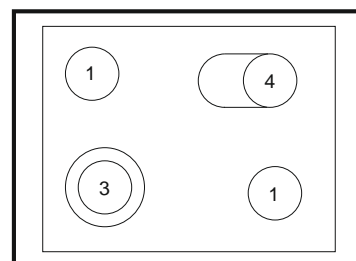
Switch controlling the right, back hot plate.

Switch controlling the right, front hot plate.

90cm. range



60/76cm. range



1. Hi-lite heating element	145mm	1200W	3. Hi-Lite heating element	12/2100mm	750/2200W
2. Hi-Lite heating element	180mm	1800W	4. Hi-Lite heating element	12/2100mm	1400/2200W

To operate Single (inner zone) and separate Dual (inner + outer zone) follow this procedure:

NOTE: On dual zone elements setting 12 has 2 positions.

Single Inner Zone - rotate control knob in clockwise direction selecting power from 1 through 12. The inner zone only will operate.

Inner + Outer Zone = Full Power - rotate control knob clockwise from 1 to 12 as above, then through position 2 - a click will sound (**do not Rotate control knob all the way to OFF position as this will damage the control switch and turn power OFF**). Then rotate control knob backwards (anticlockwise) selecting power level from 1 to 12 as before. This will activate both Inner and Outer zones concurrently for maximum power.

To **deactivate (turn off)** Inner Zone or Inner + Outer Zone the control knob must be returned to the OFF position.

Important Note:

DO NOT TURN CONTROL KNOB ANTICLOCKWISE FROM OFF POSITION AS THIS WILL DAMAGE THE CONTROL MECHANISM - OPERATE SINGLE AND DUAL ZONES STRICTLY ACCORDING TO THE INSTRUCTIONS AS ABOVE.

L - Ceramic Cooktop Functions



WARNING

If the surface is cracked, switch off the appliance to avoid the possibility of electric shock, for cooktop surfaces of ceramic glass or similar material which protect live parts.

During use the appliances become hot. Care should be taken to avoid touching heating elements of cooktops and inside the oven. Accessible parts may become hot during use. Young children should be kept away.

All operations relative to installation and electric connection should be carried out by a qualified technician in accordance with the instructions and with local regulations.

The specific instructions are described in the booklet section for the installer, Section A.

NOTE:

- Use only cookware with a sufficiently thick base, equal to or not much larger than the zone selected (fig.1)
- To avoid scratching the ceramic glass top, the cookware should not have a rough base
- Do not switch the electric zone on without the cookware over the zone.
- Do not cook any food directly on the hot area. Avoid overflows of liquid and should they occur clean away promptly.
- The appliance is not intended to be operated by means of external timer or separated remote-control system.
- Turn off the zone a few minutes before the required time, allowing the residual heat from the zone to finish the cooking.

The pilot light on the control panel is switched ON when at least one element is on. The residual heat indicator on the cooktop will light up when the temperature in any area is higher than 50 °C.

Cleaning

Remove heavy grease or spills carefully from the cooking surface with the ceramic glass scraper. Then clean the heating area thoroughly with a paper towel and ceramic cleaning products for the correct care of your appliance. Never use abrasive sponge or irritating chemical detergents such as oven spray or spot removers.

Regular cleaning can be achieved with a damp cloth. Dishwashing liquid and vinegar can also be used.

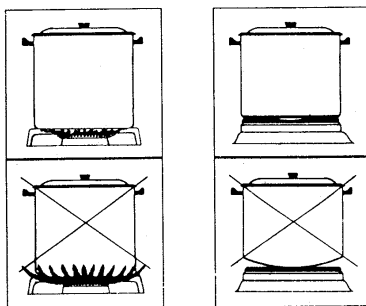
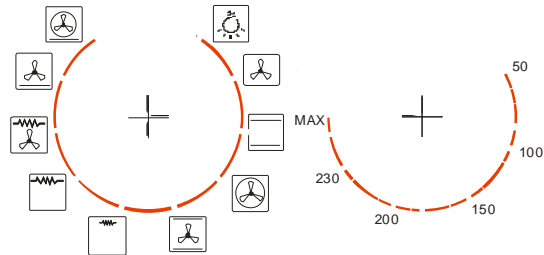


FIG-1

M - Oven Functions & Control Panel

Control Panel:



Warming drawer & continuous warm function of main oven 76cm. range



This switch is controlling the warming element in the bottom oven element (200 watt)

This switch is controlling the warming element in the drawer (200 watt)

Warming drawer 90cm. range



This switch is controlling the warming element in the drawer (200 watt)

The warming drawer and warming element of the main oven heats continuously until it reaches 75 Degrees C and this temperature will be maintained throughout the warming process as required



NOTE: The warming elements needs to be switched off manually

During use the appliances become hot. Care should be taken to avoid touching heating elements of cooktops and inside the oven. Accessible parts may become hot during use. Young children should be kept away.

Cooking modes and Instructions



NOTE: Cooking functions will vary from model to model – following is a description of the functions that are available and some or all of these functions will be included on the product you have purchased.

The following table summarizes the operating parameters of each cooking mode of the oven.

Oven function	Grill element	Top element	Bottom element	Fan element	Light	Fan motor
Light					X	
Defrost/ food warmer			X		X	X
Conventional		X	X		X	
Convection				X	X	X
Fan Assist		X	X		X	X
Half Grill	X				X	
Full Grill	X	X			X	
Fan Grill	X	X			X	X
High Bake			X		X	X
Pizza (Preheat)			X	X	X	X

PREHEATING

Preheating the oven is not essential, but you will achieve better results if you do. Some foods, particularly cakes and pastry, are better cooked in a preheated oven. Other foods, for example casseroles, cook just as well when cooked in a non-preheated oven but may need longer cooking times.

For faster preheating select Pizza Mode and the required temperature and once the oven has reached the required level change to the cooking mode/function for the task.

To preheat the oven:

- 1- Set the mode required for preheating.
- 2- Set the oven to the desired temperature.

Preheating guide (for 180°C settings)

Cooking Mode	Preheat Time
CONVENTIONAL OVEN	20-30 MINUTES
PIZZA MODE	15-20 MINUTES



NOTE:

Any food or other cooking utensils placed in the oven during preheating will affect the preheating time. The preheat time may also vary with installations.

**WARNING**

When using an alternative cooking mode for fast preheat, be sure to turn the cooking mode to your required setting before placing food in the oven.

HINT:

To allow for heat loss while placing food into the oven, preheat the oven 10-20°C higher and then reduce the temperature to your required cooking temperature.

Always preheat the oven when cooking multiple dishes at the same time.

Roasting guide. These cooking charts are intended as a guide only. Temperature, cooking mode and cooking times may vary to suit individual tastes.

Type of Meat Approx. 450 grams = 1lb	Cuts of Meat	Time per lb (allow)	Oven Temperature °C
Beef	Prime Rib, rolled sirloin bolar blade, Top Loin, New York Strip Sirloin	30 minutes per 1lb	180 ⁰ – 200 ⁰
		20 minutes per 1lb	180 ⁰ - 200 ⁰
Veal	Shoulder or leg (with bone or rolled)	20-25 minutes per 1lb	180 ⁰ - 200 ⁰
Lamb	Leg, shoulder (loin or rolled)	20-25 minutes per 1lb	180 ⁰ - 200 ⁰
Pork	Leg loin	45 minutes per 1lb	220 ⁰ -230 ⁰ / 180 ⁰ -200 ⁰

Pork leg should be cooked at a higher temperature for the first 15-25 minutes then reduced to lower temperature for remaining cooking time.

Type of Poultry	Size of Meat	Time per lb	Oven Temperature °C
Chicken	Whole or pieces	30 minutes per lb.	180 ⁰ - 200 ⁰
Duck	3lbs – 4.1lbs	30 minutes per lb. + 35 minutes extra	180 ⁰ - 200 ⁰
Turkey	5.4lbs – 21lbs	40-50 minutes per lb. + 35 minutes extra	180 ⁰ - 200 ⁰

Turkey should be well basted and turned during cooking

Type of Fish	Cuts of Fish	Time per lb	Oven Temperature °C
Fish	Whole or fillets	10 minutes per lb.	170-190 ⁰ C

In Conventional Oven mode, fish should be covered for the first ¼ of the cooking time to help retain moisture.

Baking guide. These cooking charts are intended as a guide only. Temperature and cooking times may vary to suit individual tastes.

Oven Temperature °C	General Times	Foods Suitable
130 ⁰ – under	Very slow	Small meringues, pavlova, custard, reheating
130 ⁰ - 150 ⁰	Slow	Rich fruit cake, light fruit cake
150 ⁰ - 180 ⁰	Moderate	Casseroles, deep butter cake

180 ⁰ - 200 ⁰	Moderately hot	Shallow butter cakes, sponges, biscuits, meat loaf, baked fish
200 ⁰ - 230 ⁰	Hot	Swiss roll, patty cakes, rock cakes, short crust pastry
230 ⁰ – and over	Very Hot	Scones, Choux pastry



DEFROST

All foods may be defrosted using the Fan Forced Convection mode. **It is important to note that this function activates the fan motor and the light only, but it is possible to adjust the temp between 40°C to 60°C after the program starts.**

As a general guide, the defrosting time for meat is approximately 15-20 minutes per lb.



CONVENTIONAL OVEN

In this traditional mode, oven heat is provided from the top and lower oven compartment and is most suitable when cooking on a single shelf. For best results, arrange the shelves so the top of the food is near the centre of the oven.

If cooking on more than one shelf, always preheat the oven and position the pans to allow as much free circulation of heat as possible.

Depending on the food, you may need to rearrange the tray position during cooking.

- 1- Adjust oven shelves to desired position/s.
- 2- Select Conventional Oven mode.
- 3- Set the oven to the desired temperature.
- 4- When cooking is complete turn the oven off.

HINT:

If water is used in your cooking (such as water placed in a baking dish) the water will evaporate in the oven in the form of steam. The level of condensation will be reduced when cooking in fan oven mode where excess moisture is circulated and evaporates during the cooking cycle.



NOTE: Stand clear of the oven when opening the door as steam may escape rapidly.



FAN ASSIST

This style of cooking provides traditional cooking heating from top and bottom elements with the assistance of a circulation fan to ensure fast even results. This mode is most suitable for delicate cooking such as cakes, pastries, gateaux, biscuits and yeast dough. Best results when thermostat is set to 150-180 degrees – depending on rec



FAN FORCED CONVECTION – most commonly used function

In this mode the oven fan circulates heat from behind the fan cover to give a more even temperature throughout the oven. The even heat provides similar cooking results for each portion of food. Although temperatures for cooking foods in this type of oven are generally the same as required by a conventional oven, when cooking foods that require lengthy cooking cycles a fan forced oven normally cooks more quickly, saving time and energy.

Always place the food as near to the centre of the oven as possible. If cooking on more than one level, arrange the pan positions to allow for free circulation of heat.

- 1- Adjust oven shelves to desired position/s.
- 2- Select FAN OVEN mode.
- 3- Set the oven to the desired temperature.
- 4- When the cooking is complete turn the oven off.

HINT:

Always preheat the oven when cooking on multiple shelves at the same time. Depending on the food, you may need to rearrange the tray positions during cooking.



HALF GRILL



FULL GRILL

This mode of cooking uses infrared heat from the top of the oven to cook foods to your requirements. Half grill engages only the inner band of the top element and is suitable for smaller volumes and consequently has a lower energy usage.

This method of grilling in the oven is recommended for short duration (5 minutes or less) grilling only, which is ideal for toasting (see note below). Foods with higher fat content or foods, which require more than 5 minutes grilling time, should be grilled using the FAN GRILL mode.

When in GRILL mode the oven door should be closed. If the door is not closed, over time discoloration to the control panel may occur.

- 1- Commence grilling from a **cold oven** whenever possible.
- 2- Place food on grill rack and pan supplied.
- 3- Position the shelf to your preference.
- 4- Select GRILL mode and, turn to your desired heat setting.
- 5- When cooking is complete turn the oven off.



NOTE:

The grill element is controlled by the oven thermostat. Once the temperature in the oven has reached the selected temperature the element will switch off, and then on again, when more heat is required.



NOTE: The temperature setting in FULL & HALF GRILL mode must not exceed 200°C.



FAN GRILL



NOTE: Door must be closed in Fan Grill Mode

Fan grilling is a combination of direct heat and circulated hot air which gives the appearance and flavor similar to rotisserie cooking which is ideal for single level roasts. Direct infrared heat from the grill element is circulated by the fan to cook the food, which should be positioned as near to the centre of the oven as possible.

For best cooking results, it is recommended that food be turned once only.

- 1- Oven door must be closed in Fan grill mode.
- 2- Place food on grill rack and pan supplied (ensure grill rack is inverted to the high position to allow best circulation of air) as close to the centre of the oven as possible.
- 3- Select FAN GRILL / Pr07 mode.
- 4- Set the oven to the desired temperature. (See note below and refer to FAN GRILL temperature guide).
- 5- When cooking is complete turn the oven off.



NOTE:

Large grill pans or roasting dishes can restrict the circulation of air in the oven. To prevent moisture condensing in the cooler lower sections of the oven, preheat the oven for approximately 10 minutes, using CONVENTIONAL OVEN or HIGH BAKE modes, prior to fan grilling.



NOTE: The temperature setting in FAN GRILL mode must not exceed 200°C.

Fan grill guide

These cooking charts are intended as a guide only. Temperatures and cooking times may vary to suit individual tastes.

Type of meat/poultry/fish	Oven Temperature °C	Approximate Cooking Time
Chicken – whole	175 ⁰ - 185 ⁰	30 minutes per lb
Pieces	185 ⁰ - 195 ⁰	15-20 minutes
Lamb - loin/rack	175 ⁰ - 185 ⁰	25 minutes per lb
Chops - medium/rare	175 ⁰ - 185 ⁰	10-12 minutes
Chops – medium	175 ⁰ - 185 ⁰	14-16 minutes
Beef- Steak – rare	175 ⁰ - 185 ⁰	6-8 minutes
Steak – medium	175 ⁰ - 185 ⁰	8-12 minutes
Steak – well done	175 ⁰ - 185 ⁰	12-15 minutes
Pork Chops – medium/rare	190 ⁰ - 200 ⁰	6-10 minutes
Chops - medium	175 ⁰ - 185 ⁰	10-12 minutes
Chops – well done	175 ⁰ - 185 ⁰	12-15 minutes
Sausages- thin	175 ⁰ - 185 ⁰	8-10 minutes
thick	175 ⁰ - 185 ⁰	12-14 minutes
Fish fillets	175 ⁰ - 185 ⁰	10-14 minutes
Sliced vegetables	180 ⁰ - 190 ⁰	20-30 minutes
Tomato halves	190 ⁰ - 200 ⁰	6-8 minutes
Crumb Based dishes	175 ⁰ - 185 ⁰	20-30 minutes
Pasta dishes	175 ⁰ - 185 ⁰	20-30 minutes



HIGH BAKE

The HIGH BAKE mode uses the oven fan to circulate air with heat from the lower oven element. Quick and consistent heat is evenly distributed throughout the oven.

The results are quick, not unlike a microwave oven. With the circulation of heat, foods cooked with high bake mode retain a crisp, dry texture on the outside especially pizza, pastry and other foods where you want the base to be well cooked. HIGH BAKE is also excellent for re-heating.

- 1- Adjust oven shelves to desired position/s.
- 2- Select HIGH BAKE mode.
- 3- Set the oven to the desired temperature.
- 4- When cooking is complete turn the oven off.



PIZZA

This function is excellent as the fastest setting to **preheat** the oven, engaging maximum power to heat the oven to a selected temperature before selecting an appropriate function and temperature for a task.

In this position the fan and the fan element, together with the bottom oven element, are engaged simultaneously. This is used for food that requires a concentration of cooking to the base, and allows the top to gently cook at the same time.

For best results for pizza and similar items we recommend this function.

N - Cleaning and Maintenance

1. Cleaning and maintenance

Proper cleaning and care of your appliance is essential to maintain its appearance and durability.



NOTE:

People with sensitivity to cleaning chemicals must take the necessary precautions. It is recommended that protective gloves be worn while cleaning the appliance. Routine cleaning of the appliance should only be performed when the appliance is at room temperature.

Do not use any acid or caustic cleaners, abrasive powders or scourers on the interior or exterior of the appliance. Substances or items with these properties may discolor or damage the finishes of your appliance. If any abrasive, acidic or caustic substance or cleaning agent should come into contact with the appliance, rinse off immediately with water, taking special care to avoid injury if surfaces are hot.

When using the appliance, it may be soiled by food spills and splatters or foreign items such as plastics accidentally coming into contact with warm or hot surfaces. Foods which contain acidic substances or sugar can discolor or damage enamel finishes.

The enamel interior of the oven is a hard durable finish which is resistant to wear and discoloration. However, to maintain the appearance and durability of the finish any spills must be wiped off as soon as it is safe to do so. Once cool, the affected area should be thoroughly cleaned and rinsed using non-abrasive, mild cleaning detergents and water.

2. Care for stainless steel

No metal is indestructible and certain procedures should be followed to maintain the finish and durability of stainless steel.

Never leave stainless steel items unwashed. The surface responds best to gentle cleaning methods, scouring materials and harsh abrasives should not be used. Frequent washing with water (preferably hot) is the recommended treatment, followed by rinsing with fresh clean water and wiping dry with a soft cloth or paper towel.

A little soap or detergent may be added to the washing water but too much can produce a cloudy film over the appliance. Use of steel wool is not recommended but stainless steel wool (a fine mesh pad) is an excellent cleaning aid. Oil or grease in the washing water can leave a rainbow film when it dries. It can easily be removed by simply using polishing and cleaning methods described previously. Thoroughly rinsing with clean water is the real secret and it is surprising how easily stainless steel can be kept sparkling clean by using the above simple method.

Never leave stainless steel to dry by itself.

3. Only place cookware on oven shelves.

Other surfaces such as trims are not totally resistant to hard materials or direct heat and may be permanently damaged by such use.

Recommended cleaners

Mild detergents and warm water together with a clean, soft, non-abrasive cloth achieve good results for normal cleaning. Diluted washes with ammonia and water should rinse away any adhesive residue or gummy deposits on the appliance surfaces. Eucalyptus oil (small amounts) is also good for removing adhesive residue. Alcohol based products (eg: methylated spirit, etc.) are not recommended. Brand name cream cleansers and concentrates, without abrasive qualities, can be used in small amounts to break down greasy deposits and dirt.

After cleaning make sure cleaned surfaces are thoroughly rinsed to prevent any risk of baked on cleaner residues and wipe dry with a clean, soft cloth.
Avoid contact with elements, rubber door seals and exterior surfaces.



NOTE:

When cleaning stainless steel surfaces [Porter&Charles](#) recommends 3M brand or Advance stainless steel cleaner. Other reputable brand cleaners specifically formulated for cleaning stainless steel may also be acceptable. Do not use steel soap pads or abrasive scourers of any kind. The abrasive qualities of these pads will ruin the even brushed finish of the stainless steel and any residual metal fibers may corrode causing a rusty/dull appearance. Metal polishes with abrasive qualities are also not recommended.



WARNING:

Do not use any acid or caustic cleansers or abrasive powders or scourers on the interior or exterior of the appliance.



Routine cleaning

Ensure all controls are in the off position and the appliance is cool before cleaning. When wiping stainless steel surfaces with a brushed finish, wipe in the same direction as the brushing.

To clean the oven interior, fully open or remove the door(s) for better access while cleaning. The shelves and shelf guides can be lifted out for cleaning by removing the relevant thumb screws. The shelves and shelf guides can be washed manually but are also dishwasher safe.

After cleaning make sure all surfaces are thoroughly rinsed and wiped dry with a clean, soft cloth.

Do not use harsh abrasive cleaners or sharp metal scrapers to clean the oven door glass since they can scratch the surface, which may result in shattering of the glass.



DO NOT USE A PORTABLE STEAM CLEANER TO CLEAN THE OVEN.

Self-Cleaning Panels

The range is equipped with 3 panels (sides and rear) to provide a catalytic cleaning process. The catalytic panels are attached to the sides of the oven by removing the rack guides assembly and placing the self cleaning panels against the oven side. The rear panel is attached with screws, ensure that the «rough» side is facing out.

These liners are «self-cleaning» during cooking. If residue remains on them after cooking, remove all shelves, pans and food items, and turn the cooking function selector to Conventional Oven (top and bottom element), and the temperature setting to MAX. 15-20 minutes should be adequate to clean the panels using this method.

How the Self-Cleaning panels work.

The self-cleaning oven panels go through a special enamelling process which ultimately creates a rough surface (this is the side which should face outwards in the oven). Because of the structure of the surface, it is extremely porous and attracts oxygen. When splashes of grease hit this surface it immediately spreads. In this way, immediate oxidization of the grease occurs, and it ultimately disappears while the oven is in general use at standard cooking temperatures. The self-cleaning panels are located on the sides and on the rear of the oven, and are designed to cope with fatty stains very efficiently.

For stains on the bottom of the oven, the usual causes are sugar or starch overflows. The base of the oven should be cleaned by using soapy water (see procedure to page 15-16) on a soft clean and newspaper

BEWARE: Never use silicone films (polish or cleaners) on self-cleaning panels - they will be rendered useless.

Similarly, **NEVER** try to wash with detergent, or use abrasive cleaners on the panels.

Removing Oven Door

To remove the oven door

The oven door can be easily removed for better access while cleaning. To remove the oven door:

1. Open the door fully and fit the supplied pin in the hole on both hinges.
2. Raise the door slightly, holding the sides of the door about half way up. **Make sure the pin stays in the hole the entire time.** Lift the door gently. This should disconnect the hinges from the oven frame.
3. Remove the door by continuing to raise it while pulling the door away from the oven. When handling the door be careful not to dislodge the pin from the hole. If the pin does dislodge, the hinge will have to be closed by hand and the pin re-fitted onto the hole before re-fitting into the oven.

To re-fit the oven door:

1. Holding the door at an angle to the oven, slide the hinges into the oven frame, making sure that on each side the top curved arm fits into the top slot and the lower arm fits into the bottom slot.
2. Make sure the hinges are pushed as far as they will go and the lower arm engages into the plate mounted in the oven frame.
3. Open the door fully and ensure the pin fully disengages from the hole. The door can now be opened and closed as normal.

NOTE: Apply gentle downward pressure on the door to help remove the pins.



Removable Kick Plate

To clean the floor under the range is completed by removing the kick plate. The kick plate is provided with two clips that easily fit on to the legs. You can gain access to the kick plate by extending the warming drawer and reaching under it to gently pull the kick plate forward to release the clips. Refit the kick plate after the cleaning operation by pressing the clips over the legs of the range.



Changing the light bulb 76/90cm. range

The light bulb is located behind the glass cover and is a push-in type.

WARNING:

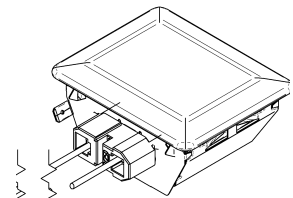
ENSURE THE APPLIANCE IS SWITCHED OFF BEFORE REPLACING THE LAMP TO AVOID THE POSSIBILITY OF ELECTRIC SHOCK

To change a light bulb 76/90 cm. range

- 1- Gently lever out the glass cover.
- 2- Lift the bulb upwards out of holder.
- 3- Push in a replacement bulb.
- 4- Replace the glass cover making sure it fits correctly into place.



NOTE: Recommended globe: Halogen 40W / 230V / 300°C.

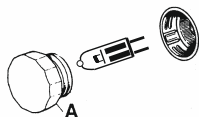


To change a light globe

- 1- Gently remove the glass cover
- 2- Pull the light globe and push in a replacement globe
- 3- Replace the glass cover making sure it fits correctly into place



NOTE: Recommended globe: Halogen 40W / 230V / 300°C.



Drop Down Grilling Element

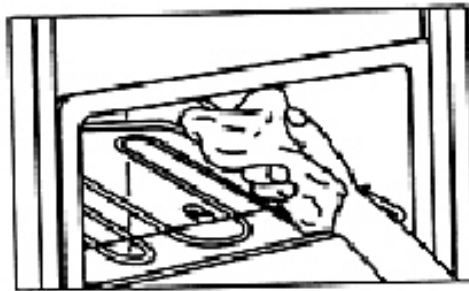
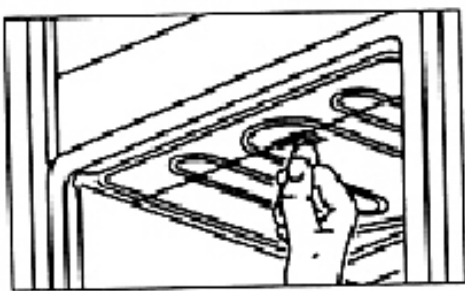
The removal of a single screw at the front of the upper grill element allows the grill to drop down to facilitate the cleaning of the oven ceiling. On completion of cleaning, simply replace the grill element and secure with the screw.

To avoid smoking, use a clean, damp cloth to regularly clean oil and fat splatters from the exposed drop down grilling element.

The fan cover can be lifted out for cleaning separately by removing the retaining screws. The fan blade can also be removed for cleaning if necessary.



NOTE: The fan blade nut has a left-handed thread.

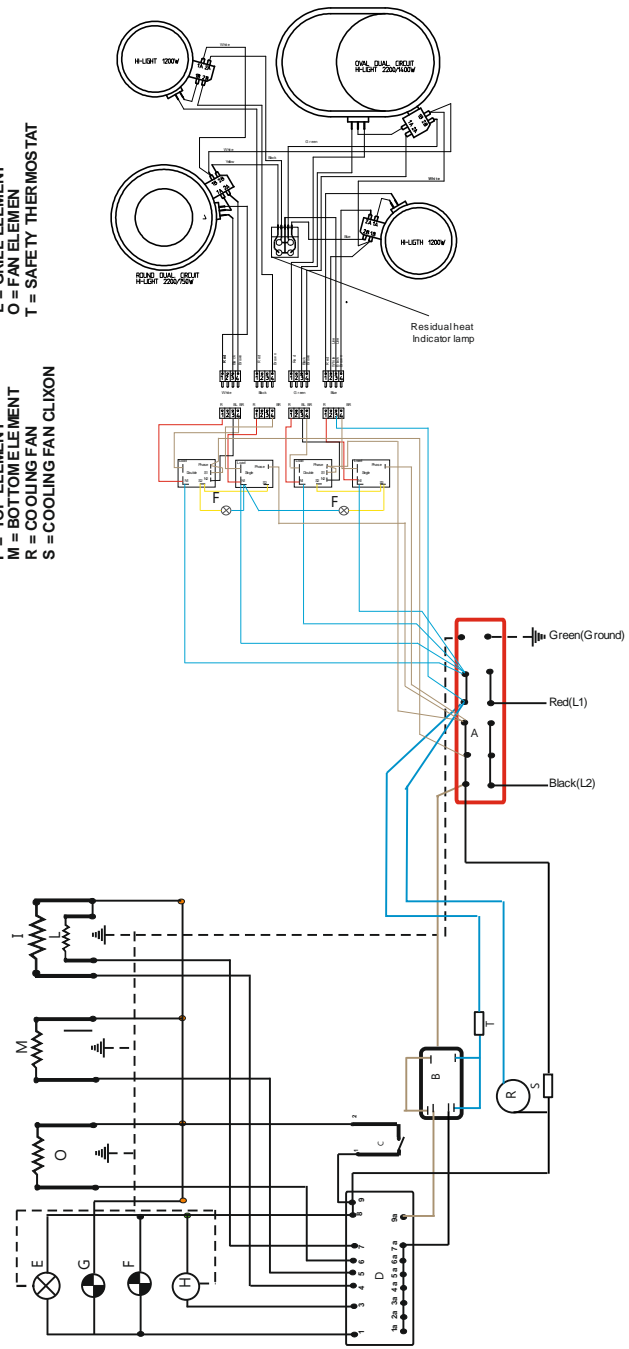


P - Trouble Shooting Guide

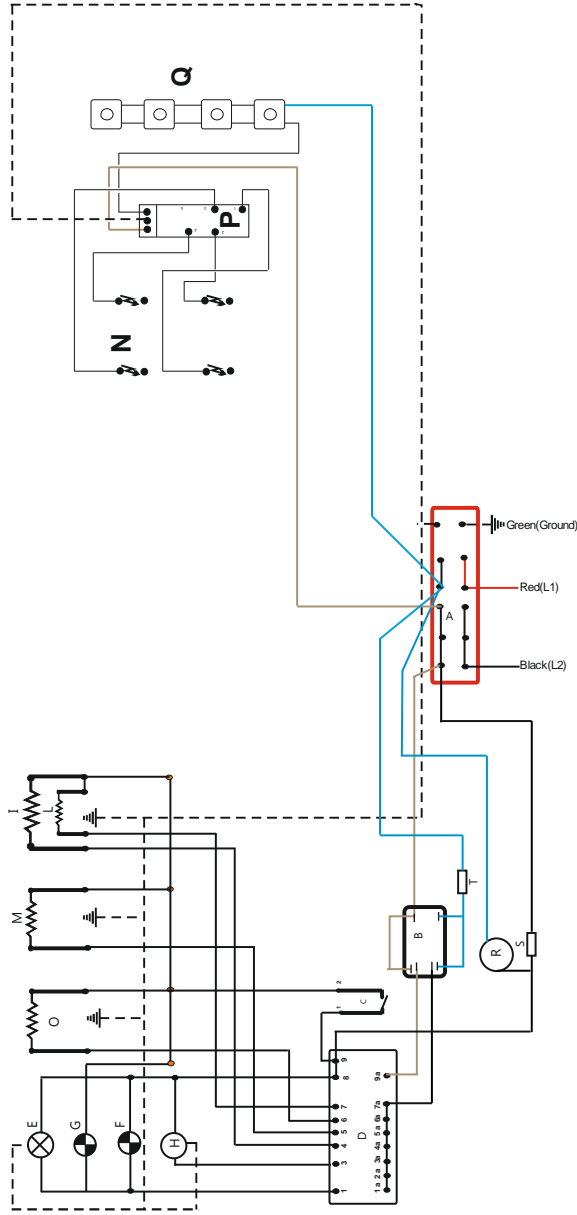
Symptom	Remedy
No power supplied to appliance	Has the power been disconnected? Check the meter box. Has the main fuse or circuit breaker blown or tripped?
Oven power is on but appliance does not operate	Oven may be set on AUTO (see auto programmed cooking). Ensure clock is set.
Oven power is on but there is no heat	Oven may be set on AUTO Oven temperature may be set to OFF Mode may be on incorrect selection
Display is flashing, is only part illuminated or is cycling through various displays.	Turn power supply to appliance off, wait 5 minutes and turn power on. Set clock.

ELECTRICAL WIRING DIAGRAM FREE STANDING COOKER 60 CM. CERAMIC COOKTOP

- A = TERMINAL BLOCK
 C = OVEN THERMOSTAT
 E = OVEN LAMP
 G = YELLOW PILOT LAMP
 I = TOP ELEMENT
 M = BOTTOM ELEMENT
 O = COOLING FAN
 S = COOLING FAN CLIXON
- B = ELECTRONIC TIMER
 D = OVEN SWITCH
 F = RED PILOT LAMP
 H = FAN MOTOR
 L = GRILL ELEMENT
 O = FAN ELEMENT
 T = SAFETY THERMOSTAT

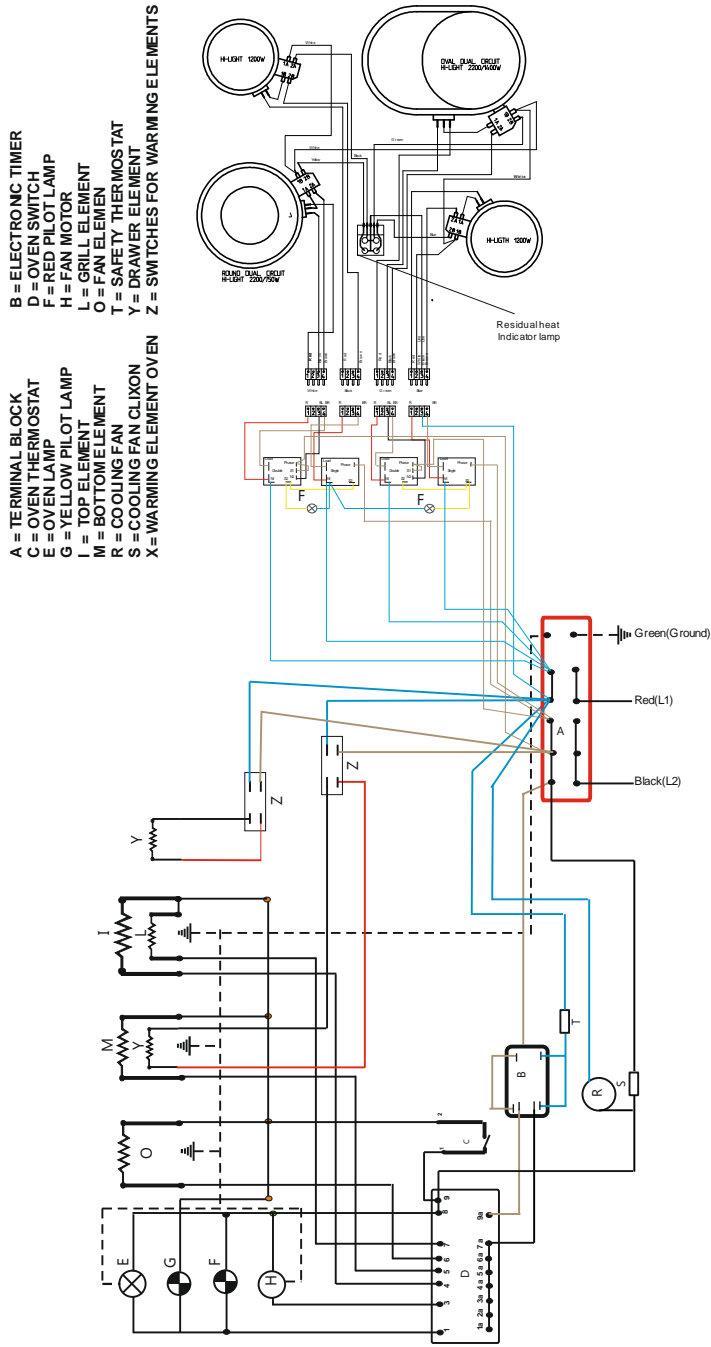


ELECTRICAL WIRING DIAGRAM FREE STANDING COOKER 30" GAS COOKTOP

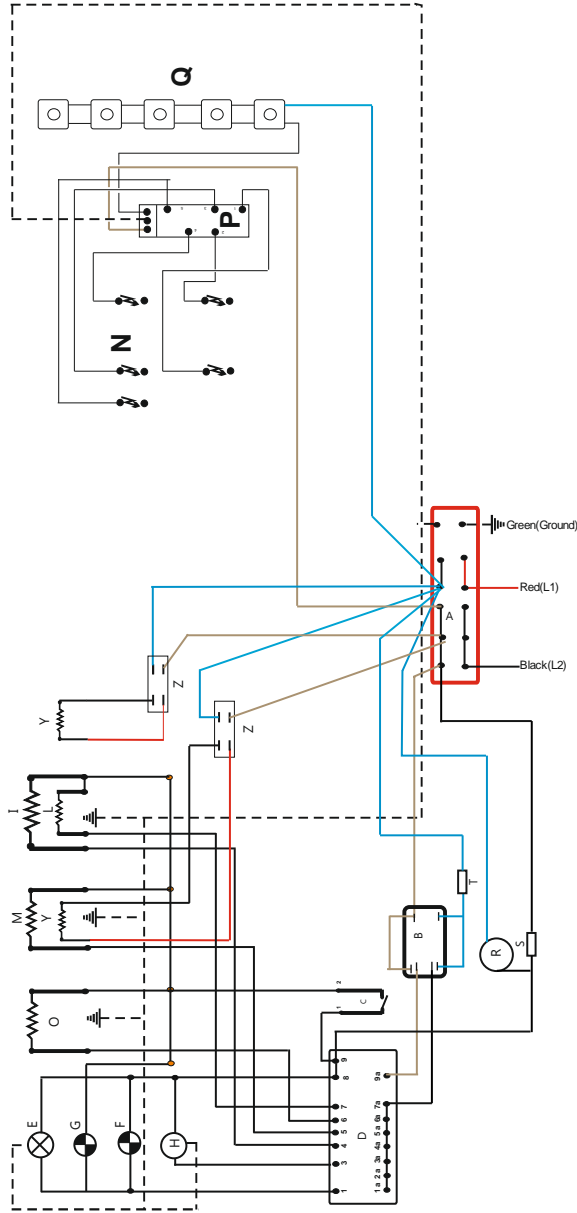


- A = TERMINAL BLOCK
- B = ELECTRONIC TIMER
- C = OVEN THERMOSTAT
- D = OVEN SWITCH
- E = YELLOW PILOT LAMP
- F = RED PILOT LAMP
- G = YELLOW PILOT LAMP
- H = FAN MOTOR
- M = BOTTOM ELEMENT
- O = TOP ELEMENT
- P = SPARK GENERATOR
- N = SPARK CANDLE
- R = COOLING FAN
- S = SAFETY THERMOSTAT
- T = SWITCH CHAIN

ELECTRICAL WIRING DIAGRAM FREE STANDING RANGE 30" CERAMIC COOKTOP

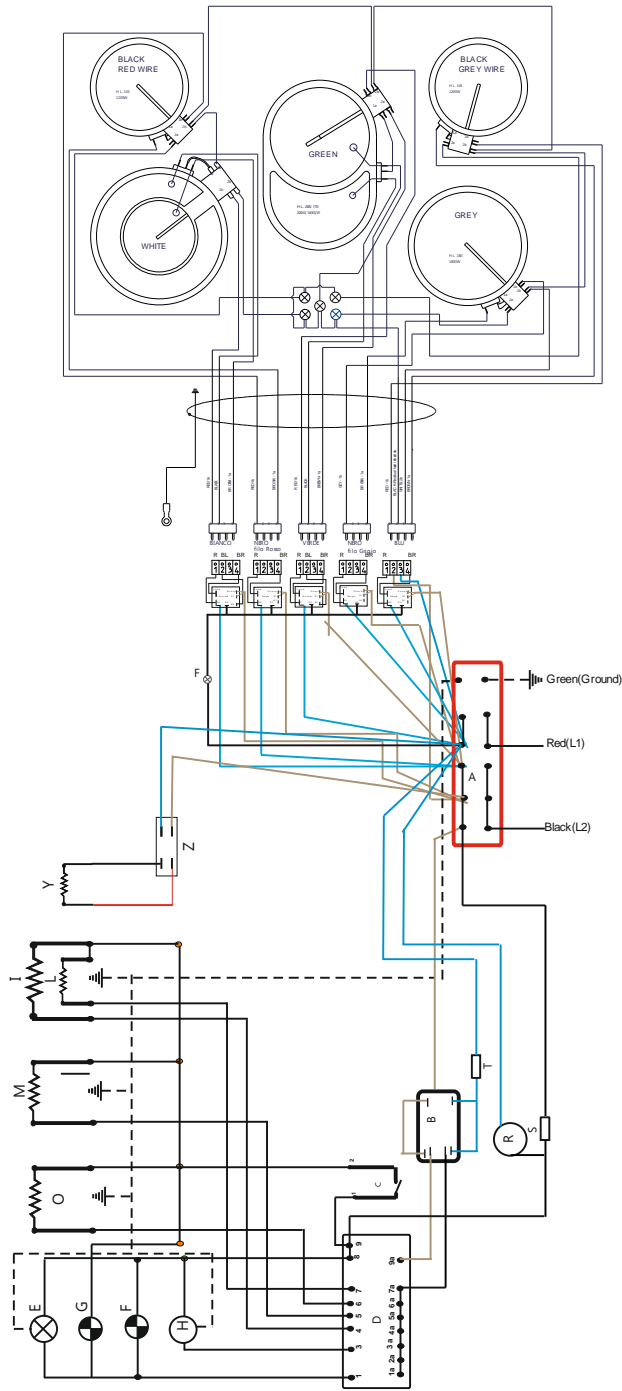


ELECTRICAL WIRING DIAGRAM FREE STANDING COOKER 30" GAS COOKTOP



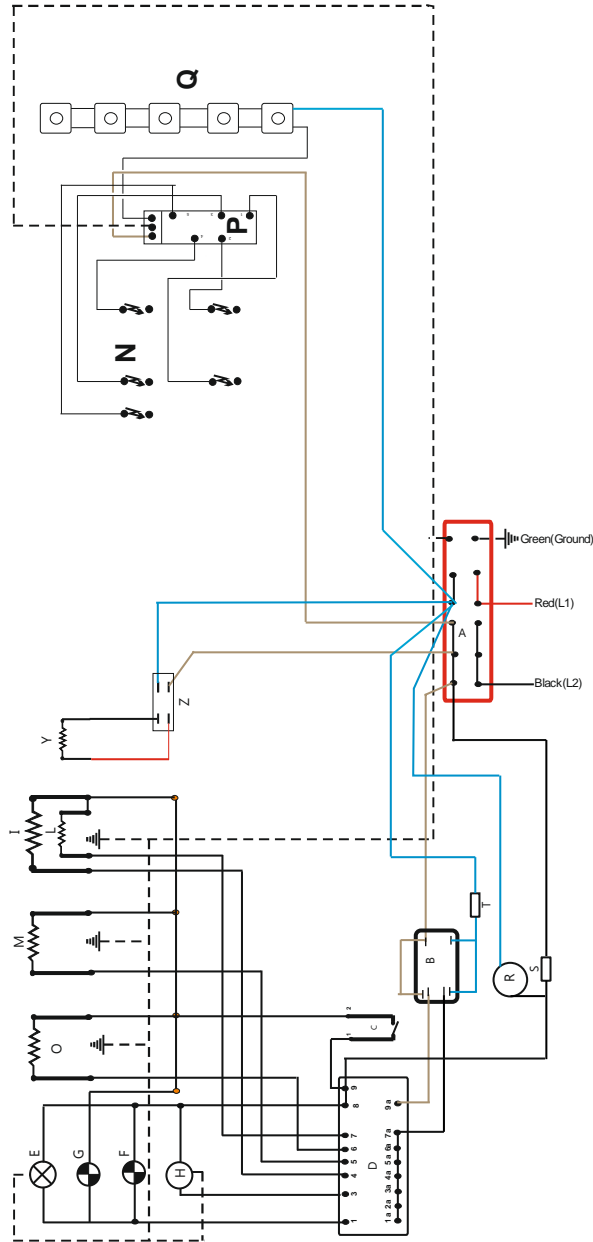
- A = TERMINAL BLOCK
- B = ELECTRONIC TIMER
- C = OVEN THERMOSTAT
- D = OVEN SWITCH
- E = RED PILOT LAMP
- F = FAN MOTOR
- G = YELLOW PILOT LAMP
- H = FAN MOTOR
- I = FAN MOTOR
- M = TOP ELEMENT
- N = BOTTOM ELEMENT
- P = SPARK GENERATOR
- Q = SWITCH CHAIN
- R = SAFETY THERMOSTAT
- S = COOLING FAN
- T = SWITCH CHAIN
- Y = SAFETY THERMOSTAT
- Z = SWITCHES FOR WARMING ELEMENT

ELECTRICAL WIRING DIAGRAM FREE STANDING COOKER 90 CM. CERAMIC COOKTOP



- A = TERMINAL BLOCK
- B = ELECTRONIC TIMER
- C = OVEN THERMOSTAT
- D = OPEN SWITCH
- E = YELLOW PILOT LAMP
- F = FAN MOTOR
- G = YELLOW PILOT LAMP
- H = FAN MOTOR
- I = TOP ELEMENT
- L = GRILL ELEMENT
- M = BOTTOM ELEMENT
- O = FAN ELEMENT
- R = COOLING FAN
- S = COOLING FAN CLIXON
- T = SAFETY THERMOSTAT
- Y = DRAWER ELEMENT
- Z = SWITCH FOR WARMING ELEMENT

ELECTRICAL WIRING DIAGRAM FREE STANDING COOKER 90 CM. GAS COOKTOP



- A = TERMINAL BLOCK
- B = ELECTRONIC TIMER
- C = OVEN THERMOSTAT
- D = OVEN SWITCH
- E = OVEN LAMP
- F = RED PILOT LAMP
- G = OVEN THERMOSTAT
- H = FAN MOTOR
- I = TOP ELEMENT
- M = FAN ELEMENT
- N = SPARK CANDLE
- O = BOTTOM ELEMENT
- P = SPARK GENERATOR
- Q = FAN ELEMENT
- R = COOLING FAN
- S = COOLING FAN CLIXON
- T = SWITCH CHAINE
- Y = SAFETY THERMOSTAT
- Z = SWITCH FOR WARMING ELEMENT

Q - Warranty

Porter&Charles products are designed and built to the highest standards. We expect your appliances to provide many years of trouble free enjoyment. In the event of an appliance requiring attention, each appliance is covered by a 2 year warranty from the date of purchase.

Refer to warranty policy for complete terms and conditions.

Coverage is for costs of parts and labour for appliances in capital cities & metropolitan areas. We reserve the right to charge directly for handling expenses outside the metropolitan region.

Porter&Charles products are supported by a national service support system. Call our customer service department for attention.

Please retain your invoice to quote should you require service assistance. This will identify your product for our priority service back-up. Please attach your invoice to this manual for easy future reference. To register your purchase, you can either complete the section below to mail or fax, or register online at www.porterandcharles.ca/warranty-information.

Porter&Charles
871 Cranberry Court
Oakville, ON L6L 6J7
Canada

Tel: 905-829-3980
Fax: 905-829-3985
Email: marketing@euro-line-appliances.com

For Service & Parts:
EURO-PARTS
1-800-678-8352

Important: Please record details of your purchase below and mail or fax to Porter&Charles

-----cut along line-----

Name: _____ Tel No _____

Address: _____

City : _____ Prov/State: _____ Postal Code/ZIP: _____

Where purchased: _____ Purchase date: _____

Items purchased: _____

Serial No's: : _____

Toutes nos félicitations et remerciements pour avoir choisi d'acquérir un appareil ménager [Porter&Charles](#).

Nous sommes convaincus qu'il vous offrira de nombreuses années de service fiable et de belles expériences de cuisine.

Vous trouverez sûrement que votre appareil comporte des caractéristiques différentes de celles de votre appareil précédent et c'est la raison pour laquelle il est important que vous lisiez votre manuel d'utilisation et que vous compreniez clairement les diverses fonctions qui s'offrent maintenant à vous. Essayez diverses recettes et profitez pleinement des nouvelles caractéristiques de votre appareil.

Conservez ce manuel pour référence. Au cas où vous décideriez de transférer le titre de propriété de cet appareil, assurez-vous de remettre aussi ce manuel au nouveau propriétaire.

Contents

A -	Instructions d'installation et avertissements	Page 43 - 48
B -	Cusinières Measurements	Page 49 - 52
C -	Spécifications électriques	Page 53
D-	Utilisation de l'appareil pour la première fois	Page 54 - 55
E-	Accessoires	Page 55- 56
F-	Fonctionnement du programmateur électronique	Page 57 - 59
G-	Panneau de commande de la surface de cuisson gaz	Page 60
H-	Fonctions de cuisson au gaz	Page 61
I-	Panneau de commande de la surface de cuisson en céramique	Page 62 - 63
L-	Fonctions de cuisson en vitrocéramique	Page 64
M-	Fonctions du four et panneau de commande	Page 65 - 73
N-	Nettoyage et entretien	Page 74 - 78
P-	Guide de dépannage	Page 78
	Wiring diagram	Page 79 - 84
Q-	Garantie	Page 85

A - Instructions d'installation et avertissements



AVERTISSEMENT

Cet appareil n'est pas destiné à être utilisé par des personnes (y compris les enfants) ayant un handicap physique réduite, sensorielles ou mentales, ou le manque d'expérience et de connaissances, à moins qu'elles ne soient surveillées ou instructions concernant l'utilisation de l'appareil par une personne responsable de leur sécurité.

Les enfants doivent être surveillés pour s'assurer qu'ils ne jouent pas avec l'appareil.



AVERTISSEMENT

Pendant l'utilisation de l'appareil devient chaud. Il faut prendre soin d'éviter de toucher les éléments chauffants à l'intérieur du four.



IMPORTANT:

Se il vous plaît faire en sorte que la mesure découper, ventilation et câblage sont telles que spécifiées dans la section B pertinente de ce manuel.

Un électricien agréé avec les qualifications pertinentes doit effectuer des travaux électriques lors de l'installation ou l'entretien de l'appareil. Le câble d'alimentation et du fusible doivent être adaptés à l'appareil. Vous ne devez jamais réparer ou remplacer toute pièce de l'appareil à moins d'une recommandation précise dans le manuel d'utilisation.

Ouverture de ventilation ne doit pas être couvert ou obstruée en aucune façon.

VENTILATION

La chambre contenant cette cuisinières devrait avoir une alimentation en air conformément à la réglementation locale

- Toutes les chambres ont besoin d'une fenêtre ouverte, ou équivalent et certaines chambres, il faudra une ventilation permanente aussi.

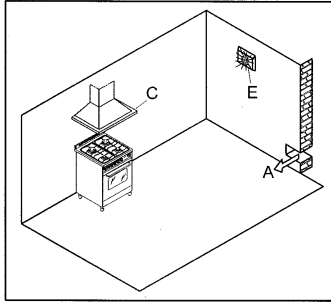
- Pour les chambres jusqu'à 5m² une bouche d'aération de 100cm² est nécessaire.

- Pour les chambres entre 5m² et 100cm² un évent de 50cm² est nécessaire.

- Si la chambre est supérieure à 5m² et a une porte qui débouche directement à l'extérieur, aucune mise à l'air est nécessaire.

- Si il ya d'autres appareils à combustion dans la même chambre, vérifier les réglementations locales pour déterminer les besoins d'aération.

DÉCHARGE DE GAZ DE



Appareils de cuisson doivent toujours évacuer les gaz de combustion dans hottes spéciales (figure 1-C) qui doit être raccordé à des cheminées, conduits de fumée ou d'avoir accès direct à l'extérieur. Si elle n'a pas possible de connecter un capuchon, un ventilateur électrique peut être équipé d'une fenêtre ou d'un mur (fig. 1-E) qui doit être mis en marche lorsque la cuisinière est fonctionnante, à condition que les normes de ventilation soient strictement respectées.

RECOMMANDÉ VENTILATION HAUTEUR

- Pour modèle avec table de cuisson céramique min 60cm. (24 ") au-dessus de gamme
 - Pour le modèle de table de cuisson à gaz min. 76cm (30 ") au-dessus de gamme
- L' appareil ne doit pas être installé à proximité de matières inflammables, Lorsque des cuisinières sont installés à proximité des armoires de finition de vinyle, ces matériaux doivent être capables de résister à des températures jusqu'à 75 ° C. Alternativement, les barrières d'isolation thermique doivent être installés pour éviter toute détérioration de la finition. tels que les rideaux, nappes, etc.

Portez une attention particulière à la position de la conduite de câble électrique et de gaz: ils ne doivent pas toucher les parties chaudes du four.

Le fabricant décline toute responsabilité pour les dommages aux armoires où les directives d'installation du fabricant ne sont pas respectées.

Conversion au GPL

Brûleurs: auxiliaire, semi-rapide, rapide, brûleur de wok.

Ces brûleurs sont tous équipés d'injecteurs conçus pour créer une entrée d'air primaire mesuré pour chaque type de gaz.

Procédez comme suit pour convertir d'un type de gaz à un autre:

- Enlever les grilles, couvertures, diffuseur de flamme et les supports des brûleurs; (figure 7).
- Remplacer les injecteurs comme indiqué dans 7 / C selon le type de gaz utilisé (voir tableau 1);
- Mettre les supports des brûleurs, diffuseurs de flamme, des couvertures et des grilles de retour en position;
- Réguler la sortie minimum suivant les instructions du paragraphe 1.7.

REMARQUE: Le régulateur doit être réglé pour le gaz utilisé.

Table 1

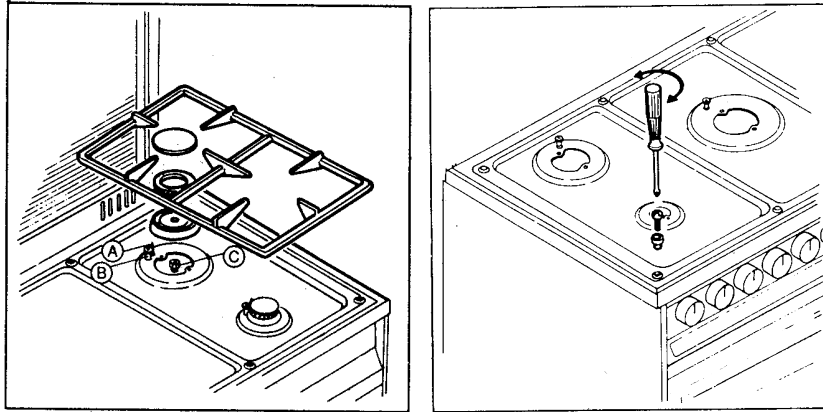


Fig.7

7/C

Régulation de la puissance minimale de la FEUX TABLE DE CUISSON Robinet normales

Allumer les brûleurs et tournez le bouton à la position minimum. Enlevez le bouton et insérer un petit tournevis à tête plate dans la tige ou à travers les trous sur le côté du panneau de commande, en fonction du type (fig. 8 A / B). Régler la vis jusqu'à ce que la flamme est abaissée mais stable, même lorsque des changements rapides sont faits à partir du maximum à la position minimum avec le froid du brûleur. Si les robinets de sécurité sont installés, laisser le brûleur minimum pendant quelques minutes à faire en sorte que l'appareil ne coupe pas. Si elle le fait, augmenter le seuil minimum.

N. B. Pour les réglages de gaz liquéfié, le minimum du brûleur doit être réglé en serrant complètement le robinet by-pass.

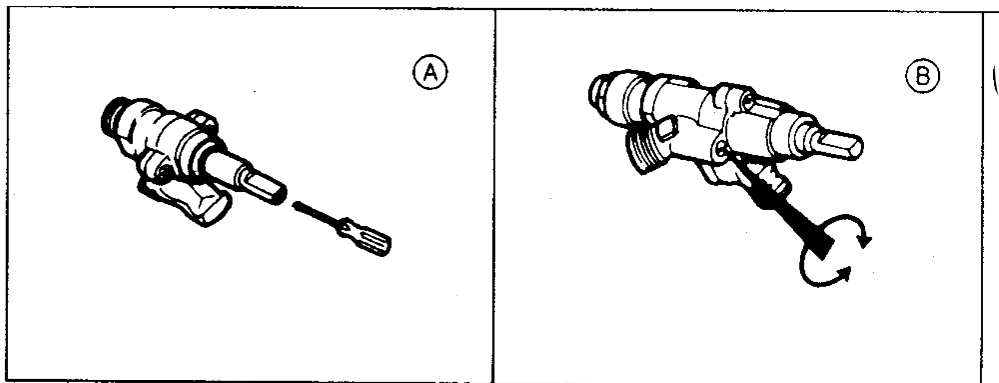


Fig.8



AVERTISSEMENT

- Utilisation d'une table de cuisson à gaz produit de la chaleur et de l'humidité dans la pièce où il est installé. Vérifiez que la pièce est bien ventilée en gardant toutes les bouches d'aération naturels ouvert ou par l'installation d'une hotte d'extraction avec conduit de fumée.
- L'utilisation intensive ou extensive de la gamme peut exiger complémentaire ventilation par exemple l'ouverture d'une fenêtre, ou plus efficace, par exemple la ventilation augmentation de la capacité de la ventilation mécanique, si elle est installée.
- Si la flamme du brûleur vont accidentellement en raison de la circulation d'air excessive, fermez la manette et attendre au moins une minute avant d'allumer.



N. B. Quand les brûleurs sont allumés, il ne doit pas y avoir de courants d'air à l'intérieur de la chambre en ce qu'ils peuvent affecter la flamme ou même souffler.

INSTRUCTIONS D'INSTALLATION

NE PAS SOULEVER L'APPAREIL AVEC LA POIGNÉE DE PORTE POUR EVITER DES DOMMAGES.

Les opérations indiquées ci-dessous doivent être suivies par un technicien qualifié, en conformité avec les réglementations locales.

Le fournisseur décline toute responsabilité pour les dommages corporels ou matériels, résultant de l'inobservation de ces dispositions.

Toutes les unités sont 208 / 240 Volt puissance et 60Hz.

L'appareil est conçu pour être utilisé à proximité de pièces résistantes à la chaleur des meubles ou des armoires de cuisine seulement.



ATTENTION

Le non-respect de cette précaution peut entraîner un mauvais fonctionnement du système de contrôle de la table de cuisson et d'affecter les dispositions de garantie du produit.



AVERTISSEMENT

Tous les aspects de l'installation doivent être conformes aux normes nord-américaines de câblage, ainsi que les codes locaux électriques et de construction et les règlements, ainsi que toutes autres conditions et exigences applicables de votre autorité d'alimentation locale. Votre appareil doit être correctement installé et mis à la terre par un technicien qualifié et agréé.

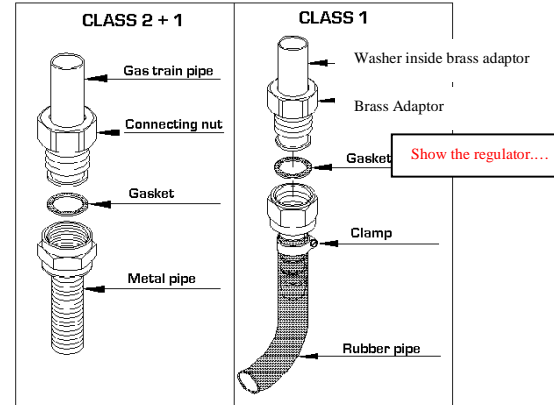
208/240Volt 60 Hz 30Amp/40Amp service

Une mauvaise installation de l'appareil, résultant de l'installateur ne respectant pas les spécifications détaillées d'installation, peut affecter les performances de l'appareil.

RACCORDEMENT AU RÉSEAU DE GAZ: LES NORMES ACTUELLES INSTALLATION

La cuisinière doit être raccordé conformément aux réglementations locales, en utilisant soit une des liaisons rigides ou flexibles.

- d) Pour le constructeur: l'utilisation d'un tuyau continu flexible en acier inoxydable, selon les normes d'installation en vigueur, qui peut être étendue à un maximum de 2000 mm ; les extrémités du tuyau doivent être équipés d'un ISO 228 / 1 couplage et joint ou un raccord fileté ISO 7/1 avec joint mécanique.
- e) Pour debout libre: Un tuyau flexible non métallique peut être utilisé tant qu'il est conforme aux normes en vigueur et les instructions d'installation suivantes sont respectées: le tuyau doit être supérieure à 400 mm et inférieure à 1500 mm; il ne doit pas dépasser 50 ° C en tout point; il est pas tiré ou tordu; il ne peut pas être étouffée et les bords entiers, les angles aigus ou d'autres dangers similaires.



Avant de connecter le tuyau souple non métallique, l'adaptateur en laiton et joint fournis avec la cuisinière et / ou disponible auprès du revendeur doivent être montés sur le train tuyau / gaz à flexible non métallique. l'arrière de la cuisinière. **Le régulateur fourni doit être placé entre l'adaptateur en laiton et le tuyau**

- c) Un plombier de gaz certifié doit effectuer l'installation et répondre aux exigences de la réglementation locale pour les connexions de gaz. Lorsque l'unité dispose d'un câble blindé à un électricien certifié doit effectuer la connexion électrique. Le fil blanc ou neutre ne sera pas utilisé et doit être plafonné en utilisant un marrette.



AVERTISSEMENT

Afin d'éviter le basculement de l'appareil, la chaîne de sécurité doit être fixé à un crochet fixé au mur.

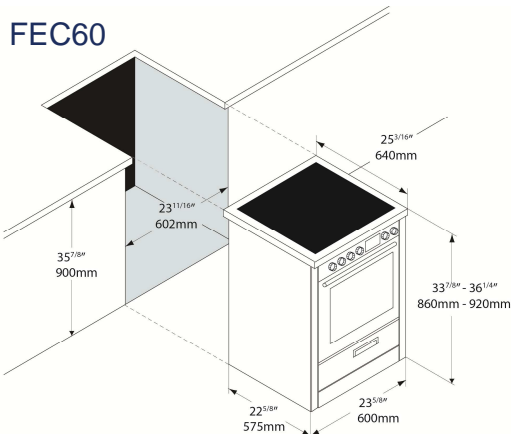
(Se IL VOUS PLAÎT NOTE: Le crochet de fixation ne sont pas fournis comme le type dépendra de la construction du mur sur lequel elle sera foré et équipé L'installateur doit fournir le crochet de fixation sur demande du client).



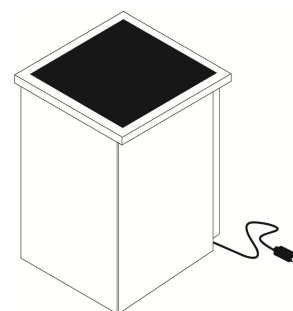
B - Cuisinieres Measurements

Measurements

Veillez noter que toutes les dimensions fournies sont en millimètres (mm) et en inches. Les tailles permettent qu'une faible marge d'erreur si toutes les découpes doivent être précis et carré. Si l'appareil est placé sur une base, des mesures doivent être prises pour éviter le glissement de l'appareil de la base.



Vue arrière

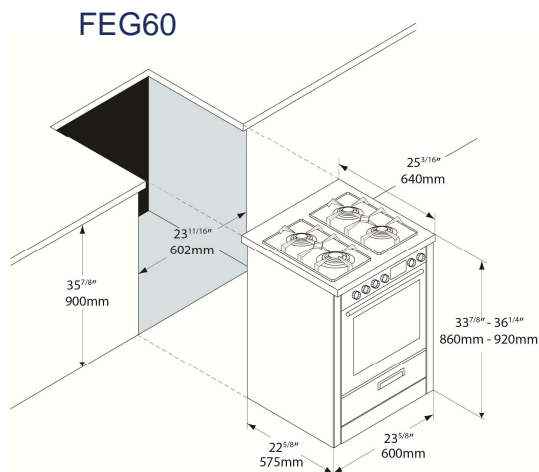


CUISINIERE DIMENSIONS

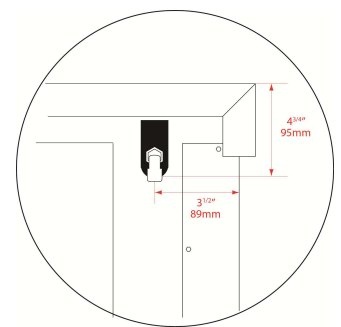
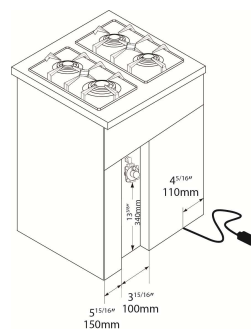
- D: 25 ^{3/16} " • W: 23 ^{5/8} " • H: 33 ^{7/8} " - 36 ^{1/4} "
- D: 640 mm • W: 600 mm • W: 860 mm – 920 mm

SPECIFICATION ELECTRIQUE

- 208/240 Volt, 60Hz, 40AMP
- P&C ranges are supplied with a 5' long electrical.



Vue arrière



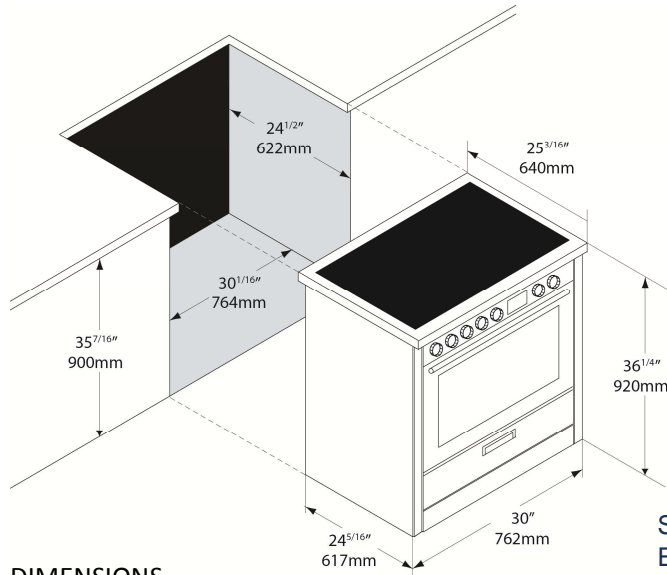
CUISINIERE DIMENSIONS

- D: 25 ^{3/16} " • W: 23 ^{5/8} " • H: 33 ^{7/8} " - 36 ^{1/4} "
- D: 640 mm • W: 600 mm • W: 860 mm – 920 mm

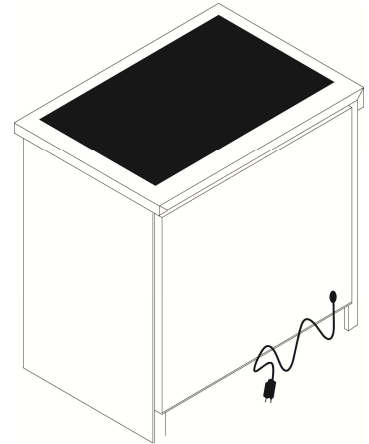
SPECIFICATION ELECTRIQUE

- 208/240 Volt, 60Hz, 40AMP
- P&C ranges are supplied with a 5' long electrical.

FEC76



Vue arrière



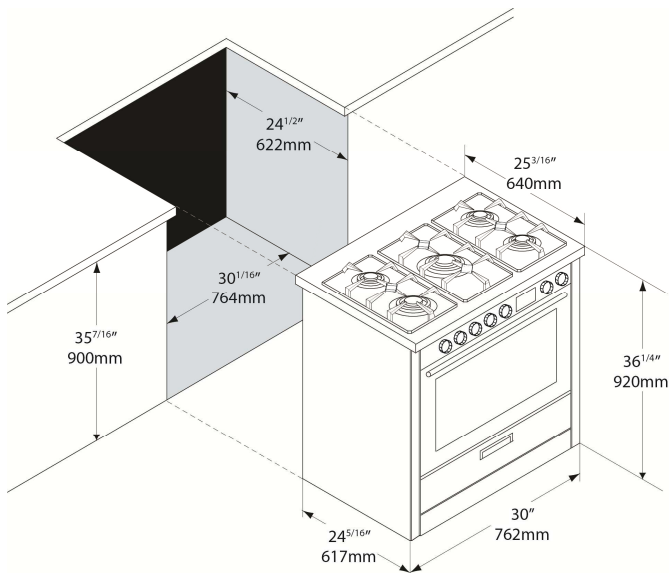
CUISINIÈRE DIMENSIONS

- D: 25 ^{3/16}” • W: 30” • H: 36 ^{1/4}”
- D: 640 mm • W: 762 mm • W: 920 mm

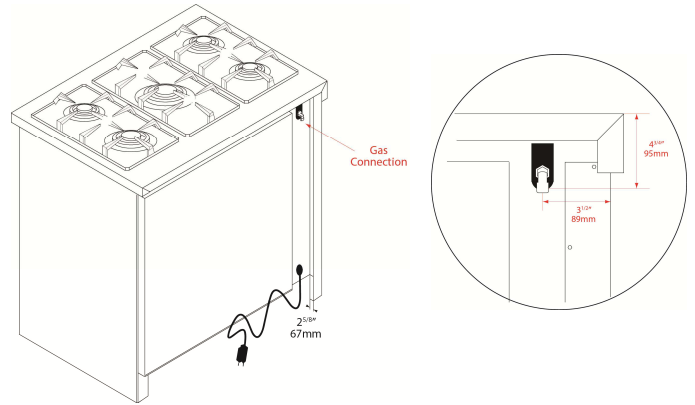
SPECIFICATION ELECTRIQUE

- 208/240 Volt, 60Hz, 40AMP
- P&C ranges are supplied with a 5' long electrical.

FEG76



Vue arrière



CUISINIÈRE DIMENSIONS

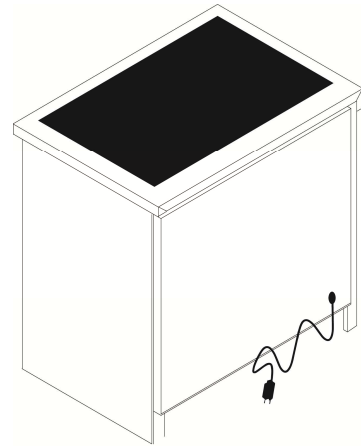
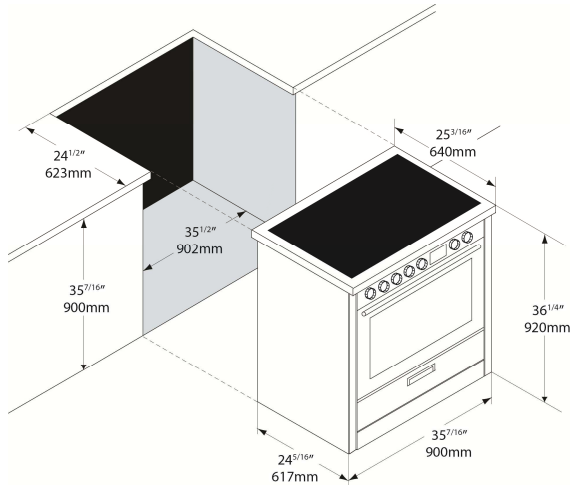
- D: 25 ^{3/16}” • W: 30” • H: 36 ^{1/4}”
- D: 640 mm • W: 762 mm • W: 920 mm

SPECIFICATION ELECTRIQUE

- 208/240 Volt, 60Hz, 40AMP
- P&C ranges are supplied with a 5' long electrical.

FEC90

Vue arrière



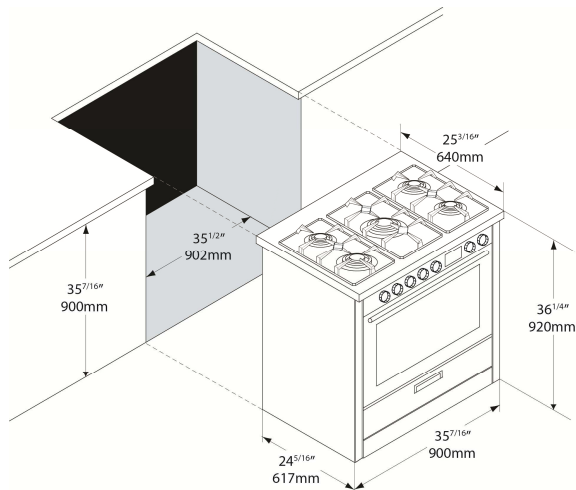
CUISINIERE DIMENSIONS

- D: 25 ³/₁₆" • W: 35 ⁷/₁₆" • H: 36 ¹/₄"
- D: 640 mm • W: 900 mm • W: 920 mm

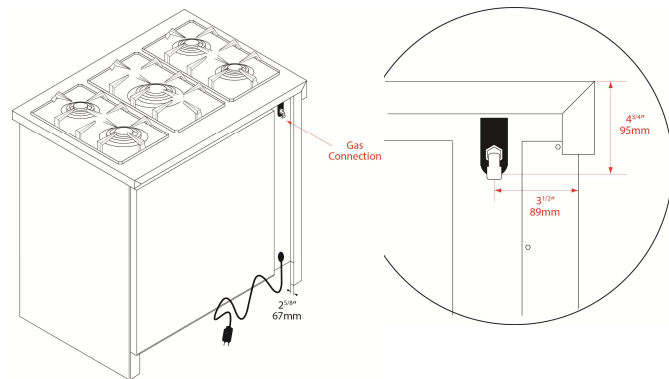
SPECIFICATION ELECTRIQUE

- 208/240 Volt, 60Hz, 40AMP
- P&C ranges are supplied with a 5' long electrical.

FEG90



Vue arrière

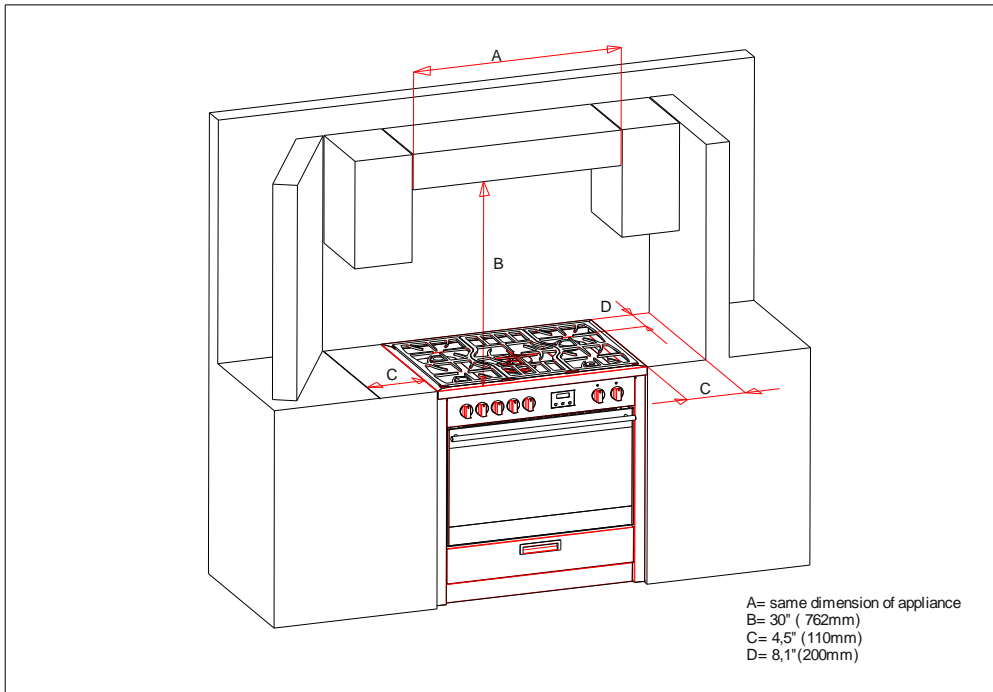


CUISINIERE DIMENSIONS

- D: 25 ³/₁₆" • W: 35 ⁷/₁₆" • H: 36 ¹/₄"
- D: 640 mm • W: 900 mm • W: 920 mm

SPECIFICATION ELECTRIQUE

- 208/240 Volt, 60Hz, 40AMP
- P&C ranges are supplied with a 5' long electrical.



C – Spécifications électriques



AVERTISSEMENT

Tous les aspects de l'installation doivent être conformes aux exigences des règles de câblage standards nord-américaines, ainsi que vos codes et règlements électriques et de construction locaux, et toutes les autres exigences et conditions applicables de votre autorité d'alimentation locale. Un électricien qualifié doit effectuer les travaux d'électricité lors de l'installation de cet appareil. Le câble d'alimentation et du fusible doivent être adaptés à l'appareil. La gamme est livré avec une prise 40A cordon.

240Volt 60Hz 40AMP (cuisiniere avec plaque ceramic)

240Volt 60Hz 30AMP (cuisiniere avec plaque gaz)

Remarque:

Pour l'électricien – il faut assurer que le câble d'alimentation fournie est suffisante pour permettre que l'appareil soit retiré de la cavité pour l'entretien nécessaire. Cela permettra également une connexion facile de l'alimentation.

Raccordement de l'alimentation de tension, si l'unité est fourni sans cordon d'alimentation

Pour connecter l'alimentation électrique:

- 1- Cet appareil doit être installé séparément sur un sous-circuit final distinct.
 - 2- Vérifiez que le câble d'alimentation et du fusible sont adaptés à l'appareil (voir la charge électrique).
 - 3- Retirer le couvercle en dévissant la vis.
 - 4- Monter une entrée douille appropriée à l'entrée de câble sur le côté gauche arrière de l'appareil (à l'arrière vers vous) et alimenter le câblage fixe à travers.
 - 5- Branchez le câblage au bornier à l'aide des vis de fixation fournis. Assurer que les conducteurs sont correctement pour empêcher toute connexion électrique à haute résistance.
 - 6- Remplacer le couvercle en vous assurant que le câble d'alimentation est clair de toute le travail du métal et les vis.
 - 7- Si le cordon d'alimentation est endommagé, il doit être remplacé par le fabricant, son agent de service ou une personne qualifiée afin d'éviter tout risque
- 2- Lorsqu'il est connecté à un circuit secondaire, est protégé par un disjoncteur, il est recommandé de le disjoncteur soit la même que l'intensité totale de l'appareil.

Pour déconnecter complètement l'alimentation, il est nécessaire d'avoir une bonne moyenne dans le câblage fixe conformément aux règles de câblage. Il doit avoir une coupure totale sous catégorie de surtension III conditions.

Si vous souhaitez une connexion directe à la ligne, il est nécessaire d'utiliser un interrupteur bipolaire, avec une ouverture minimale entre les contacts de 3 mm. approprié à cet effet et dans le respect des réglementations locales (le câble de terre vert ne doit pas être interrompu par l'interrupteur

D – Utilisation de l'appareil pour la première fois

Après montage, retirez toutes les étiquettes de notification (pas d'identification ou des étiquettes d'avertissement) et les matériaux d'emballage. Après le nettoyage, veillez surfaces nettoyées sont bien rincées et essuyées avec un chiffon doux et propre.

Puissance on



REMARQUE: Le four ne fonctionne pas si l'horloge n'est pas réglée.

Lors de la première application, l'affichage clignote et indique 00 :00.

Le moment de la journée est affiché en format numérique de 24 heures (par exemple: 18h00 sont 6heures apres midi).

Premiere allumage du four

Avant la cuisson dans l'appareil un pré-chauffage initial est nécessaire pour brûler le film d'huile fin utilisé pour protéger les éléments pour l'expédition. Sélectionnez un mode de cuisson et régler la température du four à 180 ° C. Avec la porte fermée, laisser pendant environ 5 minutes.

Répétez l'étape ci-dessus pour chaque mode de cuisson.

Après avoir terminé le dessus assurez-vous que toutes les commandes sont désactivées. Le four est maintenant prêt pour la cuisson et griller.

NE PAS utiliser de papier aluminium sur la base des fours

L'utilisation de papier d'aluminium sur la base du four pour éviter les fuites et améliorer le nettoyage est déconseillée. L'élément de fond est dissimulée sous la base de la moufle de four (non exposée). Feuille ou plats avec des qualités de réflexion ne doivent jamais être placés sur la base du four pendant la cuisson comme la concentration de directs et réfléchis chaleur peut endommager la surface de l'émail.



AVERTISSEMENT

Les dommages résultant d'une telle utilisation **ne sont pas couverts en vertu des dispositions de la garantie.**

Premiere allumage du four

De la fumée et l'odeur peuvent être remarqué pendant le cycle de chaleur initial. Ceci est normal et devrait rapidement se dissiper. Si des niveaux anormaux de fumée se produisent lors de l'utilisation (ex: il est pas la nourriture qui brûle), faites contrôler l'appareil à fond.

Ne pas utiliser l'appareil comme un appareil de chauffage

L'appareil ne doit jamais être utilisée pour chauffer ou réchauffer la salle environnante. Les matériaux combustibles ne doivent jamais être placés sur ou près de l'appareil.

Ne pas laisser les enfants seuls

Les enfants ne doivent pas être laissés sans surveillance dans la zone où l'appareil est en cours d'utilisation. Les enfants ne doivent jamais être autorisés à rester assis ou debout sur une partie quelconque de l'appareil.

Portez des vêtements appropriés lors de l'utilisation de l'appareil

Lâches, pendaison ou des vêtements hautement inflammables (tels que les synthétiques) ne doivent jamais être portés pendant l'utilisation de l'appareil.

Utilisez des poignées sèches seulement

Des gants mouillés ou humides sur des surfaces chaudes peuvent causer des brûlures par la vapeur. Ne laissez pas titulaire du pot de toucher les éléments chauffants. Ne pas utiliser une serviette ou un tissu épais lors de la manipulation des ustensiles de cuisson chauds dans l'appareil.

Compartiments du four ne doivent jamais être utilisés pour le stockage

Articles, en particulier les matières inflammables, ne doivent jamais être remisés dans un four ou près des éléments de surface.

Ne pas utiliser d'eau sur un feu de graisse

Incendies ou des flammes doivent être étouffées avec des matériaux ignifuges ou éteints à l'aide d'un autre retardateur de feu adapté chimique sec ou.

Toutes les opérations d'installation, les réglages, conversion du type de gaz et de maintenance doivent être effectuées par un technicien qualifié, conformément aux instructions ci-jointes et les normes d'installation en vigueur. Le fabricant décline toute responsabilité en cas de mauvaise installation, le réglage, la manipulation et l'utilisation de la gamme.

Vérifier périodiquement qu'il n'y a pas de fuites de gaz dans le tuyau qui relie la plage à la prise de gaz ou la conduite d'alimentation; remplacer à l'expiration.

Lorsque la cuisinière est pas en cours d'utilisation, veiller à ce que tous les boutons sont en position d'arrêt; en outre, si elle est inutilisée pendant une période de temps, fermer la vanne de prise de gaz et le robinet d'alimentation, ainsi que le réseau électrique de l'appareil.

Gardez les graveurs, des couvertures et des diffuseurs de flamme propres pour assurer un fonctionnement optimal.

E - Accessoires

Votre appareil doit être équipé avec les éléments suivants.

- 1 x Paire de glissières de glissement rétractables (seulement pour le modèle 76 / 90cm.) Qui peut être installé sur plusieurs positions selon les besoins
- 1 x profond émaillé Rôtissoire avec double hauteur Grill réversible - prêt à glisser dans les positions de grille de côté ou d'un raccord sur glissieres rétractables
- 2 x grilles du four fil qui peut être installé dans les grilles laterale ou positioner sur les glissieres rétractables pour glisser dans les positions de grille secondaires
- Remarque: Pour les modèles 76 / 90cm. D'autres paire de glissières rétractables sont disponibles en option et peuvent être équipés à tout moment
- Remarque: des étagères et des bacs de four supplémentaires sont disponibles en option.

Le support de grille du four se compose de 5/6 positions. Rappelez-vous toujours de placer les racks avant chauffer le four, et supprimer toutes les étagères et la rôtissoire avant les opérations de nettoyage.

Les glissieres peuvent être placés dans l'une des six position

comment placer correctement les grilles du four et lèchefrite

Oven 76/90cm



Oven 60cm.



Oven 60/76cm.



Oven 90cm.



Les glissières peuvent fonctionner à des niveaux d'insertion de 2 à 6. Les grilles peuvent être insérées dans n'importe quel position des grilles latérales ou sur les glissières. La leche frite peut être inséré sur les positions 1, 2, 3, 4 et 5. Il peut être utilisé avec les glissières également sur la position 6, mais ne peut pas être utilisé avec les glissières en position 4. Lors de l'insertion de la grille, le cavalier doit être positionné vers le haut à l'arrière du four.

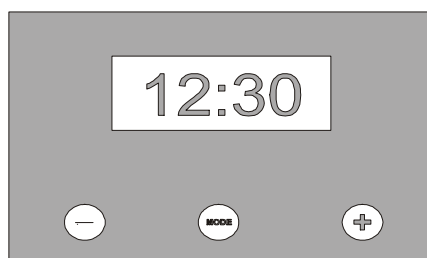
Les rainures sur les côtés des grilles, servent à empêcher le basculement lors de la sortie du four.

Les glissières peuvent être placés dans une position quelconque sur le côté de la grille; l'insertion peut avoir lieu dans n'importe quel position des grilles latérales.

F - Fonctionnement du programmateur électronique

L'horloge de 24 heures vous permet de régler vos choix de cuisson automatique jusqu'à 24 heures à l'avance.

- 4 - : Bouton de diminution de temps
- 5 **Mode** : Minuterie-compte à rebours avec Alarme, Durée de cuisson, Fin de cuisson
- 6 + : Bouton de rajout de temps



Réglage de l'heure à l'horloge de 24 heures



IMPORTANT – POUR NOUVELLE INSTALLATION ET PREMIER USAGE

- 10- Vous devrez mettre l'horloge à l'heure pour mettre l'appareil en marche (ou après une panne d'électricité).
- 11- Dès que vous allumerez l'appareil (ON), le contact du relais s'ouvre et l'afficheur et le symbole AUTO se mettent à clignoter et l'horloge indique 0:00.
- 12- Appuyez sur les boutons PLUS et MOINS simultanément pendant au moins 3 secondes. Le symbole AUTO disparaît, le symbole POT apparaît et le point clignote. Le bouton PLUS fait avancer l'heure, d'abord lentement puis de plus en plus vite. Si vous dépassez l'heure voulue, appuyez sur le bouton MOINS pour revenir en arrière.
- 13- Appuyez sur le bouton MODE pour sélectionner le réglage de l'heure. Le POINT sera statique.
- 14- Le four est maintenant prêt à être utilisé et à accepter les fonctions et modes sélectionnés.
- 15- On peut régler la minuterie avec compte à rebours jusqu'à 24 heures et les modes de cuisson automatiques jusqu'à 10 heures. Quand le compte à rebours atteint zéro, l'alarme sonne.
- 16- *Réglage de la minuterie.*
- 17- Appuyez sur le bouton MODE pendant un minimum de 3 secondes. Le symbole de la cloche clignote et l'afficheur indique 0:00. À l'aide du bouton PLUS, faites avancer la minuterie jusqu'à l'heure désirée.
- 18- Dès que vous aurez réglé la minuterie, l'heure normale reviendra à l'afficheur dans les 7 secondes qui suivent. Si vous voulez savoir combien de temps il reste à la minuterie, appuyez sur le bouton MODE pendant 3 secondes. Le temps restant sera affiché, et l'heure normale reviendra à l'afficheur dans les 7 secondes qui suivent.
- 19- Pour arrêter l'alarme, appuyez sur le bouton MODE pendant au moins 4 secondes

Ajustement de la tonalité de l'alarme de la minuterie.

Pour ajuster la tonalité, appuyez sur le bouton MOINS. Chaque fois que vous appuierez sur ce bouton, la tonalité changera. Il y a 3 tonalités différentes parmi lesquelles vous pouvez choisir. La minuterie électronique sauvegardera en mémoire la dernière tonalité que vous aurez activée.

Cuisson – Mode manuel

Quand l'heure est réglée à l'horloge, le symbole POT apparaît à l'afficheur. Cela signifie que le four est en mode de fonctionnement manuel et que vous pouvez sélectionner les fonctions de cuisson et les températures désirées.

Basé sur le réglage de la durée de cuisson ('DUR')

- 1. Réglez la fonction et la température à la position désirée**
- Exemple : si vous désirez faire cuire un aliment pendant 45 minutes, appuyez sur le Bouton MODE pendant au moins 4 secondes. Appuyez encore une fois sur le Bouton MODE. Le symbole AUTO clignote et l'afficheur indique "DUR". L'afficheur alterne automatiquement entre "DUR" et 0:00. Pendant ce temps vous pouvez régler la durée à 45 minutes en appuyant sur le bouton PLUS (si vous dépassez la durée requise, appuyez sur le bouton MOINS pour revenir en arrière). Relâchez et l'afficheur retournera à l'heure du jour après 7 secondes. Le symbole AUTO apparaît également, indiquant que vous avez réglé la fonction de cuisson automatique.
- Le four fonctionnera pendant 45 minutes seulement, puis il s'éteindra automatiquement et l'alarme sonnera. Le symbole AUTO clignotera alors et le symbole POT disparaîtra. L'alarme s'arrêtera dès que vous aurez appuyé sur le Bouton MODE.
- Si vous maintenez la pression sur le Bouton MODE pendant plus de 4 secondes, le four retournera au mode de cuisson normal.
- Si vous devez prolonger la cuisson, laissez le four sur le mode manuel ou répétez la séquence ci-dessus.

Note : Si vous n'avez pas arrêté le réglage de la fonction et du thermostat, votre four Modes de cuisson automatique :

continuera à fonctionner manuellement. Le symbole AUTO disparaîtra et le symbole POT réapparaîtra.

Basé sur le réglage d'une heure précise d'arrêt de la cuisson

- 1. Réglez la fonction et la température à la position désirée**
- Exemple : si vous commencez à cuisiner et que vous désirez que le four s'éteigne à 18 heures, appuyez sur le Bouton MODE pendant au moins 4 secondes. Appuyez encore deux fois sur le Bouton MODE. Le symbole AUTO clignote et l'afficheur indique "End". L'afficheur alterne automatiquement entre "End" et l'heure du jour. Pendant ce temps vous pouvez régler l'heure d'arrêt de cuisson à 18 :00 en appuyant sur le bouton PLUS (si vous dépassez la durée requise, appuyez sur le bouton MOINS pour revenir en arrière). Relâchez et l'afficheur retournera à l'heure du jour après 7 secondes. Le symbole AUTO apparaît également, indiquant que vous avez réglé la fonction de cuisson automatique.
- Le four fonctionnera jusqu'à 18 heures, puis il s'éteindra automatiquement et l'alarme sonnera. Le symbole AUTO clignotera alors et le symbole POT disparaîtra. L'alarme s'arrêtera dès que vous aurez appuyé sur le Bouton MODE.
- Si vous maintenez la pression sur le Bouton MODE pendant plus de 4 secondes, le four retournera au mode de cuisson normal.
- Si vous devez prolonger la cuisson, laissez le four sur le mode manuel ou répétez la séquence ci-dessus.

Note : Si vous n'avez pas arrêté le réglage de la fonction et du thermostat, votre four continuera à fonctionner manuellement. Le symbole AUTO disparaîtra et le symbole POT réapparaîtra.

Entièrement automatique – (Début différé – Arrêt différé)

Vous pouvez programmer votre four afin qu'il commence, à une certaine heure, qu'il fonctionne pendant une certaine durée et qu'il s'éteigne automatiquement. Cette fonction est particulièrement utile pour la préparation du souper, si vous devez sortir et que vous désirez que le souper soit prêt à votre retour.

1. Exemple : si vous voulez préparer un plat qui nécessite 45 minutes de cuisson et que vous voulez que la cuisson finisse à 18 heures : appuyez sur le Bouton MODE pendant au moins 4 secondes. Appuyez encore une fois sur le Bouton MODE. Réglez la durée de la cuisson à 45 minutes à l'aide des boutons PLUS et MOINS. Appuyez à nouveau sur le bouton MODE. Réglez l'heure d'arrêt de la cuisson à 18 :00. Relâchez et l'afficheur retournera à l'heure du jour après 7 secondes. Le symbole AUTO sera affiché.
2. Le four est maintenant programmé pour commencer à fonctionner automatiquement 45 minutes avant 18 heures, puis il s'éteindra automatiquement.
3. Quand la cuisson est achevée, le symbole AUTO clignotera alors et le symbole POT disparaîtra. L'alarme s'arrêtera dès que vous aurez appuyé sur le Bouton MODE.
4. Si vous maintenez la pression sur le Bouton MODE pendant plus de 4 secondes, le four retournera au mode de cuisson normal.

Annulation des réglages automatiques

Pour annuler un programme : Appuyez simultanément sur les boutons PLUS et MOINS pendant au moins 3 secondes.



NOTE:

Parfois, lors de la mise en marche ou en raison de déviations électriques, le programmeur peut geler en fonction. Dans un tel cas, nous recommandons de déconnecter l'appareil, d'attendre quelques minutes, puis de le rebrancher. Cela devrait libérer la fonction gelée et permettre de rétablir le programmeur et le fonctionnement normal.

Ventilateur de refroidissement

Le four simple et le four double sont fournis avec un moteur de ventilateur qui sert à réduire la chaleur autour du four. Le moteur du ventilateur est contrôlé par un détecteur qui démarre le ventilateur quand la température atteint le niveau préfixé, et l'arrête quand la température baisse.

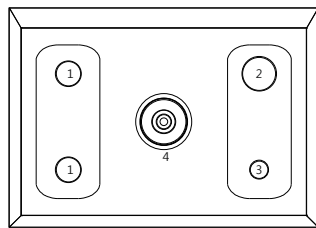
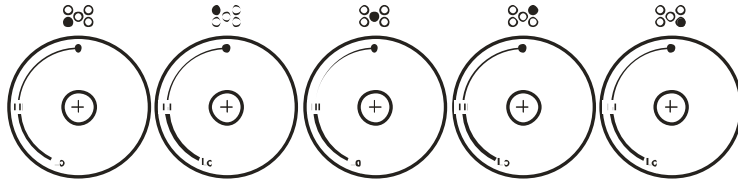
Cet élément protège le four et les armoires adjacentes de tout dommage dû à une température trop élevée.

Thermostat de sécurité

Votre four est équipé d'un détecteur de température qui arrêtera automatiquement le four s'il surchauffe. Ce détecteur se trouve sur la paroi arrière du four, à l'intérieur du revêtement, et il ne s'activera qu'en cas de situation extrême. Ce détecteur protège le four et les armoires adjacentes. S'il est activé, il arrêtera le four pendant une période donnée, puis rétablira automatiquement le fonctionnement normal du four. Si ce problème se répète, vous devriez consulter un technicien.

G - Panneau de commande de la surface de cuisson gaz

Taque gaz 76/90cm.

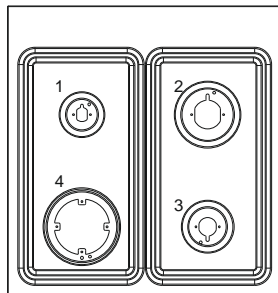
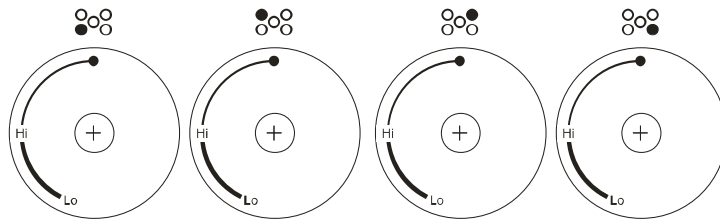


1= bruleur semirapid 2= bruleur rapid
3=bruleur auxiliary 4= bruleur wok

Details techniques

Bruleurs	GAS	Pression normale mbar	INJECTEURS DIAMETER 1/100 mm	Robinet BY PASS DIAMETER 1/100mm	puissance nominale MAX. (BTU/H)
1 SEMI-RAPID	PROPANE NATURAL	28 10	72 118	35 REG.	8.000 8.000
2 RAPID	PROPANE NATURAL	28 10	90 155	46 REG.	11.300 11.500
3 AUXILIARY	PROPANE NATURAL	28 10	55 90	35 REG.	5.000 5.000
4 WOK	PROPANE NATURAL	28 10	115 200	65 REG.	17.500 15.600

Taque gaz 60cm.



1= bruleur semirapid 2= bruleur rapid
3=bruleur auxiliary 4= bruleur wok

Details techniques

Bruleurs	GAS	Pression normale mbar	INJECTEURS DIAMETER 1/100 mm	Robinet BY PASS DIAMETER 1/100mm	puissance nominale MAX. (BTU/H)
1 SEMI-RAPID	PROPANE NATURAL	28 10	72 118	35 REG.	8.000 8.000
2 RAPID	PROPANE NATURAL	28 10	90 155	46 REG.	11.300 11.500
3 AUXILIARY	PROPANE NATURAL	28 10	55 90	35 REG.	5.000 5.000
4 WOK	PROPANE NATURAL	28 10	115 200	65 REG.	17.500 15.600

H - Fonctions de cuisson au gaz

Allumage automatique

Tournez dans le sens antihoraire bouton correspondant à la position maximale et appuyez sur le bouton. Une fois le brûleur a été démarré, maintenez le bouton enfoncé pendant environ 6 secondes.

L'utilisation des brûleurs

Afin d'obtenir le rendement maximal sans perdre de gaz, il est important que le diamètre de la casserole est adapté au potentiel du brûleur (voir le tableau suivant et figure 1). Ceci permet d'éviter les extrémités de flamme étant supérieure à la base du pot. Toutes les positions fonctionnement doit être effectué entre le haut et les réglages bas, jamais entre la position haute et le point de fermeture.

L'alimentation en gaz peut être interrompu en tournant le bouton dans le sens horaire jusqu'à la position d'arrêt.

Remarque:

Lorsque l'appareil est éteint, vérifiez toujours que les boutons sont en position d'arrêt.

Remarque:

Si il n'y a pas d'alimentation, il est possible d'allumer les brûleurs avec des allumettes, positionner le bouton sur la position haute

Remarque:

Si la flamme devrait éteindre accidentellement, la valve de sécurité arrêtera automatiquement l'alimentation en gaz, après 20 - 30 secondes.

Pour rétablir le fonctionnement, tournez le bouton à la position d'arrêt.

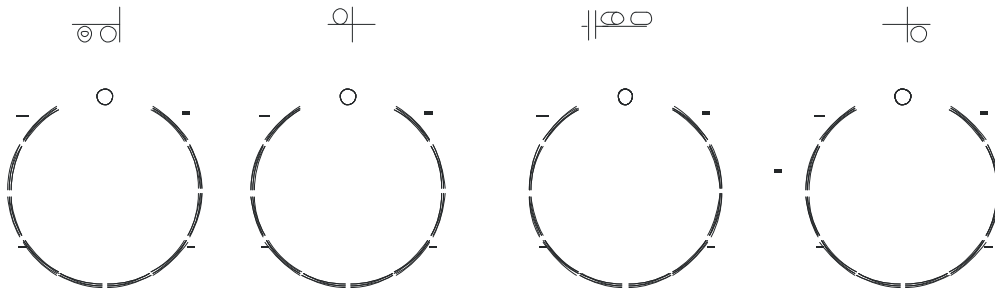


AVERTISSEMENT

- Ne utilisez pas de vaporisateur près de l'appareil en fonctionnement.
- Ne Pas placer des pots instables sur le brûleur pour éviter de basculer ou de débordement. -
- Toujours Couper le gaz si le déplacement d'un pot loin de l'appareil.
- Pendant La cuisson avec de la graisse ou de l'huile, il faut avoir plus d'attention, car ces substances peuvent prendre feu quand surchauffé.

I - Panneau de commande de la surface de cuisson en céramique

Commandes de la surface de cuisson en céramique 60/76cm.



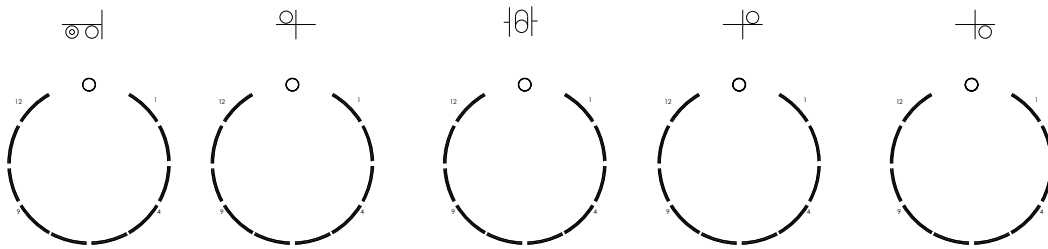
Commutateur contrôle élément avant gauche
En tournant le bouton dans le sens des aiguilles d'une montre, active la plaque chauffante totale.

Commutateur contrôle l'élément arrière gauche

Commutateur contrôle l'élément arrière droite
En tournant le bouton dans le sens des aiguilles d'une montre, active la plaque chauffante totale.

Commutateur contrôle élément avant droite

Commandes de la surface de cuisson 90cm.



Commutateur contrôle élément avant gauche
En tournant le bouton dans le sens des aiguilles d'une montre, active la plaque chauffante totale.

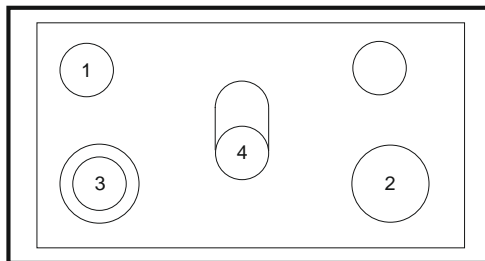
Commutateur contrôle l'élément arrière gauche

Commutateur contrôle élément centrale
En tournant le bouton dans le sens des aiguilles d'une montre, active la plaque chauffante totale.

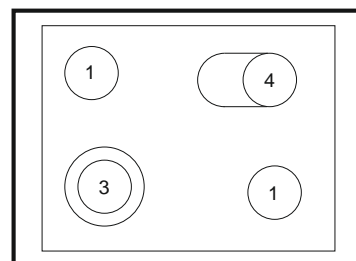
Commutateur contrôle l'élément arrière droite

Commutateur contrôle élément avant droite

90cm. range



60/76cm. range



- | | | | | | |
|----------------------------|-------|-------|----------------------------|-----------|------------|
| 1. Hi-lite heating element | 145mm | 1200W | 3. Hi-Lite heating element | 12/2100mm | 750/2200W |
| 2. Hi-Lite heating element | 180mm | 1800W | 4. Hi-Lite heating element | 12/2100mm | 1400/2200W |

Pour faire fonctionner l'unité (zone intérieure) et double séparée (zone externe + interne) suivre cette procédure:

REMARQUE: Sur les éléments à double zone de réglage 12 a 2 positions.

Zone singulaire

– tourner le dans le sens horaire pour choisir la puissance de la position 1 à 12.

Zone double

- Tourner le bouton de commande vers la droite de 1 à 12 comme ci-dessus, puis par la position 2 - un clic se fait entendre (**Ne pas tourner le bouton de commande tout le chemin à la position OFF car cela pourrait endommager l'interrupteur de commande et éteindre l'appareil**). Ensuite, tournez le bouton de commande vers l'arrière (vers la gauche) la sélection du niveau de 1 à 12 comme avant de pouvoir. Cela permettra d'activer à la fois intérieure et zones extérieures en même temps pour une puissance maximale.

Pour éteindre

Tourner le buton sur la position OFF.

Important Note:

NE PAS tourner le boutons dans le sense contraire des aiguille d'horologe de la postion off car cela pourrait endommager le mécanisme de contrôle - faire fonctionner des zones simple et double SELON strictement aux instructions ci-dessus.

L - Fonctions de cuisson en vitrocéramique



AVERTISSEMENT

Si la surface est fêlée, éteindre l'appareil pour éviter tout risque de choc électrique, les tables de cuisson en vitrocéramique ou en matériau similaire qui protègent les parties sous tension.

Lors de l'utilisation des appareils deviennent chaudes. Des précautions doivent être prises pour éviter toucher les éléments chauffants de plaques de cuisson et à l'intérieur du four. Les parties accessibles peuvent devenir chaudes pendant l'utilisation. Les jeunes enfants doivent être tenus à l'écart.

Toutes les opérations relatives à l'installation et le raccordement électrique doivent être effectuées par un technicien qualifié, conformément aux instructions et à la réglementation locale.

Les instructions spécifiques sont décrites dans la section du manuel pour le programme d'installation, section A.

NOTE:

- Utilisez seulement des casseroles à fond suffisamment épaisse ou égale à pas beaucoup plus grande que la zone sélectionnée (fig.1)
- Pour éviter de rayer le dessus en verre céramique, les ustensiles de cuisine ne doit pas avoir une base rugueuse
- Ne mettez pas la zone électrique sans la batterie de cuisine sur la zone.
- Ne pas faire cuire tous les aliments directement sur la zone chaude. Évitez les débordements de liquide et doivent-ils se produire propre, loin rapidement.
- L'appareil ne doit pas être actionné au moyen d' minuterie externe ou séparés système de commande à distance.
- Désactivez la zone quelques minutes avant le temps nécessaire, ce qui permet à la chaleur résiduelle de la zone à la fin de la cuisson.

Le voyant sur le panneau de commande est activée lorsque au moins un élément est allumé. L'indicateur de chaleur résiduelle sur la surface de cuisson allume lorsque la température de chaque zone est supérieure à 50°C.

Nettoyage

Enlevez la graisse lourde ou déversements soigneusement de la surface de cuisson avec le grattoir de verre céramique.

Ensuite, nettoyer la zone de chauffage soigneusement avec une serviette de papier et de produits de nettoyage en céramique pour la prise en charge correcte de votre appareil. Ne jamais utiliser d'éponge abrasive ou des détergents chimiques agressifs tels que aérosol ou détachants four.

Un nettoyage régulier peut être réalisé avec un chiffon humide. Liquide vaisselle et du vinaigre peuvent également être utilisés.

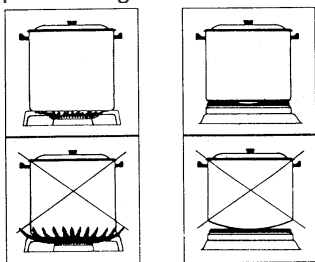
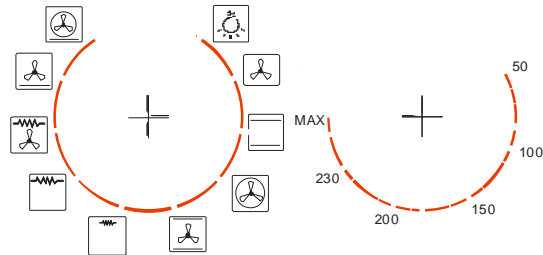


FIG-1

M - Fonctions du four et panneau de commande

Panneau de commande:



Tiroir chauffant et élément chauffante dans le four 76cm.



Ce commutateur contrôle le élément de réchauffement dans le fond élément du four (200 watts)



Ce commutateur contrôle le élément de réchauffement dans le tiroir (200 watts)

Tiroir chauffant 90cm.



Ce commutateur contrôle le élément de réchauffement dans le tiroir (200 watts)

L'élément de chauffage du tiroir et du four chauffe en continu jusqu'à ce qu'elle atteigne 75 ° C et cette température est maintenue pendant tout le processus de réchauffage au besoin



NOTE: Les éléments de réchauffement doit être désactivé manuellement
Lors de l'utilisation des appareils deviennent chaudes. Des précautions doivent être prises pour éviter toucher les éléments chauffants de plaques de cuisson et à l'intérieur du four. Les parties accessibles peuvent devenir chaudes pendant l'utilisation. Les jeunes enfants doivent être tenus à l'écart.

Modes de cuisson et instructions



NOTE: Fonctions de cuisson varient d'un modèle à l'autre - Ce qui suit est une description des fonctions qui sont disponibles et tout ou partie de ces fonctions seront inclus sur le produit que vous avez acheté.

Le tableau suivant résume les paramètres de fonctionnement de chaque mode de cuisson.

Ecran description	Function four	Element grill	Element supérieur	Element inférieur	Elément circulaire	Lampe four	Moteur de ventilateur
On	lumière					X	
Pr01	Décongélation			X	X	X	X
Pr02	Mode four conventionnel		X	X		X	
Pr03	Mode chaleur tournante				X	X	X
Pr04	Mode à ventilation (fan assist)		X	X	X	X	X
Pr05	Grill	X				X	
Pr06	Double grill	X	X			X	X
Pr07	Double grill + moteur				X	X	
Pr08	Mode Boulangerie			X	X	X	X
Pr09	Pizza mode			X	X	X	X

PRÉCHAUFFAGE

Il n'est pas essentiel de préchauffer le four, mais vous obtiendrez de meilleurs résultats si vous le faites, particulièrement pour les gâteaux et pâtisseries. Les autres mets cuiront aussi bien, mais prendront plus de temps si le four n'est pas préchauffé.

Pour préchauffer plus rapidement le four, sélectionnez le mode Pizza et la température désirée, et dès que le four a atteint le niveau requis, introduisez le mode de cuisson et les fonctions requises pour la tâche.

Pour préchauffer le four :

- 3- Entrez le mode requis pour le préchauffage.
- 4- Réglez le four à la température désirée.

Guide de préchauffage (pour un réglage à 180°C)

Mode de cuisson	Temps de préchauffage
FOUR CONVENTIONNEL	15-20 MINUTES
FOUR À VENTILATEUR	15-20 MINUTES

NOTE : Tout aliment ou ustensile de cuisine placé dans le four durant le préchauffage affectera le temps du préchauffage. Le temps de préchauffage peut aussi varier selon les installations.

MISE EN GARDE

Si vous utilisez un autre mode de cuisson pour un préchauffage rapide, assurez-vous de régler le mode de cuisson désiré avant de placer les aliments dans le four.

CONSEIL : Pour contrebalancer la perte de chaleur suite à l'ouverture du four pour y placer les aliments, préchauffez le four à 10-20°C plus haut, puis réduisez la température de votre cuisson.

Préchauffez toujours le four quand vous faites cuire plusieurs plats et mets à la fois.

Guide de rôissage. Les tableaux qui suivent ne sont que des guides. Les températures et les temps de cuisson peuvent varier selon les goûts individuels.

Type de viande 450 gramme. = 1lb (Approx.)	Coupes de viande	Temps par lb	Température du four °C
Boeuf	Côtes, surlonge roulée, haut de longe, surlonge New York	60 minutes pour 2lbs 40 minutes pour 2lbs	180 ⁰ – 200 ⁰ 180 ⁰ - 200 ⁰
Veau	Épaule ou patte (avec os ou roulé)	40-50 minutes pour 2lbs.	180 ⁰ - 200 ⁰
Agneau	Patte, épaule (longe ou roulé)	40-50 minutes pour 2lbs	180 ⁰ - 200 ⁰
Porc	Longe de patte	90 minutes pour 2lbs.	220 ⁰ -230 ⁰ / 180 ⁰ -200 ⁰

Les pattes de porc doivent être cuites à une température plus élevée pendant les 15-25 premières minutes, puis réduisez la température pendant le reste de la cuisson.

Type de volaille	Grandeur du morceau de volaille	Temps par lb	Température du four °C
Poulet	Entier ou en morceaux	30 minutes par lb.	180 ⁰ - 200 ⁰
Canard	3lb – 4.1lb	30 minutes par lb. + 35 minutes supp.	180 ⁰ - 200 ⁰
Dinde	5.4lb – 21lb	40-50 minutes par lb. + 35 minutes supp.	180 ⁰ - 200 ⁰

Les dindes doivent être bien badigeonnées et retournées durant la cuisson.

Type de poisson	Coupes de poisson	Temps par lb	Température du four °C
Poisson	Entier ou en filets	10 minutes par lb.	170-190°C

En Mode Four Conventionnel, le poisson doit être couvert pendant les premiers ¾ du temps de cuisson afin qu'il retienne son humidité.

Guide de cuisson des produits de boulangerie.

Les tableaux qui suivent ne sont que des guides. Les températures et les temps de cuisson peuvent varier selon les goûts individuels.

Température °C	Temps (général)	Produits de boulangerie
130 ⁰ et en-dessous	Très lent	Petites meringues, pavlova, crème anglaise, réchauffement
130 ⁰ - 150 ⁰	Lent	Gâteau aux fruits riche ou léger
150 ⁰ - 180 ⁰	Moyen	Mets cuisinés, gâteau au beurre
180 ⁰ - 200 ⁰	Moyennement chaud	Petits gâteaux au beurre, gâteau éponge, biscuits, pain de viande, poisson cuit
200 ⁰ - 230 ⁰	Chaud	Rouleau suisse, pâtés, vol-au-vent, croûte
230 ⁰ et plus	Très chaud	Scones, Choux à la crème



AVERTISSEMENT

Lorsque vous utilisez un mode de cuisson alternatif pour préchauffage rapide, veillez à mettre le mode de cuisson de votre réglage requis avant de placer des aliments dans le four.

ASTUCE:

Pour permettre la perte de chaleur en plaçant la nourriture dans le four, préchauffer le four 10-20 ° C de plus et puis réduire la température à la température de cuisson souhaitée.

Toujours préchauffer le four lors de la cuisson de plusieurs plats à la fois.

Guide DE CUISSON. Ces tableaux de cuisson sont donnés à titre indicatif seulement. Température, le mode de cuisson et temps de cuisson peuvent varier en fonction des goûts individuels.

Type de viande Env. 450 grammes = 1lb	la viande	temps par lb (allow)	température du four °C
Boeuf	Prime Rib, surlonge roulé boule de macreuse, top loin, New York Bande de surlonge	30 minutes per 1lb	180 ⁰ – 200 ⁰
		20 minutes per 1lb	180 ⁰ - 200 ⁰
Bovine	Épaule ou la jambe (avec os ou laminés)	20-25 minutes per 1lb	180 ⁰ - 200 ⁰
Agneau	Jambe, épaule (longe ou laminés)	20-25 minutes per 1lb	180 ⁰ - 200 ⁰
Porc	Leg longe	45 minutes per 1lb	220 ⁰ -230 ⁰ / 180 ⁰ -200 ⁰

Cuisse de porc doit être cuit à une température plus élevée pour les 15-25 premières minutes puis réduits à basse température pour temps de cuisson restant.

Type de volaille	Taille de la viande	temps par lb (allow)	température du four °C
Poulet	Entiers ou en morceaux	30 minutes per lb.	180 ⁰ - 200 ⁰
Canard	3lbs – 4.1lbs	30 minutes per lb. + 35 minutes extra	180 ⁰ - 200 ⁰
Dinde	5.4lbs – 21lbs	40-50 minutes per lb. + 35 minutes extra	180 ⁰ - 200 ⁰

Dindes doivent être bien arrosés et tournés pendant la cuisson

Type de poisson	Taille de poisson	temps par lb	température du four °C
Poisson	Entiers ou filets	10 minutes per lb.	170-190°C

En mode four conventionnel, les poissons devraient être couverts pour la première ¾ du temps de cuisson pour conserver l'humidité.

Guide de cuisson. Ces tableaux de cuisson sont donnés à titre indicatif seulement. Fois de la température et de cuisson peuvent varier en fonction des goûts individuels.

température du four °C	temps aproximal	viandes
130 ⁰ – under	très lent	Les petites meringues, pavlova, crème, réchauffage
130 ⁰ - 150 ⁰	lent	Gâteau aux fruits riche, gâteau aux fruits légère
150 ⁰ - 180 ⁰	modéré	Casseroles, gâteau au beurre
180 ⁰ - 200 ⁰	modérément chaud	Gâteaux avec peu de beurre, des biscuits, pain de viande, poisson cuit au four
200 ⁰ - 230 ⁰	chaud	Swiss roll, gâteaux de Patty, gâteaux de rock, pâte brisée
230 ⁰ – and over	Tres chaud	Brioche, Pâte à choux



DÉCONGÉLATION

Vous pouvez décongeler n'importe quel aliment à l'aide du Mode Convection-Ventilation (Fan Forced Convection). Il est très important de ne pas sélectionner de température (0 degré) quand vous utilisez cette fonction.

En règle générale, le temps de décongélation de la viande est d'environ 15-20 minutes par kilogramme.



MODE FOUR CONVENTIONNEL

Dans ce mode traditionnel, la chaleur du four provient du haut du four ainsi que du bas et convient surtout quand on utilise une seule étagère pour la cuisson. Pour obtenir de meilleurs résultats, placez vos aliments afin que le haut de votre plat soit au centre du four.

Si vous prévoyez utiliser plus qu'une étagère, préchauffez le four et placez les étagères afin de permettre le plus de circulation de la chaleur que possible.

Selon les aliments à cuire, vous aurez probablement à réarranger la position des plats pendant la cuisson.

- 5- Ajustez les étagères du four aux positions désirées.
- 6- Choisissez le Mode Conventionnel.
- 7- Réglez le four à la température désirée.
- 8- Quand la cuisson est achevée, éteignez le four.

CONSEIL :

Si vous utilisez de l'eau pendant la cuisson (eau placée dans un plat à l'intérieur du four) l'eau s'évaporerait dans le four. Mais si vous employez le Mode ventilation, le niveau de condensation sera réduit puisque toute la vapeur sera recirculée et s'évaporerait durant le cycle de cuisson.



NOTE: Position claire du four lorsque vous ouvrez la porte de la vapeur peut s'échapper rapidement.



MODE À VENTILATION - Four inférieur du four double

Dans ce mode à ventilation, la chaleur du four provient du haut du four ainsi que du bas et elle est ventilée pour mieux circuler dans le four et donner rapidement de meilleurs résultats. Ce mode convient à la boulangerie et à la cuisson de mets délicats, gâteaux, pâtisseries, biscuits, pâte à pain. Pour obtenir de meilleurs résultats, réglez le thermostat à 150-180 degrés – selon la recette utilisée.



PIZZA

Cette fonction est excellente lorsqu'on a besoin de préchauffer très vite le four. La puissance maximum est fournie au four quand on choisit la fonction Pizza et on peut ensuite sélectionner la fonction et la température appropriées pour la tâche désirée.

La fonction Pizza met en marche simultanément le ventilateur, l'élément du ventilateur et l'élément chauffant sous le four. Elle est très pratique pour les aliments qui requièrent une concentration de chaleur à la base, tandis que le haut cuit plus légèrement en même temps.

Nous recommandons cette fonction pour les pizzas et vous pourrez aussi la combiner avec notre pierre pour pizza (optionnelle)



MODE À CONVECTION/CHALEUR TOURNANTE

– **Mode le plus souvent utilisé pour la cuisine de tous les jours.**

Dans ce mode à convection, la chaleur du four provient de l'arrière du four et elle est ventilée pour mieux circuler dans le four et donner une cuisson plus uniforme à travers le four. Même si les températures de cuisson sont pratiquement les mêmes que celles des fours conventionnels, quand il s'agit de cycle de cuisson longs, le four à convection fonctionne plus rapidement et permet d'épargner temps et énergie

Placez toujours les aliments aussi près que possible du centre du four. Si vous utilisez plusieurs étagères en même temps, placez les moules et tôles en quinconce pour que la chaleur puisse circuler librement.

- 5- Ajustez les étagères du four aux positions désirées.
- 6- Choisissez le Mode FAN OVEN.
- 7- Réglez le four à la température désirée.
- 8- Quand la cuisson est achevée, éteignez le four.

CONSEIL :

Si vous prévoyez utiliser plus qu'une étagère, préchauffez le four. Selon les aliments à cuire, vous aurez probablement à réarranger la position des plats pendant la cuisson.



MODE GRIL COMPLET ET MI-GRIL

Le mode de cuisson Gril complet emploie la chaleur infrarouge provenant du haut du four, tandis que le mode Mi-gril n'emploie que la bande interne de l'élément du haut et convient mieux aux petites quantités; il est aussi moins énergivore.

Cette méthode de cuisson au gril est recommandée pour les durées courtes seulement (5 minutes et moins), comme par exemple pour les toasts. Pour les aliments plus gras ou qui nécessitent plus de 5 minutes de cuisson au gril, utilisez le mode FAN GRILL.

En mode GRIL, gardez toujours la porte du four fermée. Si vous ne fermez pas la porte, le panneau de commande risque de se décolorer avec le temps.

- 6- Commencez à faire griller vos aliments avec un **four froid** si possible.
- 7- Placez les aliments sur l'étagère et le plateau de gril fournis.
- 8- Positionnez l'étagère où vous préférez.
- 9- Choisissez le Mode GRILL et réglez le four à la température désirée.
- 10- Quand la cuisson est achevée, éteignez le four.



NOTE : L'élément du gril est contrôlé par le thermostat du four. Dès que la température du four atteint le degré sélectionné, l'élément se déconnecte jusqu'à ce que le four se soit assez refroidi, puis il recommencera à chauffer.



MODE GRIL À VENTILATION

Gril et ventilation se combinent pour offrir une chaleur directe et une circulation de l'air chaud, ce qui donne l'apparence et la saveur d'une vraie rôtisserie : un extérieur croustillant et une viande juteuse. La chaleur infrarouge directe de l'élément du gril est circulée par le ventilateur et facilite la cuisson. Les viandes doivent être placées aussi près que possible du centre du four.

Le Mode FAN GRILL a été mis au point pour remplacer le gril avec porte du four ouverte et offre les avantages suivants, comparativement au gril conventionnel :

- Les aliments sont généralement plus juteux.
- La saveur de la rôtisserie est rehaussée.
- Les fumées de la cuisson au gril passent par les événements du four.

Pour de meilleurs résultats, nous vous recommandons de retourner les viandes une seule fois.

- 1- En mode FAN GRIL, la porte du four doit rester fermée.
- 2- Placez les aliments sur l'étagère et le plateau de gril, aussi près que possible du centre du four (assurez-vous que l'étagère de gril est mise en position haute pour une meilleure circulation de l'air).
- 3- Choisissez le Mode FAN GRILL.
- 4- Réglez le four à la température désirée (voir note ci-dessous et référez-vous au Guide des températures du Mode FAN GRILL).
- 5- Quand la cuisson est achevée, éteignez le four.



NOTE : Un grand plateau à gril ou un plat à rôtissage trop grand peut restreindre la circulation de l'air dans le four. Afin d'empêcher l'humidité de se condenser dans les sections plus fraîches du four (en bas), préchauffez le four pendant 10 minutes, en Mode CONVENTIONAL OVEN ou HIGH BAKE, avant d'activer le gril Fan grill).

. Guide de cuisson au gril

Les tableaux de cuisson ne constituent qu'un simple guide. Les températures et la durée de la cuisson varient bien sûr selon les goûts individuels.

Type de viande/volaille/poisson	Température du four °C	Durée approximative de la cuisson
Poulet – Entier	175 ⁰ - 185 ⁰	30 minutes par lb
En morceaux	185 ⁰ - 195 ⁰	15-20 minutes
Agneau - longe/Carré	175 ⁰ - 185 ⁰	25 minutes par lb
Côtelettes – à point/saignant	175 ⁰ - 185 ⁰	10-12 minutes
Côtelettes – à point	175 ⁰ - 185 ⁰	14-16 minutes
Boeuf - Steak – saignant	175 ⁰ - 185 ⁰	6-8 minutes
Steak – à point	175 ⁰ - 185 ⁰	8-12 minutes
Steak – bien cuit	175 ⁰ - 185 ⁰	12-15 minutes
Côtelettes de porc– à point/saignant	190 ⁰ - 200 ⁰	6-10 minutes
à point	175 ⁰ - 185 ⁰	10-12 minutes
bien cuit	175 ⁰ - 185 ⁰	12-15 minutes
Bacon	190 ⁰ - 200 ⁰	5-6 minutes
Saucisses - minces	175 ⁰ - 185 ⁰	8-10 minutes
épaisses	175 ⁰ - 185 ⁰	12-14 minutes
Filets de poisson– roulé	175 ⁰ - 185 ⁰	10-12 minutes
En filet – épais	175 ⁰ - 185 ⁰	10-12 minutes
Entier	190 ⁰ - 200 ⁰	15-30 minutes
Légumes tranchés	180 ⁰ - 190 ⁰	20-30 minutes
Tomates en moitié	190 ⁰ - 200 ⁰	6-8 minutes
Mets à base de mie de pain	175 ⁰ - 185 ⁰	20-30 minutes
Pâtes alimentaires	175 ⁰ - 185 ⁰	20-30 minutes



MODE BOULANGERIE

Dans ce mode, la chaleur du four provient du bas du four et elle est ventilée pour mieux circuler dans le four et donner aux aliments une texture croustillante et sèche à l'extérieur, particulièrement quand il s'agit de Pizza, de pâtisserie ou autres mets où vous désirez que la base soit bien cuite. Le mode HIGH BAKE est aussi excellent pour réchauffer les aliments.

- 5- Ajustez les étagères du four aux positions désirées.
- 6- Choisissez le Mode HIGH BAKE.
- 7- Réglez le four à la température désirée.
- 8- Quand la cuisson est achevée, éteignez le four.

N - Nettoyage et entretien



1. Nettoyage et entretien

Il est essentiel de bien nettoyer et entretenir votre four si vous voulez qu'il conserve son aspect et sa durabilité.

NOTE : Si vous êtes sensible aux produits chimiques, prenez les mesures nécessaires pour vous protéger telles que porter des gants durant le nettoyage du four. Le nettoyage de routine doit toujours se faire quand le four est éteint, c'est-à-dire à la température ambiante.

N'utilisez jamais de produits acide ou caustiques, de poudres abrasives ou de tampons à récurer sur l'intérieur ou l'extérieur du four. Ces produits risquent de décolorer ou d'endommager le fini de l'appareil. Si un produit acide, caustique ou abrasif vient en contact avec le four, rincez immédiatement les surfaces à l'eau en faisant attention de ne pas vous blesser dans le cas où la surface serait chaude.

À chaque utilisation du four, il y aura des taches de sauce à la surface, des débordements de liquide, etc., et si ces aliments contiennent des substances acides ou des sucres, elles risquent de décolorer ou d'endommager le fini émaillé. L'intérieur du four en émail est robuste et résistant à l'usure et à la décoloration, mais pour lui conserver son bel aspect vous devez essuyer immédiatement ces dépôts. Si le four est encore chaud, essuyez quand même en prenant soin de ne pas vous brûler. Quand le four est complètement refroidi, lavez bien l'endroit affecté à l'eau tiède et avec un détergent doux non abrasif et rincez bien.

2. Entretien de l'acier inoxydable

Aucun métal n'est indestructible et si l'on veut conserver son fini et son bel aspect, il faut suivre les procédures suivantes :

Ne laissez jamais des articles en acier inoxydable non lavés. N'utilisez pas d'abrasif ou de tampon à récurer. Lavez plutôt fréquemment à l'eau tiède et séchez la surface avec une serviette en papier ou un chiffon doux. Vous pouvez ajouter un savon doux à votre eau, mais si vous en mettez trop, cela peut produire un dépôt trouble sur la surface, que vous pourrez faire disparaître en polissant l'acier. Le secret est de toujours utiliser une eau propre et de bien rincer la surface. Ne laissez jamais une surface en acier inoxydable sécher d'elle-même.

3. Posez vos ustensiles de cuisson seulement sur les étagères de four.

Les autres surfaces telles que les bordures ne sont pas totalement résistantes aux matériaux durs et à la chaleur et pourraient être endommagées par un tel usage.

5. Produits recommandés

Un détergent doux, de l'eau tiède et un chiffon propre et doux donnent de bons résultats pour un lavage normal. De l'ammoniaque diluée et de l'eau suffisent à enlever des résidus adhésifs ou des dépôts sur les surfaces. L'huile d'eucalyptus (en petite quantité) aide aussi à enlever des résidus adhésifs. Les produits à base d'alcool ne sont pas recommandés (ex. : méthylet, etc.). Vous pouvez aussi utiliser des produits et crèmes nettoyantes, sans abrasif, en petite quantité pour faire disparaître les graisses et les saletés. Après le lavage, rincez toujours la surface abondamment et essuyez avec un chiffon propre et doux.



Note : Pour les surfaces en acier inoxydable, AEG recommande les produits 3M ou Advance. D'autres marques de produits spécifiques pour l'acier sont aussi disponibles sur le marché. N'utilisez pas de tampons en laine d'acier ou autre tampons abrasifs. Ces tampons abrasifs endommageront le fini brossé de l'acier et leurs fibres de métal risquent laisser des traces de rouille. Les produits de polissage abrasifs ne sont pas recommandés non plus.



AVERTISSEMENT:

N'utilisez pas de produits nettoyants acides ou caustiques ou de produits abrasives sur l'intérieur ou l'extérieur de l'appareil.

6. Nettoyage de routine

Vérifiez que toutes les commandes sont à la position OFF et que le four est froid. Si la surface est en acier brossé, essuyez dans le sens du grain de l'acier.

Pour laver l'intérieur du four, ouvrez complètement la porte ou retirez-la (voir page suivante) pour avoir un meilleur accès à l'intérieur. Vous pouvez soulever et sortir les étagères et les supports d'étagères en dévissant les vis à main, puis les laver manuellement ou au lave-vaisselle.

Si vous utilisez des produits nettoyants pour four, assurez-vous qu'ils ne sont pas caustiques, suivez les instructions du fabricant et évitez tout contact avec les éléments chauffants, le joint en caoutchouc de la porte et les surfaces extérieures.

Après le lavage, rincez abondamment et essuyez avec un chiffon propre et doux.

Ne pas utiliser de nettoyants abrasifs ou de grattoirs métalliques pour nettoyer la vitre de la porte du four car ils peuvent rayer la surface, ce qui peut entraîner l'éclatement de la vitre.



NE PAS UTILISER DE NETTOYEUR VAPEUR PORTABLE POUR NETTOYER LE FOUR

Panneaux auto-nettoyants

LE FOUR est équipé de 3 panneaux (2 côtés et à l'arrière). Ils sont fixés sur les côtés par retirer l'ensemble des guides de crémaillère et de placer les panneaux de nettoyage autonomes contre le côté du four.

Le panneau arrière est fixé avec des vis, veiller à ce que le côté « rugueux » vers l'extérieur. Ces revêtements sont « auto-nettoyage » au cours de la cuisson. Si résidu sur eux après la cuisson, vider le four de la nourriture, et de supprimer toutes les étagères et pan, et tourner le sélecteur de four conventionnel (en haut et en bas élément) et le thermostat sur MAX; 15-20 minutes devraient suffire pour nettoyer les panneaux en utilisant cette méthode.

Comment les panneaux autonettoyants fonctionnent.

Les panneaux four auto-nettoyant passent par un processus d'émaillage spécial qui crée finalement une surface rugueuse (c'est le côté qui doit faire face vers l'extérieur dans le four). En raison de la structure de la surface, il est extrêmement poreuse et attire l'oxygène. Lorsque les éclaboussures de graisse frappent cette surface se propage immédiatement. De cette façon, l'oxydation immédiate de la graisse se produit, et finalement elle disparaît quand le four est d'usage général, à des températures de cuisson standard. Les panneaux autonettoyants sont situés sur les côtés et à l'arrière du four, et sont conçues pour faire face aux taches grasses de manière très efficace. Pour les taches sur le fond du four, sont des causes habituelles de sucre ou d'amidon débordements.

Les panneaux de nettoyage auto sont fabriqués en utilisant un procédé d'émaillage spécial

La base du four doit nettoyer en utilisant de l'eau savonneuse

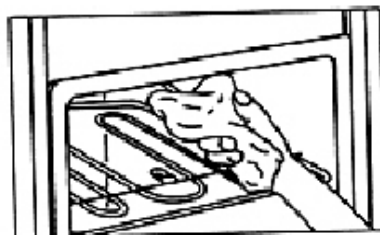
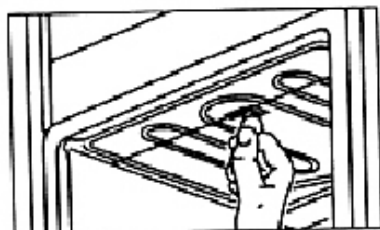
ATTENTION: Ne jamais utiliser des films de silicone (à ongles ou nettoyants) sur panneaux autonettoyants - ils seront rendus inutiles. De même, ne jamais essayer de laver avec un détergent, ou utiliser de nettoyants abrasifs sur les panneaux

Elément du grill amovible

En dévissant une seule vis à l'avant de l'élément chauffant du haut du four, le grill se détachera et vous pourrez facilement laver la partie supérieure du four. Après le nettoyage, il suffit de replacer l'élément et de remettre la vis en place. Pour éviter la production de fumée, nettoyez régulièrement les éclaboussures d'huile et de graisse sur l'élément, à l'aide d'un chiffon propre et humide.



NOTE: ce que l'écrou de la lame de ventilateur a un filetage à gauche.



Pour fours 60/76cm. seulement



REMARQUE: L'écrou de la lame du ventilateur a un fil de la main gauche.

Retrait de la porte du four (modèles à porte escamotable seulement)

On peut enlever la porte, mais nous vous recommandons de faire appel à un technicien.

Pour enlever la porte du four :

- 2- Ouvrez complètement la porte et alignez les trous entre le four du haut et du bas. Insérez la goupille fournie.
 - 3- Soulevez légèrement la porte en tenant les côtés de la porte et en vous assurant que la goupille de sécurité demeure sur les crochets. Cela devrait décrocher la charnière du cadre du four.
 - 4- Continuez à soulever la porte tout en la tirant vers vous. Lors du déplacement de la porte, ne délogez pas la goupille. Si la goupille est délogée, la charnière devra être fermée à la main et la goupille ré-insérée sur le crochet, avant de replacer la porte du four.
-
- 1- Tenez la porte penchée, tout près du four, faites glisser les charnières dans le cadre du four en vous assurant que de chaque côté, le bras recourbé du haut s'imbrique dans la fente du haut et que le bras du bas s'imbrique dans la fente du bas.
 - 2- Poussez les charnières aussi loin que vous le pouvez et assurez-vous que le bras du bas s'engage dans la plaque montée sur le cadre du four.
 - 3- Ouvrez la porte complètement et enlevez les goupilles de sécurité (conservez-les pour usage futur). Vous aurez peut-être à pousser vers le bas les attaches, si elles ne se décrochent pas d'elles-mêmes. La porte devrait maintenant s'ouvrir normalement.

NOTE: Appliquer pression vers le bas sur la porte pour aider à éliminer les broches ..



Socle amovible

Pour nettoyer le sol sous la cuisinière est complétée il faut enlever le socle de Le socle est muni de deux clips qui correspondent facilement sur les pieds

Vous pouvez accéder à le socle en étendant le tiroir-réchaud et atteindre dessous pour tirer doucement le socle avant pour libérer les clips.

Remonter le socle après l'opération de nettoyage en appuyant sur les clips sur les pieds de la cuisinière



**AVERTISSEMENT:**

Assurez-vous que l'appareil est ensorcelé avant de remplacer l'ampoule pour éviter la possibilité de blessures

Remplacement ampoule 76/90cm. range

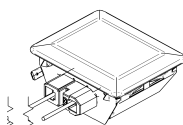
5- Le globe de l'ampoule se trouve derrière le couvercle en verre et est un type de vis-à.

Pour changer un globe de lumière:

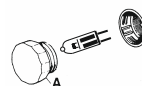
- 1 - levier doucement le couvercle en verre seulement.
- 2 - Retirez le globe de lumière et pousser dans un globe de remplacement.
- 3 - Remettre le couvercle en verre s'assurer qu'il s'adapte correctement en place.

**NOTE:**

Ampoule recommandée: halogène 40 Watt

**Remplacement ampoule 60cm. cuisiniere**

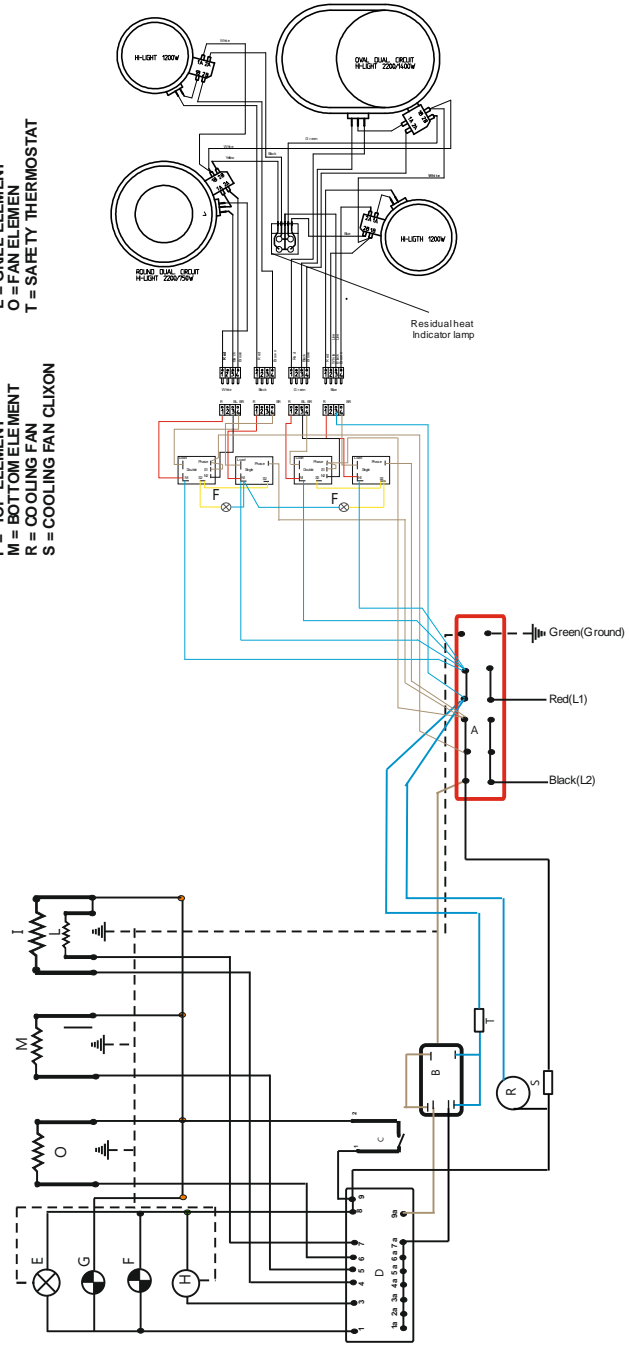
- 1- Dévissez le couvercle de verre
- 2- Retirez le globe et pousser un globe de remplacement
- 3- Vissez le couvercle en verre en vous assurant qu'il est en place correcte

**P - Guide de dépannage**

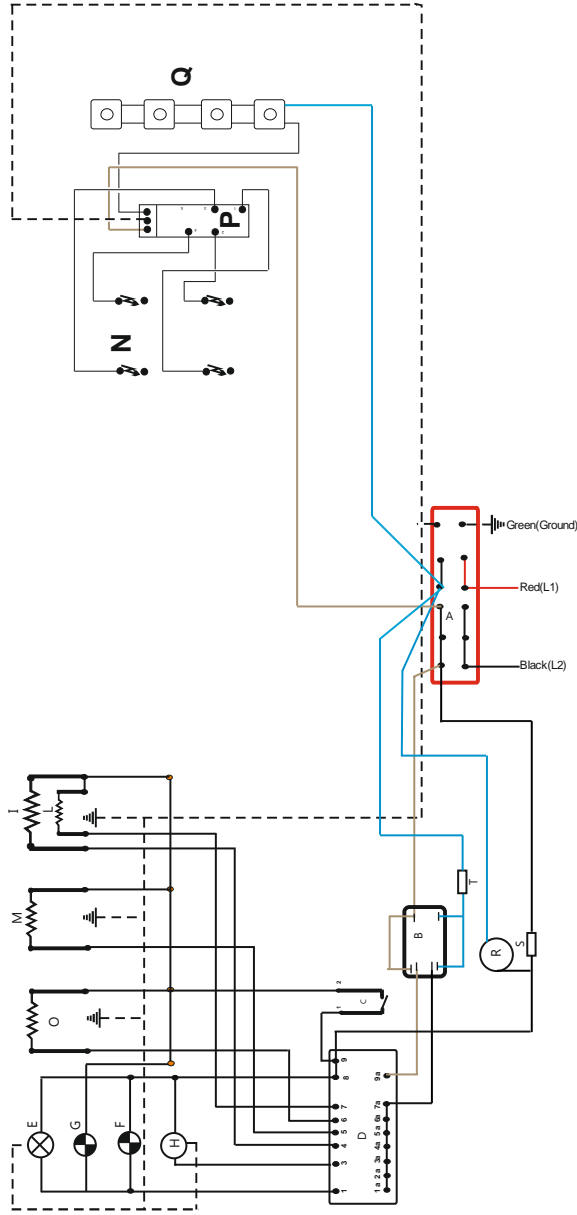
Symptôme	Remède
Le four n'est pas alimenté électriquement	La ligne principale a-t-elle été déconnectée ? Le fusible ou le disjoncteur ont-ils défailli ? Vérifiez le boîtier du disjoncteur.
Le four est alimenté électriquement, mais il ne fonctionne pas	Le four est peut-être en mode AUTO (voir cuisson programmée AUTO)
Le four est allumé, mais il ne chauffe pas	Le four est peut-être en mode AUTO. La température a été réglée à OFF Le Mode est en sélection incorrecte
L'afficheur clignote, il est seulement illuminé en partie, ou passe d'un cycle à un autre	Arrêtez le four en le mettant à OFF, attendez 30 secondes et remettez-le en marche (ON). Remettez l'horloge à l'heure.

ELECTRICAL WIRING DIAGRAM FREE STANDING COOKER 60 CM. CERAMIC COOKTOP

- A = TERMINAL BLOCK
 - C = OVEN THERMOSTAT
 - E = OVEN LAMP
 - G = YELLOW PILOT LAMP
 - I = TOP ELEMENT
 - M = BOTTOM ELEMENT
 - O = FAN ELEMENT
 - R = COOLING FAN
 - S = COOLING FAN CLIXON
- B = ELECTRONIC TIMER
 - D = OVEN SWITCH
 - F = RED PILOT LAMP
 - H = FAN MOTOR
 - L = GRILL ELEMENT
 - O = FAN ELEMENT
 - T = SAFETY THERMOSTAT

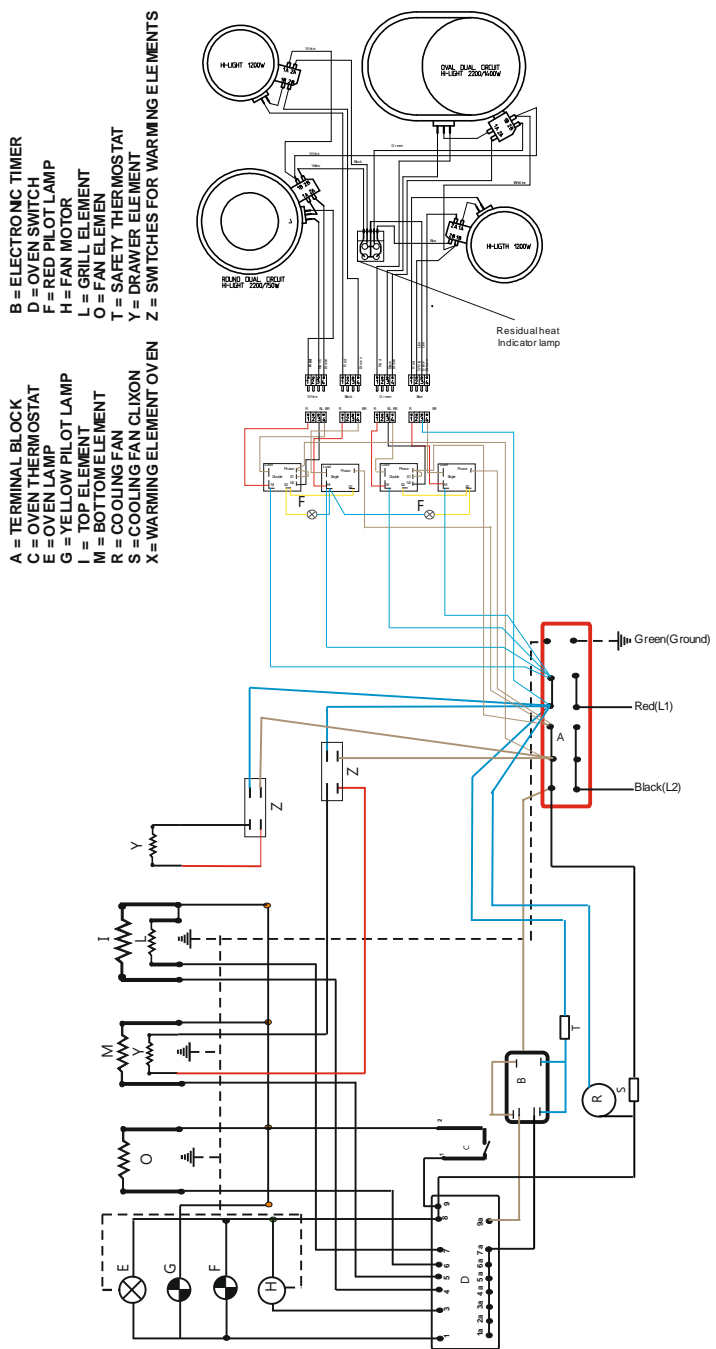


ELECTRICAL WIRING DIAGRAM FREE STANDING COOKER 30" GAS COOKTOP

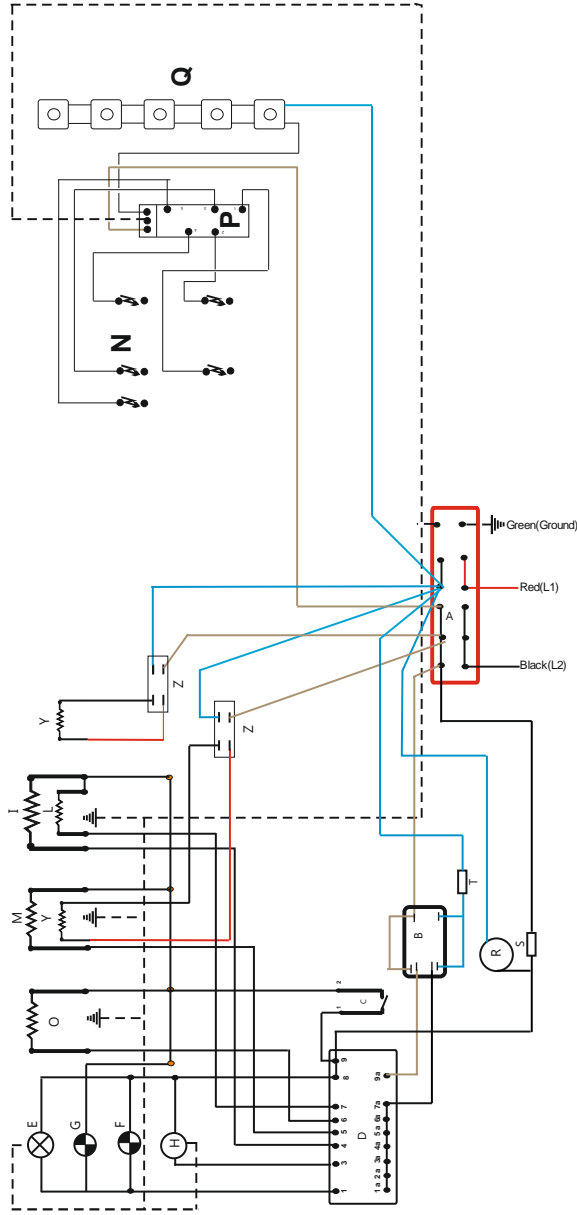


- A = TERMINAL BLOCK
- B = ELECTRONIC TIMER
- C = OVEN THERMOSTAT
- D = OVEN SWITCH
- E = YELLOW PILOT LAMP
- F = RED PILOT LAMP
- G = YELLOW PILOT LAMP
- H = FAN MOTOR
- I = FAN ELEMENT
- M = BOTTOM ELEMENT
- N = SPARK GENERATOR
- O = FAN ELEMENT
- P = SPARK GENERATOR
- Q = COOLING FAN
- R = COOLING FAN
- S = SWITCH CHAINE
- T = SAFETY THERMOSTAT

ELECTRICAL WIRING DIAGRAM FREE STANDING RANGE 30" CERAMIC COOKTOP

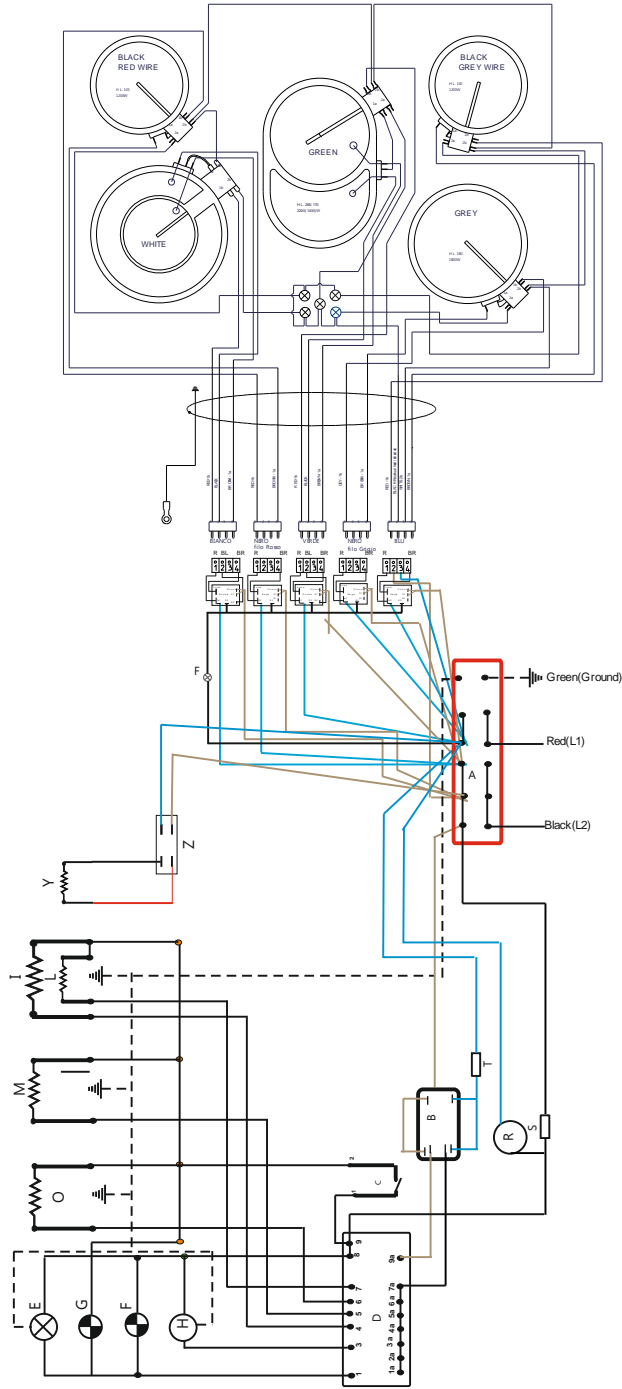


ELECTRICAL WIRING DIAGRAM FREE STANDING COOKER 30" GAS COOKTOP



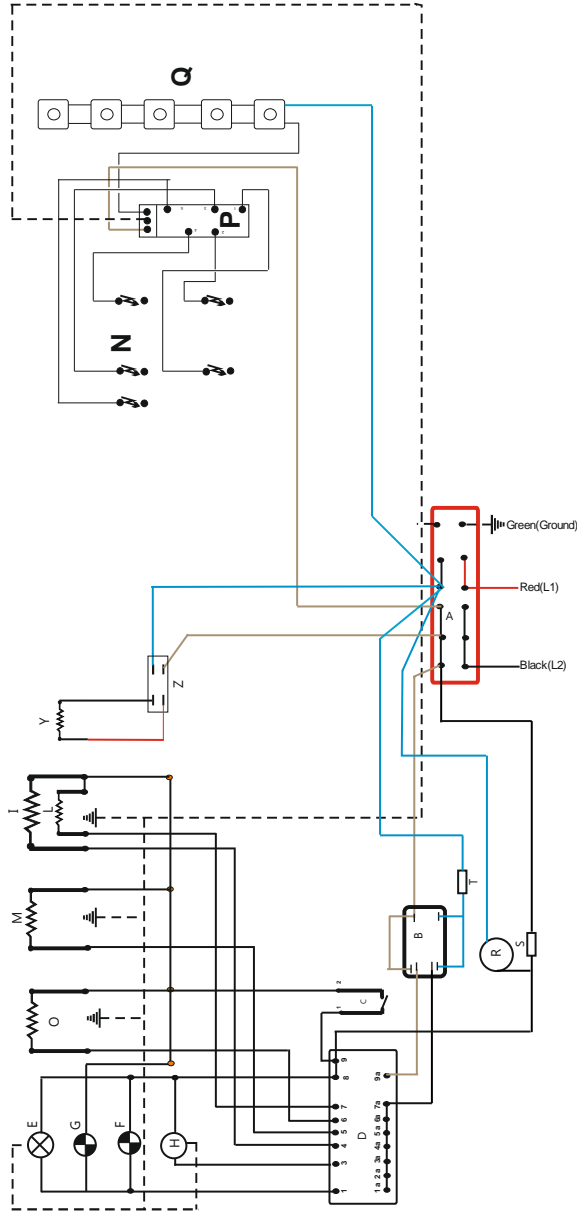
- A = TERMINAL LOCK
- B = ELECTRONIC TIMER
- C = OVEN THERMOSTAT
- D = OVEN SWITCH
- E = OVEN LAMP
- F = RED PILOT LAMP
- G = YELLOW PILOT LAMP
- H = FAN MOTOR
- M = BOTTOM ELEMENT
- O = FAN ELEMENT
- Q = SWITCH CHAIN
- S = SAFETY THERMOSTAT
- Z = SWITCHES FOR WARMING ELEMENT

ELECTRICAL WIRING DIAGRAM FREE STANDING COOKER 90 CM. CERAMIC COOKTOP



- A = TERMINAL BLOCK
- B = ELECTRONIC TIMER
- C = OVEN THERMOSTAT
- D = OPEN SWITCH
- E = YELLOW PILOT LAMP
- F = FAN MOTOR
- G = YELLOW PILOT LAMP
- H = GRILL ELEMENT
- I = TOP ELEMENT
- L = GRILL ELEMENT
- M = BOTTOM ELEMENT
- O = FAN ELEMENT
- R = COOLING FAN
- S = SAFETY THERMOSTAT
- T = FAN ELEMENT
- Y = DRAWER ELEMENT
- Z = SWITCH FOR WARMING ELEMENT

ELECTRICAL WIRING DIAGRAM FREE STANDING COOKER 90 CM. GAS COOKTOP



- A = TERMINAL BLOCK
- B = ELECTRONIC TIMER
- D = OVEN THERMOSTAT
- E = OVEN LAMP
- G = YELLOW PILOT LAMP
- I = TOP ELEMENT
- M = BOTTOM ELEMENT
- O = FAN ELEMENT
- H = FAN MOTOR
- N = SPARK GENERATOR
- P = SPARK CANDLE
- T = SAFETY THERMISTOR
- Y = DRAWER HEATING ELEMENT
- Z = SWITCH FOR WARMING ELEMENT
- R = COOLING FAN
- S = COOLING FAN CLIXON
- L = GRILL ELEMENT

Q - Garantie

Les produits **Porter&Charles** sont conçus et fabriqués selon les normes de qualité les plus élevées et nous nous attendons à ce que vos appareils ménagers vous offrent de nombreuses années de service sans aucun problème. Chacun de nos appareils est protégé par une garantie de 2 ans à partir de la date d'achat.

Pour une description complète des modalités et conditions de la garantie, référez-vous à notre politique de garantie.

La couverture de garantie concerne le coût des pièces et de la main d'œuvre dans les capitales et les régions métropolitaines. Nous nous réservons le droit de facturer directement pour les dépenses de manutention à l'extérieur des régions métropolitaines.

Les produits **Porter&Charles** sont soutenus par un système national de service.

N'hésitez pas à appeler notre Service à la clientèle pour toute question ou commentaire.

Veillez conserver votre facture Porter&Charles car vous en aurez besoin pour identifier votre appareil en cas de besoin d'assistance ou de service. Agrafez tout simplement votre facture à ce manuel pour référence rapide et pratique.

Porter&Charles
871 Cranberry Court
Oakville, ON L6L 6J7
Canada

Tel: 905-829-3980
Fax: 905-829-3985
Email: marketing@euro-line-appliances.com

Service et pièces de rechange :

EURO-PARTS
1-800.678-8352

Important : Veuillez inscrire les détails de votre achat ci-dessous et les envoyer ou les télécopier à : **Porter&Charles**

-----coupez le long de cette ligne -----

Nom : _____ **No de téléphone :** _____

Adresse : _____

Ville/banlieue : _____ **Province :** _____ **Code postal:** _____

Lieu d'achat : _____ **Date d'achat** _____

Appareils achetés: _____

Numéro(s) de série: _____