

FEC60B2

24" STAINLESS STEEL ELECTRIC RANGE



FEC60B2

24" Stainless Steel Electric Range



Porter & Charles ranges offer exceptional quality and performance. Aesthetic highlights include clean lines and attention to detail, from the ergonomic handle to the interior light.

Hand assembled and hand finished using the highest quality stainless steel, the quality is not only visual but can be felt. All ranges were designed with the user in mind, with features to make cooking more enjoyable and clean-up as simple as possible.

RANGE FEATURES

- 24" (60cm) stainless steel slide-in electric range
- 63L(2.22cu.ft)oven capacity
- 8 cooking functions including True Fan convection
- ThermiC° hot air cooking technology for perfect cooking
- Plus triple glazed door
- 4 electric burners, 2 expandable
- Residual heat indicator
- Diamond glazed interior
- Catalytic low temperature self cleaning liners
- Fully programmable clock/timer with delay start and finish

COOKTOP FEATURES

- 4 x Hi-Lite Zones
 - 2 x 145mm Hi-lite elements – 1, 200 Watts
 - 1 x 180mm Hi-lite element – 1, 800 Watts
 - 1 x 210mm Hi-lite element – 2, 200 Watts

OVEN FEATURES

- 63L(2.22cu.ft)oven capacity
- Defrost
- Conventional Oven Cooking
- Fan Assist Cooking
- High Bake Cooking
- TrueFan Convection Cooking
- Fan Assist Grill
- Full Grill
- Half Grill
- Pizza mode

ELECTRICAL REQUIREMENTS

- 208 / 240 Volt 60Hz, 40AMP
- PORTER&CHARLES ovens are supplied with a 4' long electrical cable and plug, located from the bottom right in the rear of the range.

RANGE DIMENSIONS (Inch/mm)

- D: 22 ⁵/₈" x W: 23 ⁵/₈" x H: 33 ⁷/₈" - 36 ¹/₄"

CUT OUT DIMENSIONS (Inch/mm)

- W: 23 ¹¹/₁₆" x H: 24 ³/₁₆"

Specifications

FEC60B2



RANGE DIMENSIONS (Inch/mm)

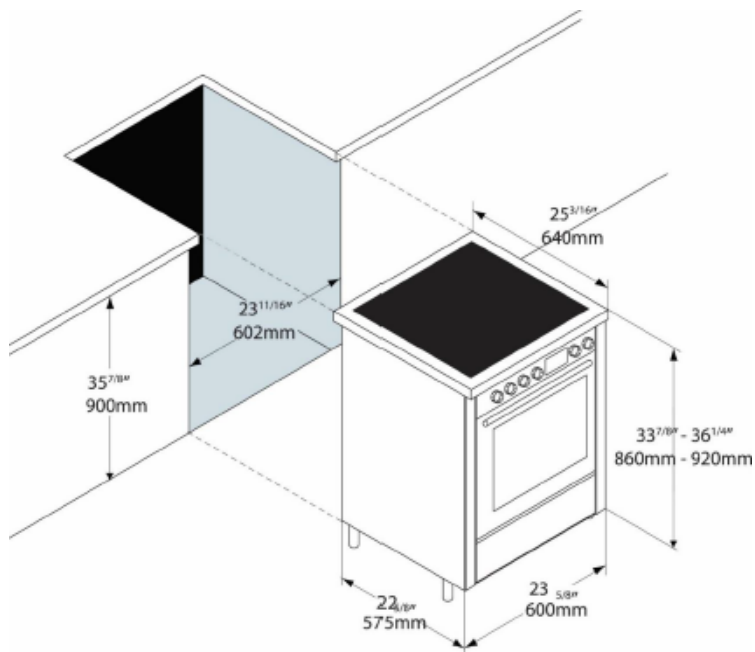
- D: 22 ⁵/₈" x W: 23 ⁵/₈" x H: 33 ⁷/₈" - 36 ¹/₄"

CUT OUT DIMENSIONS (Inch/mm)

- W: 23 ¹¹/₁₆" x H: 24 ³/₁₆"

ELECTRICAL REQUIREMENTS

- 208 / 240 Volt 60Hz, 40AMP
- PORTER&CHARLES ovens are supplied with a 4' long electrical cable and plug, located from the bottom right in the rear of the range.





Porter & Charles Appliances are designed and manufactured to the highest standards.
Each appliance is covered by a comprehensive 2-year parts and labour warranty.

Refer to product warranty policy for complete terms and conditions.

FOR PARTS AND SERVICE

Euro-Parts & Service
39822 Belgrave Road, Belgrave, ON. N0G 1E0 1
866 722 2262
www.euro-parts.ca • parts@euro-parts.ca •
service@euro-parts.ca

Porter & Charles appliances are imported and distributed in North America by
Euro-Line Appliances Inc. For more information, please visit one of our showrooms or

www.ela.ca www.elawest.ca

EURO-LINE APPLIANCES INC.

871 Cranberry Court
Oakville, ON L6L 6J7 Canada
905 829 3980
1 800 421 6332
info@ela.ca

EURO-LINE APPLIANCES WEST INC.

101-1014 Homer Street
Vancouver, BC V6B 2W9 Canada
604 235 3980
1 855 ELA WEST (352 9378)
info@elawest.ca

