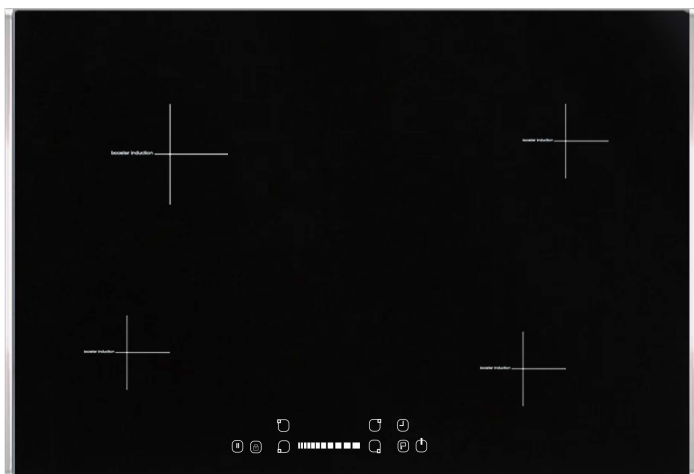


CI76V

30" CERAMIC INDUCTION COOKTOP



Induction cooktops offer fast and responsive cooking; the cookware itself becomes the heat conductor and becomes hot, while the smooth ceramic surface remains safe because it does not produce any heat.

When the pot is removed from the surface, the cooking stops.

Energy is saved as only the exact amount needed for cooking is used and cleaning is easier because grease and food residues do not “bake” onto the ceramic glass.

Made from resilient, high quality ceramic glass it is a beautiful complement to any kitchen style.

These cooktops are incredibly quick, have more flexible control than gas, are easier to clean, and extremely safe.

PRODUCT FEATURES

- 4 induction zones
- 9 power levels with Power Boost
- Black ceramic with beveled edges front and back, stainless steel sides to prevent chipping
- Touch control panel
- Automatic switch off
- Child safety lock
- Smart Pause
- Count-down timer
- Residual heat indicator
- Shallow depth allows for easy install over drawers or an oven

COOKTOP PERFORMANCE

- 4 Induction Zones
 - 2 x 16cm Single Zone: 1400 Watts (Boost: 1800 Watts)
 - 2 x 20cm Single Zone: 1800 Watts (Boost: 2500 Watts)

TECHNICAL SPECIFICATIONS

- 208/240 volt, 60Hz, 40 amp, 7400W
- Supplied with a 5ft long electrical cable and must be hard wired

DIMENSIONS

- D: 20^{1/2}" • W: 30^{1/16}"
- D: 520mm • W: 780mm

CUT OUT DIMENSIONS

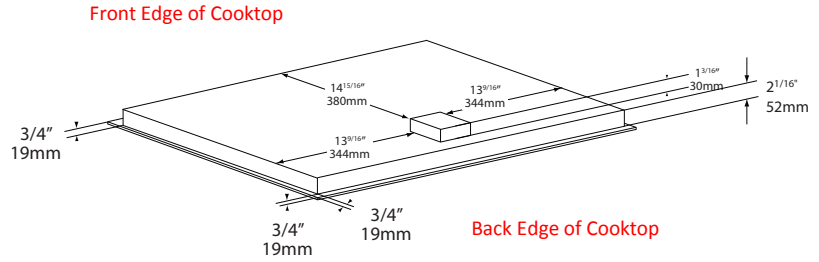
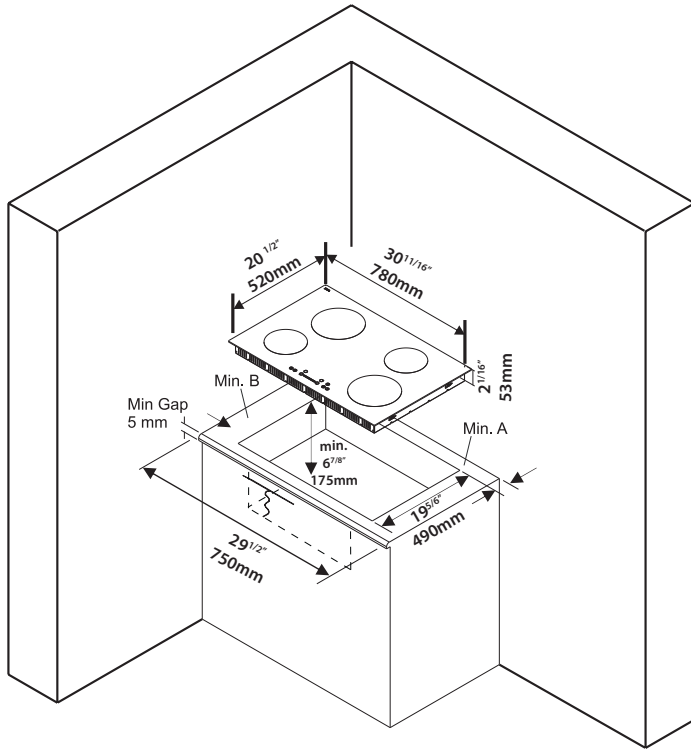
- D: 19^{5/16}" • W: 29^{1/2}"
- D: 490 mm • W: 750mm

CI76V SPECIFICATIONS



PRODUCT DIMENSIONS

UNDER COUNTER VIEW

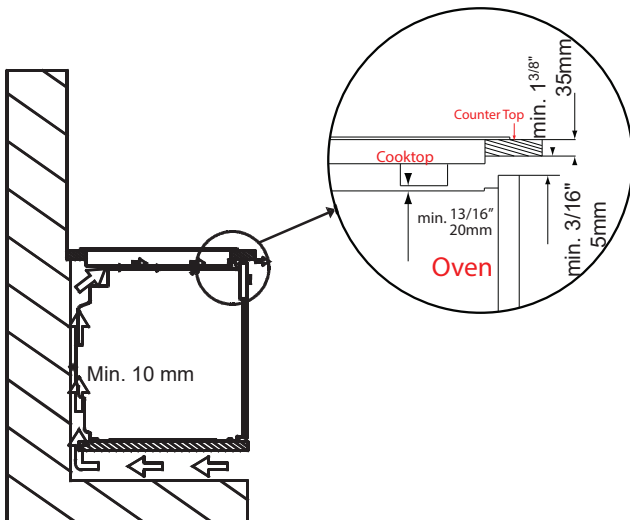


Neighbourhood walls	A [mm]	B [mm]
Wood	60	150
Concrete or ceramic tiled	25	40

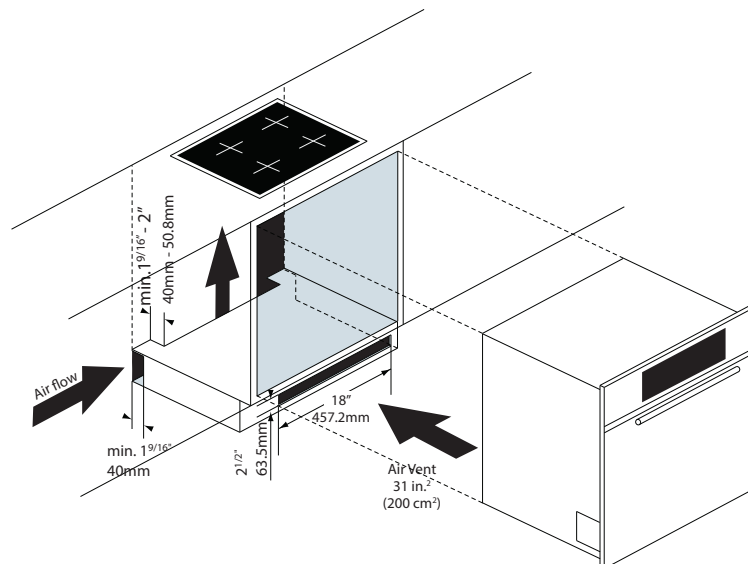
* In the case of installation over built-in oven, distance should be min. 10 mm.

INSTALLING THE HOB OVER AN OVEN

SIDE VIEW



RECOMMENDED CABINET DESIGN

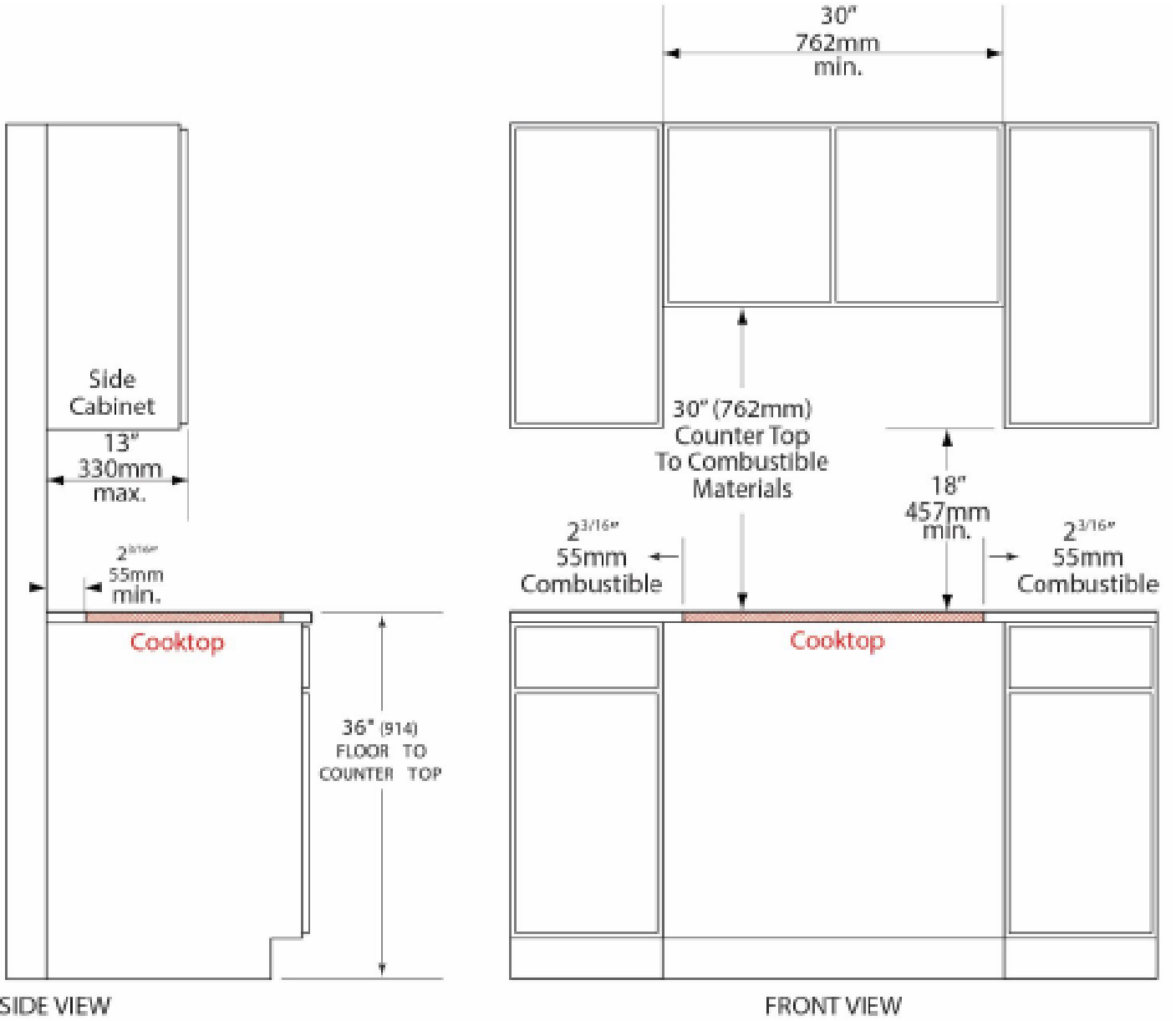


- There must be a minimum of 20mm ($13\frac{1}{16}''$) of space left between the bottom of the cooktop and the oven to allow air to flow.
- There must be a minimum of 5mm ($3\frac{1}{16}''$) of space left between the counter top and the door panel of a built-in oven / drawer.
- If insufficient air flow is provided, the life of the appliance will be shortened.

CI76V
SPECIFICATIONS



RECOMMENDED CABINET MINIMUM CLEARANCE





Porter & Charles Appliances are designed and manufactured to the highest standards. Each appliance is covered by a comprehensive 2-year parts and labor warranty.

Refer to product warranty policy for complete terms and conditions.

FOR PARTS AND SERVICE

Euro-Parts & Service
39822 Belgrave Road, Belgrave, ON. N0G 1E0
1 800 678 8352 (Canada) • 1 800 561 4614 (U.S.)

www.euro-parts.ca • parts@euro-parts.ca • service@euro-parts.ca

Porter & Charles appliances are imported and distributed in North America by Euro-Line Appliances Inc. For more information, please visit one of our showrooms or www.ela.ca www.elawest.ca

EURO-LINE APPLIANCES INC.

871 Cranberry Court
Oakville, ON L6L 6J7 Canada
905 829 3980 - 1.800.421.6332
info@ela.ca

EURO-LINE APPLIANCES WEST INC.

101-1014 Homer St.
Vancouver, BC V6B 2W9 Canada
604 235 3984 - 1 855 ELA WEST (3529378)
info@elawest.ca

