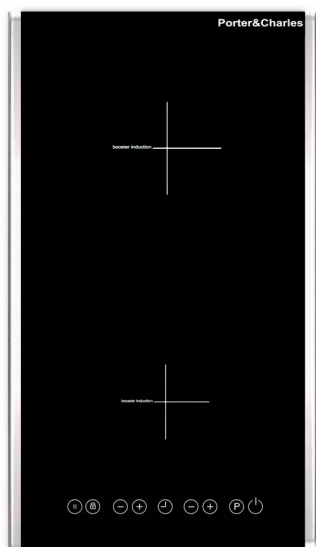


# CI30V

## 12" CERAMIC INDUCTION COOKTOP



Induction cooktops offer fast and responsive cooking; the cookware itself becomes the heat conductor and becomes hot, while the smooth ceramic surface remains safe because it does not produce any heat.

When the pot is removed from the surface, the cooking stops. Energy is saved as only the exact amount needed for cooking is used and cleaning is easier because grease and food residues do not "bake" onto the ceramic glass.

Made from resilient, high quality ceramic glass it is a beautiful complement to any kitchen style.

These cooktops are incredibly quick, have more flexible control than gas, are easier to clean, and extremely safe.

### PRODUCT FEATURES

- 2 induction zones
- 9 power levels with Power Boost
- Beveled front and back black ceramic with stainless steel edges
- Touch control panel
- Automatic switch off
- Child safety lock
- Smart Pause
- Count-down timer
- Residual heat indicator
- Shallow depth allows for easy install over drawers or an oven

### COOKTOP PERFORMANCE

- 2 induction zones
- 1 x 16cm Single Zone: 1400 Watts (Boost: 1800 Watts)
- 1 x 20cm Single Zone: 1800 Watts (Boost: 2500 Watts)

### TECHNICAL SPECIFICATIONS

- 220/240 Volt, 60 Hz, 20AMP, 3600W
- Supplied with a 5ft long armor cable and must be hard wired

### DIMENSIONS

- D: 20 1/2" • W: 11 7/16" • H: 2 1/16"
- D: 520 mm • W: 290 mm • H: 53mm

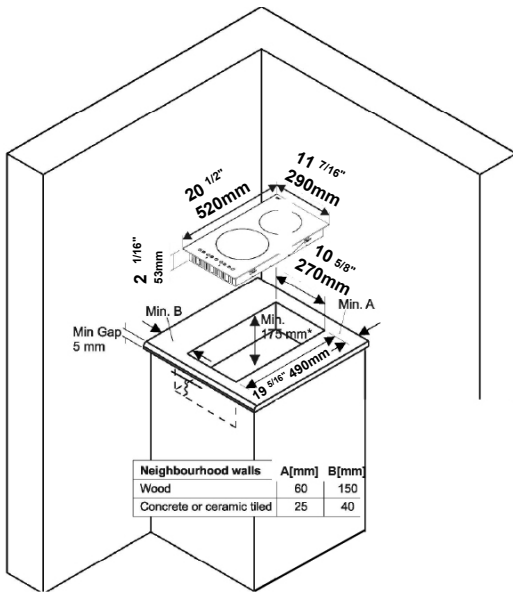
### CUT OUT DIMENSIONS

- D: 19 5/16" • W: 10 5/8"
- D: 490 mm • W: 270 mm

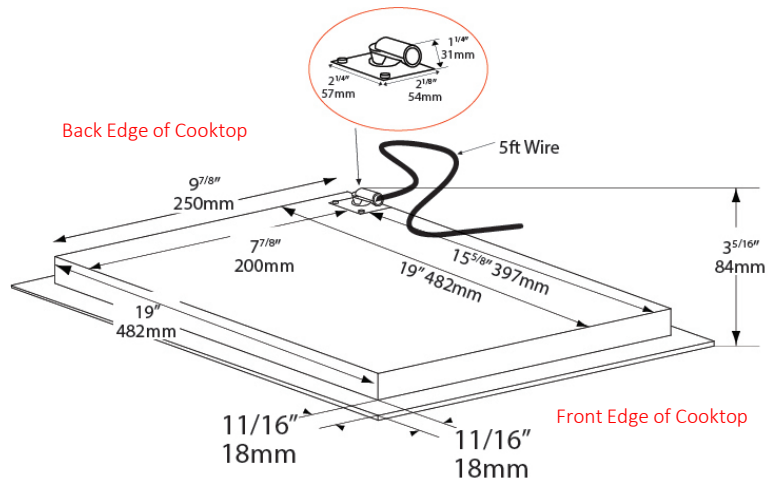
# CI30V SPECIFICATIONS



## PRODUCT DIMENSIONS

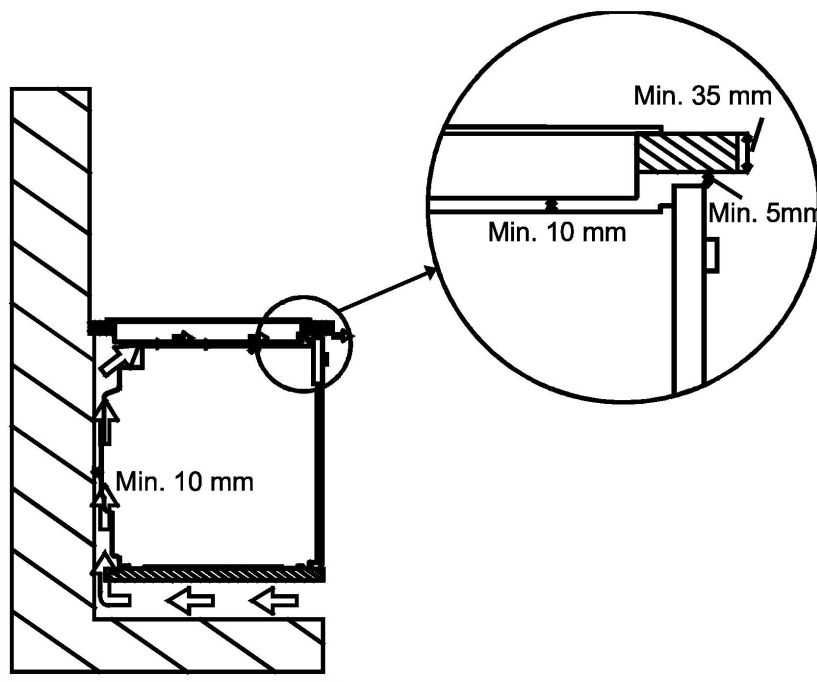


## UNDER COUNTER VIEW



\* In the case of installation over built-in oven, distance should be min. 10 mm.

## INSTALLING THE HOB OVER AN OVEN



- Before inserting the oven, it is necessary to remove the rear kitchen element panel in the area of the oven opening, in order to supply cooling.
- Equally, the front part of the kitchen element must have an opening of no less than 5 mm.