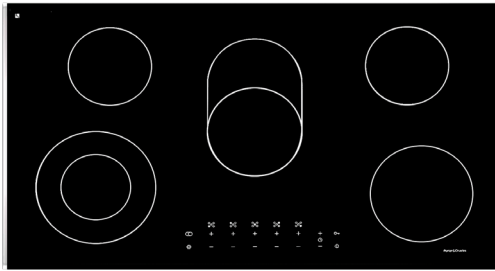


CC90-2

36" Built-In Electric Ceramic Cooktop



Signature Features

Black Ceramic Glass Surface

Smooth surface offers a modern style in an easy-to-clean design.

Hi-Lite Ceramic Zones with Power Boost

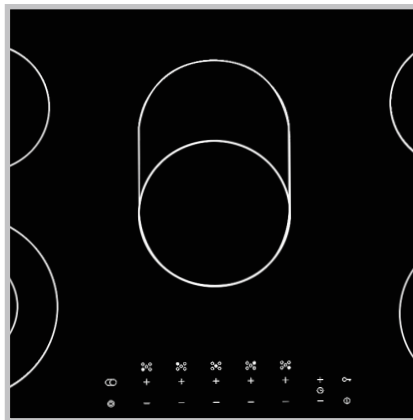
Provides two high-performance zones that allow you to speed up your cooking time with the powerful boost function reducing heat-up times.

Digital Touch Control

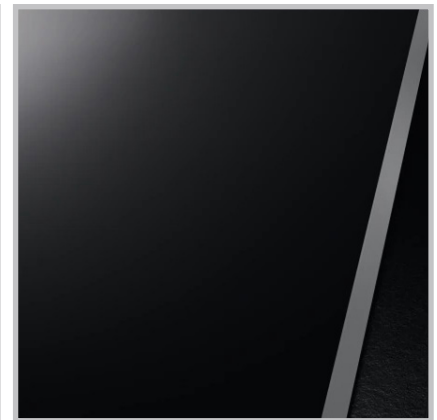
Accurately control your heating with user-friendly touch controls on a surface that is easy to clean.

General Properties

- Electric Cooktop
- Black Ceramic Glass Surface
- Stainless Steel Trim
- Beveled Edges



Expandable Zones



Stainless Steel Trim

Features

- 5 Hi-Lite zones
- 9 power levels
- Quick heating elements
- Touch control panel
- Child safety lock
- Smart Pause
- Count-down timer
- Residual heat indicator
- Shallow depth allows for easy install over drawers or an oven

Cooktop Performance

- 2 x 15.5cm Single Zones**
 - 1,200 Watts
- 1 x 18cm Double Zone**
 - 1,800 Watts
- 1 x Double Zone**
 - 12cm - 750 Watts
 - 21cm - 2,500Watts
- 1 x Oval Zone**
 - 17cm - 1,400 Watts
 - 26.5cm - 2,200 Watts

Technical Specifications

Cooktop Dimensions (W/H/D)

- 35^{7/16"} / 1^{7/8"} / 20^{3/16"}
- 900mm / 48mm / 512mm

Cut Out Dimensions (W/H/D)

- 33^{3/4"} / min. 3^{1/8"} / 19^{5/16"}
- 858mm / min. 80mm / 490mm

Electrical Requirements

- 208/240 volt, 60Hz, 40 amp, 8600W
- Supplied with a 5ft long electrical cable and must be hard wired

CC90-2

Specifications

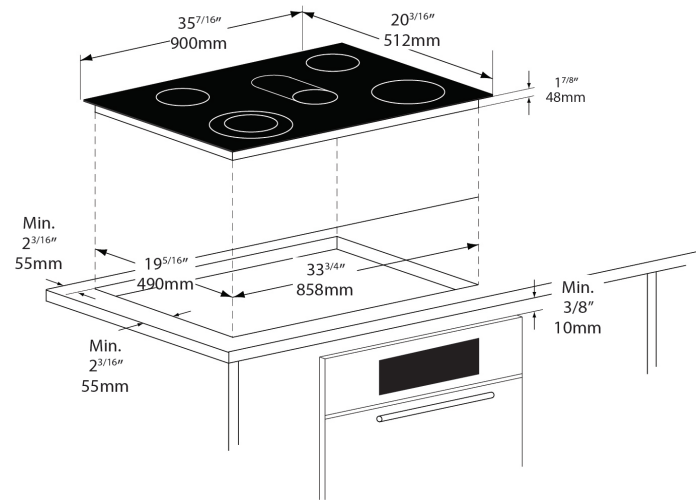


Product Dimensions (W/H/D)

- Width: 35^{7/16}" (900mm)
- Height: 1^{7/8}" (48mm)
- Depth: 20^{3/16}" (512mm)

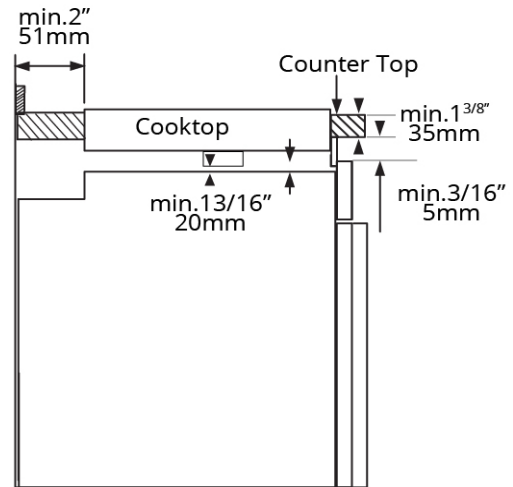
Cut Out Dimensions (W/H/D)

- Width: 33^{3/4}" (858mm)
- Height: min. 3^{1/8}" (80mm)
- Depth: 19^{5/16}" (490mm)

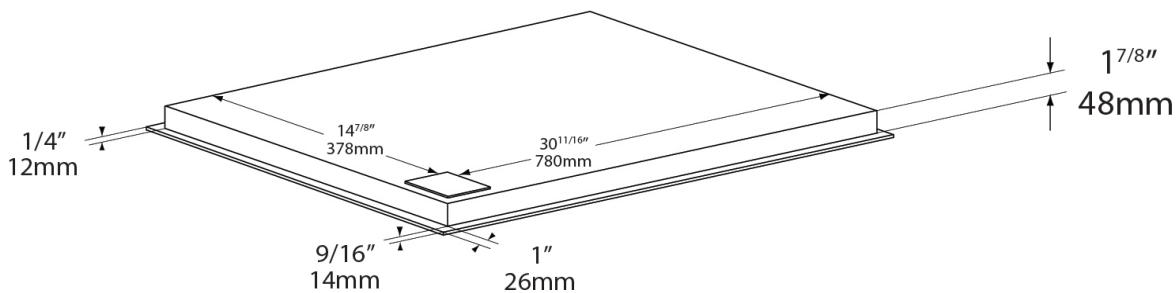


Side View

- There must be a minimum of 20mm (13/16") of space between the bottom of the cooktop and the oven to allow air to flow.
- There must be a minimum of 5mm (3/16") of space between the countertop and built-in oven/drawer door panel.
- If there is insufficient airflow, the appliances life span will be shortened.



Underneath View

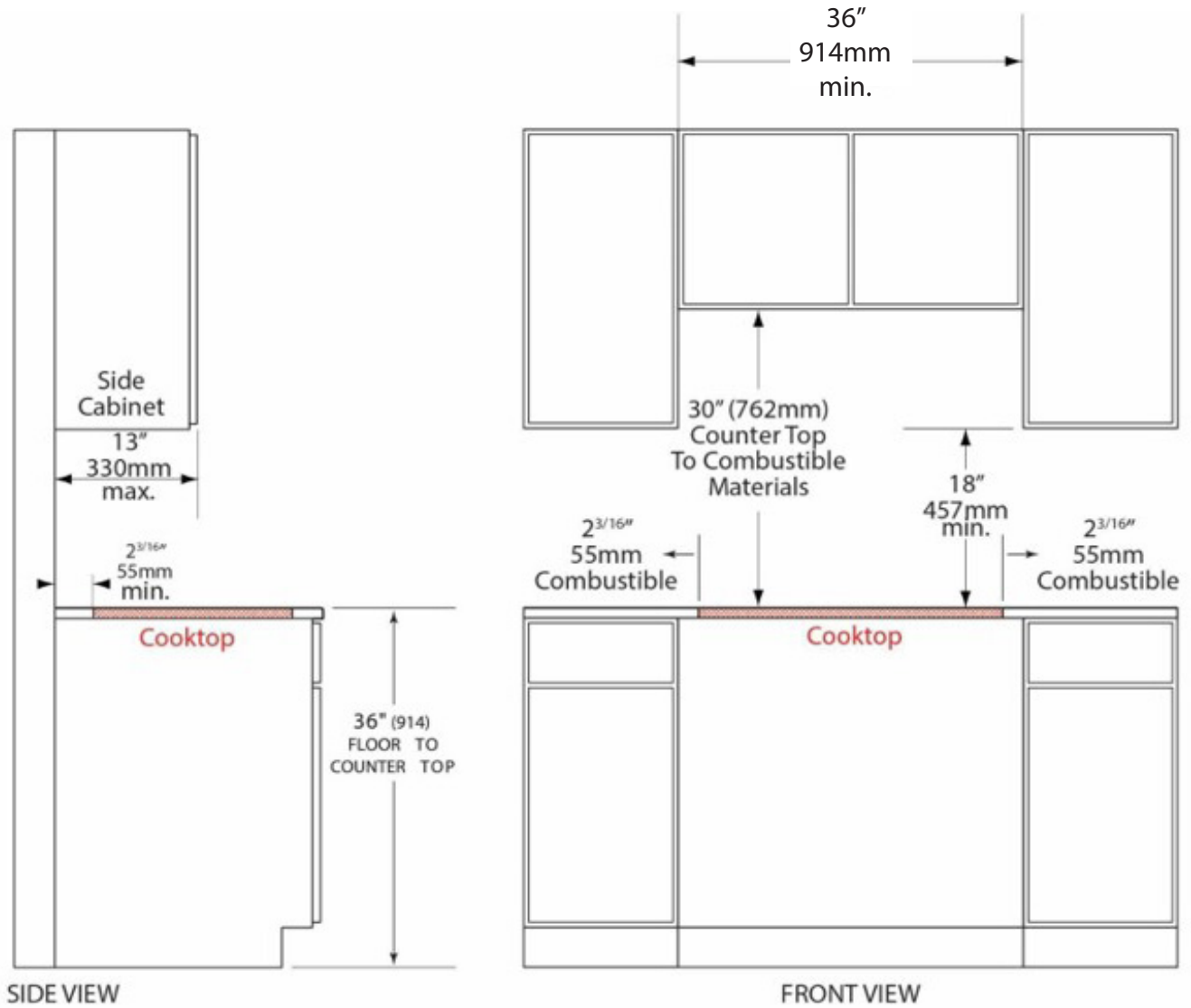


CC90-2

Specifications



Recommended Minimum Clearance



Other Product Downloads Available at porterandcharles.ca

- [Download User Manual](#)



WARRANTY INFORMATION

Porter & Charles Appliances are designed and manufactured to the highest standards. Each appliance is covered by a comprehensive 2-year parts and labour warranty. Refer to product warranty policy for complete terms and conditions.

FOR PARTS & SERVICE

Euro-Parts & Service
39822 Belgrave Road, Belgrave, ON. N0G 1E0 1 866 722 2262
www.euro-parts.ca • parts@euro-parts.ca • service@euro-parts.ca

Porter & Charles appliances are imported and distributed in North America by Euro-Line Appliances Inc. For more information, please visit one of our showrooms or www.ela.ca / www.elawest.ca

EURO-LINE APPLIANCES INC.

871 Cranberry Court, Oakville, ON
L6L 6J7 Canada
905 829 3980
1 800 421 6332
info@ela.ca

EURO-LINE APPLIANCES INC.

101-1014 Homer Street, Vancouver, BC
V6B 2W9, Canada
604 235 3980
1 855 ELA WEST (352 9378)
info@elawest.ca