

## Installation Instructions

### Induction Heating Cooktop

Model No. **KY-B84AX**  
**KY-B84AG**

#### Contents

Safety Precautions .....	2
Installation Location .....	4
Accessories .....	4
Dimensions .....	5
Related Dimensional Drawings for Custom Kitchens .....	6
Electrical Work .....	8
Installing the Appliance .....	9
Post-installation Checklist .....	10

## Safety Precautions

Please fully observe the following safety precautions.

### IMPORTANT

- **Install the appliance in accordance with the Installation Instructions. Otherwise, the performance of the appliance may be affected.**
- **Make sure to perform a test run and explain to the customer how to properly use the appliance.**
- **Proper installation is the responsibility of the installer. Any malfunction or accident resulting from the failure to follow Installation Instructions is not covered under guarantee.**
- **Hand these Installation Instructions to the customer for the local electrical inspector's use.**



**WARNING:** Failure to follow these instructions may cause death or serious injury.

- **When performing the installation, follow these instructions properly.** Improper installation may cause an electric leakage or fire.
- **Install 240 V / 40 A dedicated single phase circuit with the earth leakage circuit breaker for the power supply.** The electrical wiring may abnormally overheat if the dedicated circuit is not properly connected.
- **Electrical work must be performed by a legally qualified electrician.** Improper wire connections may cause electric leakages or fires.
- **Ground the appliance following the electric laws.** Failure to do so may cause electric shock due to electric leakages.

- **Have a qualified electrician ground the appliance.** Improper grounding may cause an electric shock.
- **Before performing the installation, definitely turn off the circuit breaker.** This can prevent electric shock.
- **The power cord must be accurately connected to ensure the integrity of the connection.** Improper wire connections may cause electric leakages or fires.
- **If the power cord is damaged, it must be replaced by the manufacturer or its service agent or a similar qualified person in order to avoid a hazard.**
- **Do not disassemble, repair or modify the appliance (the top plate, for example).** Doing so may cause the appliance to operate abnormally and may result in danger.
- **Do not step on the appliance, or drop heavy items on top of it.** Cracks in the top plate may cause overheating, malfunctions or electric shocks.
- **Do not touch high temperature parts, such as the top plate.**

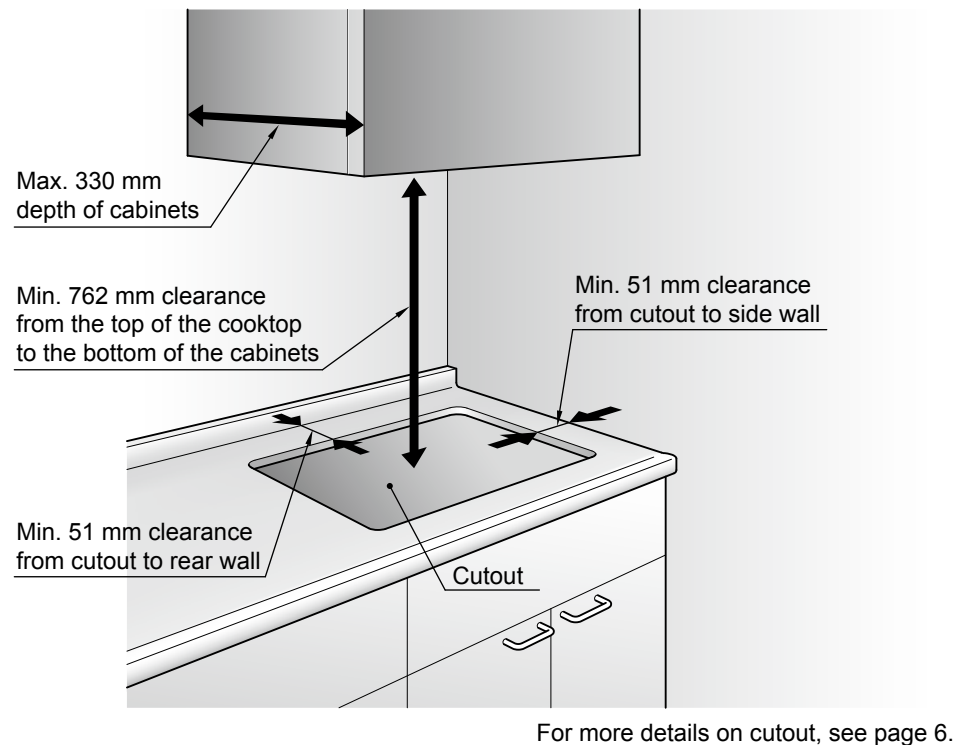


**CAUTION:** Failure to follow these instructions may cause injury or property damage.

- **Use heat resistant materials for the countertop. However, do not use varnished materials as they might get discolored.** The material of the countertop should have heat resistancy equal to or exceeding "laminated thermosetting high-pressure decorative sheets". If the materials are not heat resistant, they may get deformed or cause a fire.

## Installation Location

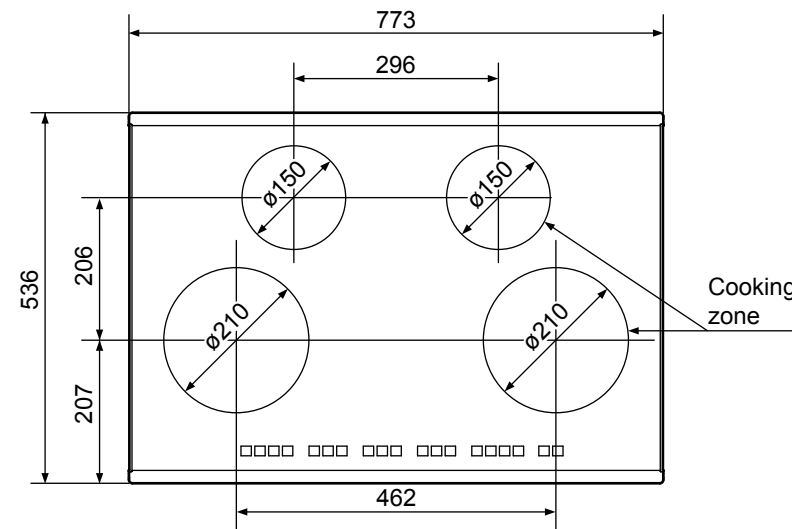
Observe the laws concerning the installation of the appliance.



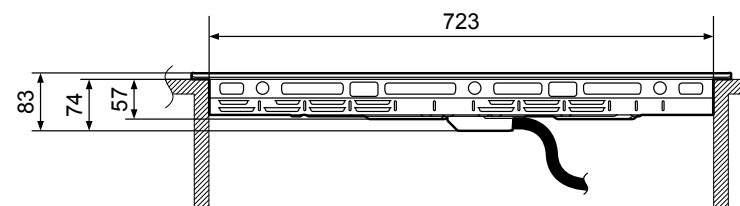
## Dimensions

(measurement: mm)

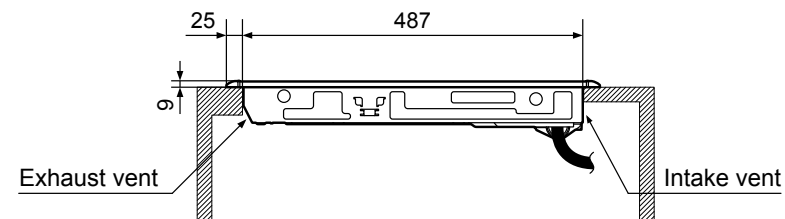
### ■ Top view



### ■ Front view



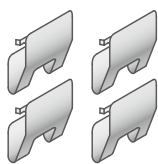
### ■ Side view



Power cord length: approx. 1.2 m (Sheath length: approx. 0.96 m)

## Accessories

### Clamp

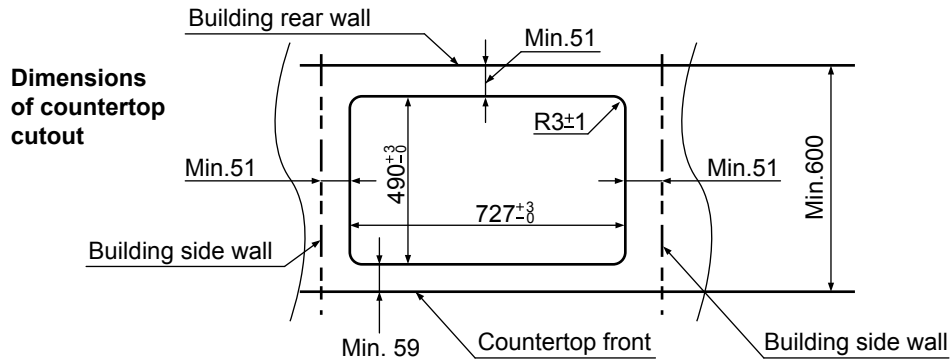


( 4 pieces )

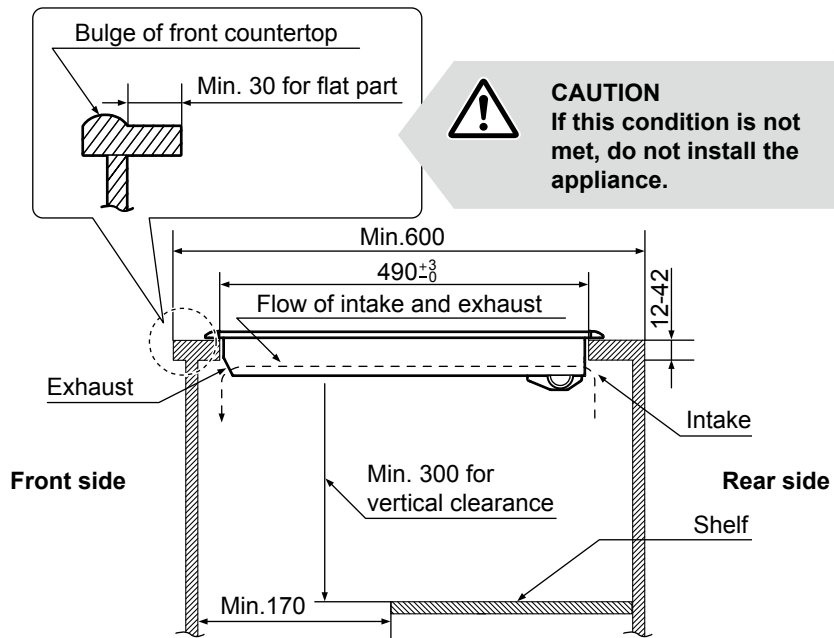
# Related Dimensional Drawings for Custom Kitchens

(measurement: mm)

## ■ Mounting hole



## ■ Side view

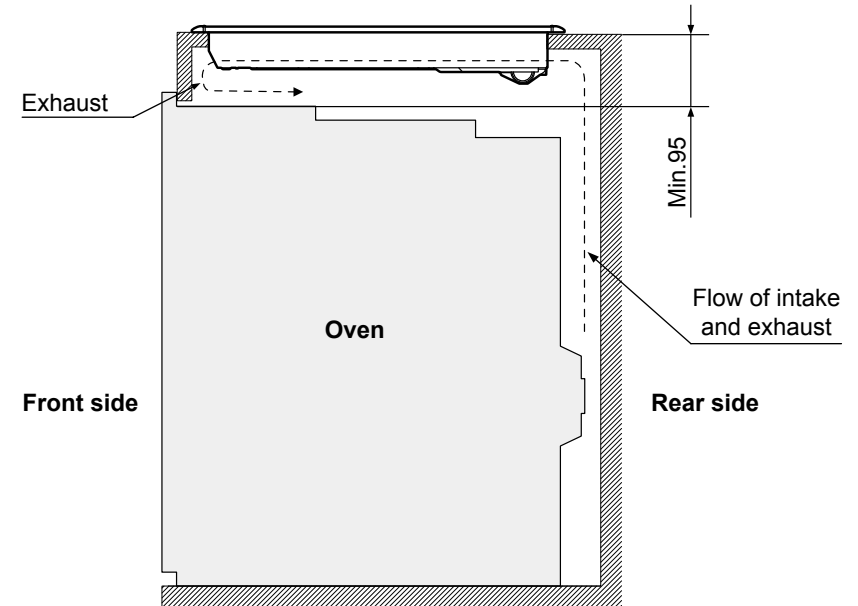


- Allow for a minimum of 300 mm extra space underneath the bottom of the appliance for air circulation.
- To install a shelf inside the cabinet, allow for a minimum of 170 mm extra space in front.

When installing the cooktop above an oven,

- Allow for Panasonic oven only. (HL-BD82S, as of November 2012)

## ■ Side view with an oven



- Allow for a minimum of 95 mm extra space between the countertop and the top surface of the oven for air circulation.



**WARNING**  
 Electrical work must be performed by a legally qualified electrician.

## ■ Electrical requirements

- This appliance must be supplied with the proper voltage and frequency, and connected to an individual, properly grounded branch circuit, protected by a circuit breaker or fuse. (The rating plate is on the bottom of the appliance.)
- Means for disconnection must be incorporated in the fixed wiring in accordance with the wiring rules.
- You must use a three-wire, single-phase A.C. 240 V, 40 A, 60 Hz electrical system. If you connect to aluminum wiring, properly use connectors approved for use with aluminum wiring.
- Check with the local utilities for electrical codes applied in the area. Failure to wire the appliance according to governing codes may result in a hazardous condition. If there are no local codes, the appliance must be wired and fused to meet the requirements of CSA and CEC.
- After installation, show the customer where the breaker for the appliance is located.

## ■ Installation of the earth leakage circuit breaker

- In accordance with the electrical wiring rules, incorporate the earth leakage circuit breaker in the home electrical wire.
- Follow the specification of the earth leakage circuit breaker as follows.  
 Rated current: 40 A, rated sensitivity current: 30 mA

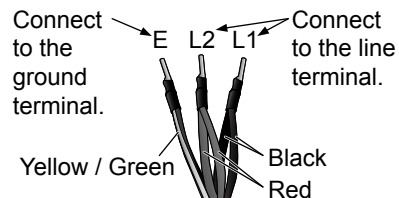
## ■ Electrical connections

### 1. Turn off power.

Turn off power at the circuit breaker or remove fuses to the appliance branch circuit.

### 2. Connect the power cord.

Connect the power cord in accordance with all governing codes and ordinances.



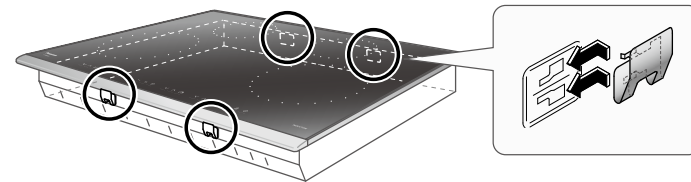
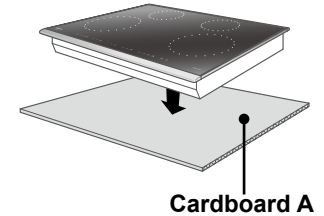
**CAUTION**  
 For your safety, remove the plastic cover from the power cord before performing electrical work.



**WARNING**  
 Do not disassemble the top plate. Connected wire may become loose and cause a malfunction.

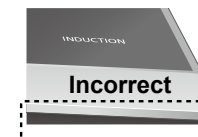
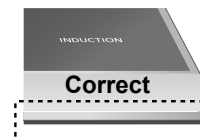
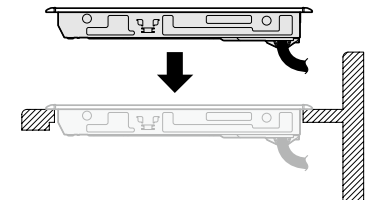
### 1. Fasten the clamps to the main unit (4 places on the front and back).

- Put the Cardboard A underneath the main unit to act as a buffer in order to prevent the countertop from getting damaged.
- Match the clamp grips with the holes on the sides of the main unit, then slide the clamp from the right to the left to fasten them to the main unit.



### 2. Embed the main unit in the countertop cutout while keeping it as level as possible.

- Do not drop the unit on the countertop.
- Press down on top of the main unit to make sure that the frame is solidly rest on the countertop.
- Make sure that the spaces between the countertop and the under surface of the top frame are even in the front, back, left and right.









### 3. Connect the power cord See page 8.



**CAUTION**  
 If the cabinet does not have an opening in the front, the wiring needs to be connected before the main unit is embedded into the countertop.

# Post-installation Checklist

Upon completing installation, check and mark off the following items.

	Checklist	Checked
<b>Appearance</b>	<ul style="list-style-type: none"> <li>- Does the appliance not look like it is tilted to the front, back, left or right?</li> <li>- Is the frame not lifted up?</li> <li>- Is the top plate clean?</li> </ul>	
<b>Electrical work</b>	- Is the power supply a single phase, 240 V?	
	<ul style="list-style-type: none"> <li>- Has the ground been installed?</li> <li>- Has the earth leakage circuit breaker been installed?</li> </ul>	
<b>Electrical testing</b>	<p><b>1. Touch  to turn on the main power.</b></p> <ul style="list-style-type: none"> <li>- Does the main power light light up?</li> </ul> <p><b>2. Touch the following keys to check function of each IH heater:</b></p> <ul style="list-style-type: none"> <li>- Left front heater </li> <li>- Left rear heater </li> <li>- Right front heater </li> <li>- Right rear heater </li> </ul> <p>Does "7" (heat level display) flash? </p>	

- Make sure to turn off each IH heater and the main power switch after performing electrical testing.
- Hand the Operating Instructions, Installation Instructions, and Warranty Certificate to the customer.

**I hereby certify that installation has been completed.**

\_\_\_\_\_  
**Signature of installer**

Panasonic Canada Inc.  
 5770 Ambler Drive, Mississauga, Ontario, L4W 2T3  
 www.panasonic.ca