

ContourLine
30" Double
Convection Oven

H 6780 BP2



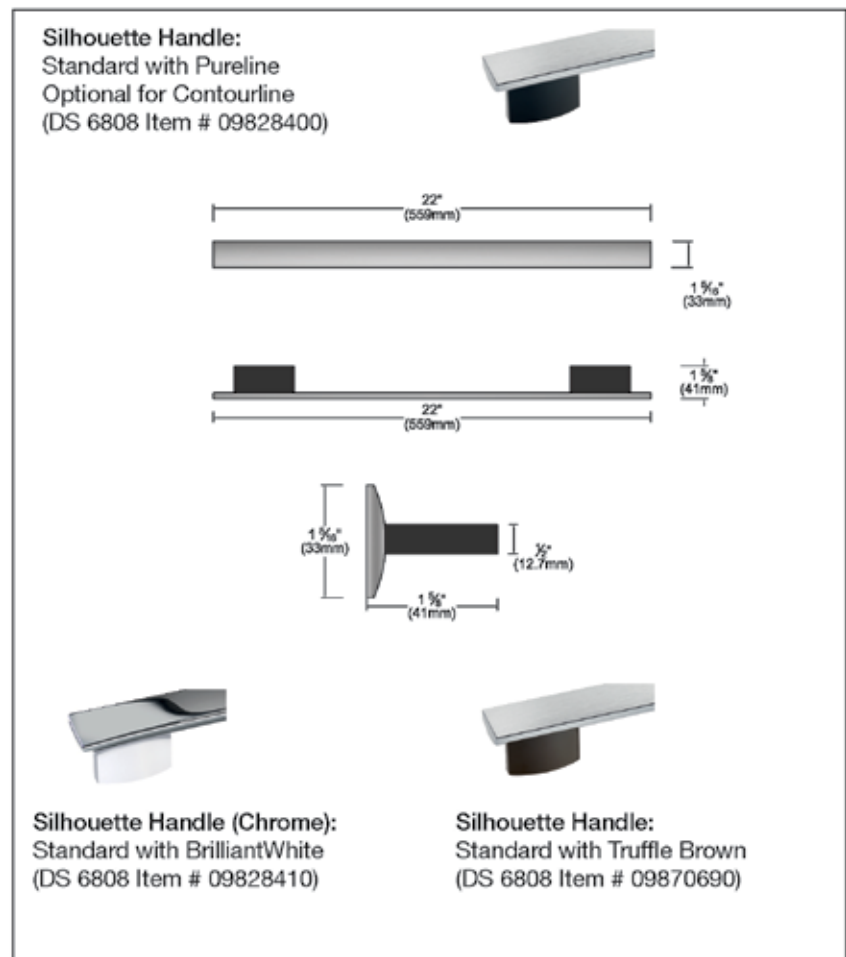
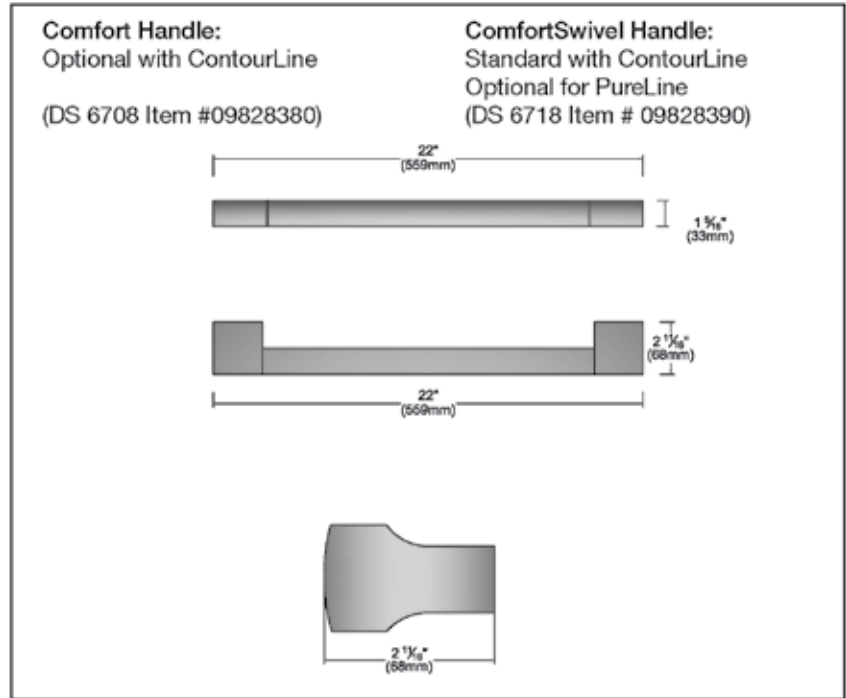
ContourLine 30" Double Convection Oven H 6780 BP2



H 6780 BP2

Features:

- M Touch controls are both easy to operate and navigate. An intuitive swipe of the screen will quickly lead you to your desired selection
- Self Clean Oven
- 19 Operating Modes including Moisture Plus (plumbed only) – through increasing the humidity in the oven you can perfect your results e.g. crusty, glossy breads, juicy meats
- MasterChef Plus - fully functional automatic programs to create 15 different types of bread at home
- MasterChef menu offers over 100 food types to cook to perfection
- Wireless Roast Probe for safe, easy handling and perfect roasting results
- Favorites - up to 20 recipes
- Sabbath Program
- CleanGlass Door
- TwinPower Fans provide optimum and even distribution of hot air
- Soft Open and Soft Close for an easier handling
- ComfortSwivel Handle moves with the motion of your wrist, creating a more ergonomic feel when opening and closing the oven door



ContourLine 30" Double Convection Oven H 6780 BP2



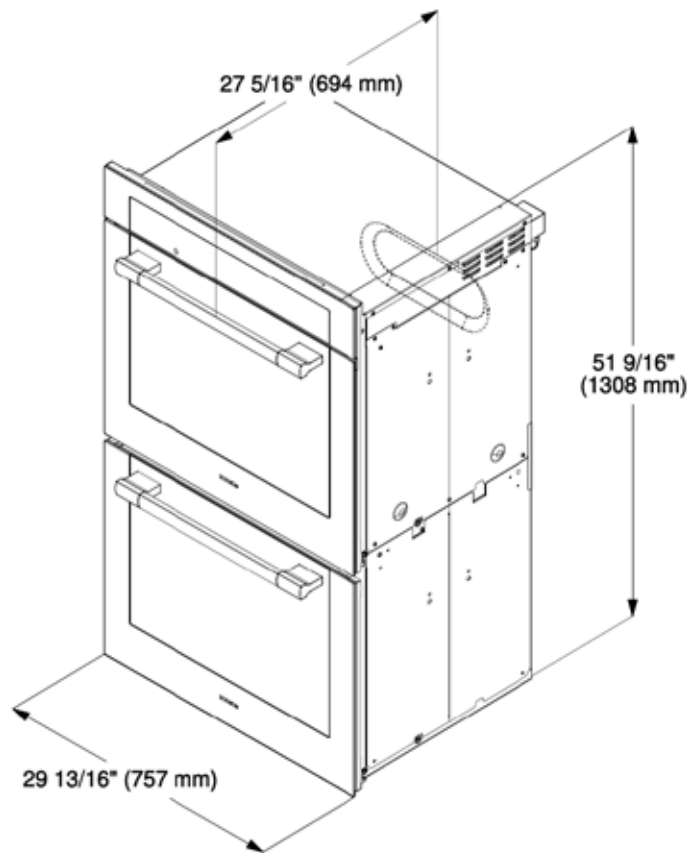
SPECIFICATIONS	
H 6780 BP2 – Item 22688055USA	
Overall Unit Width - Excluding Fascia Dimension	28 ³ / ₈ " (721mm)
Overall Height - Excluding Fascia Dimension	49 ⁵ / ₁₆ " (705mm)
Overall Unit Depth - Excluding Fascia Dimension	22 ⁹ / ₁₆ " (597mm)
Oven Door Clearance	Upper Door: 22 ¹³ / ₁₆ " (580mm) Lower Door: 22 ⁷ / ₁₆ " (570mm)
Overall Oven Interior Capacity	4.63 cu.ft - 131.24 liters x per oven
Overall Fascia Dimensions	29 ¹³ / ₁₆ " (757mm) W x 51 ¹ / ₂ " (1320.8mm) H x ⁷ / ₈ " (23mm) D
Built-In	
Minimum Cabinet Width	28 ¹ / ₂ " (724mm)
Minimum Cabinet Depth	24" (610mm)
Minimum Cabinet Opening Height	51 ¹ / ₈ " (1298mm)
Minimum Base Support	342 lbs
Additional Cut-outs Required	Venting Cut out required at base of cabinet (4" x 28" / 100 mm x 720 mm) in the bottom of the cabinet for power cord and ventilation and plumbing
Plumbing	
Plumbing Requirements	An Inline water filter, like activated carbon, is required to reduce mineral deposits. Do not connect to a Reverse Osmosis (RO) water system. Connect to a cold water supply only. Must be connected to a shut-off valve. The water shut-off valve must be accessible after installation. The water pressure must be between 14.5 and 145 psi (1 and 10 bars). If the pressure is higher, install a pressure-reducing valve. The supplied hose has a length of 4' 11" (1.5 m). The hose must not be shortened.
Plumbed Hose Connection	Supplied hose: flexible braided 4'11" (1.5m) with ³ / ₈ " O.D. fitting for connection to a shut-off valve
Electrical	
Electrical Requirements	208/240V 50A 60 Hz circuit
Power Cord	Yes - NEMA 14-50 plug
Electrical Rating	120/208V, 60 Hz 8500w 120/240V, 60 Hz 11000w
Total Amps	240V / 45.83A - 208V / 40.86A
Shipping	
Shipping Weight	380 lbs
Shipping Dimensions	32 ⁷ / ₈ " W x 57 ¹¹ / ₁₆ " H x 30 ¹ / ₂ " L
Support	
Call	800.843.7231
20/20	©2020technologies.com

ContourLine 30" Double Convection Oven H 6780 BP2

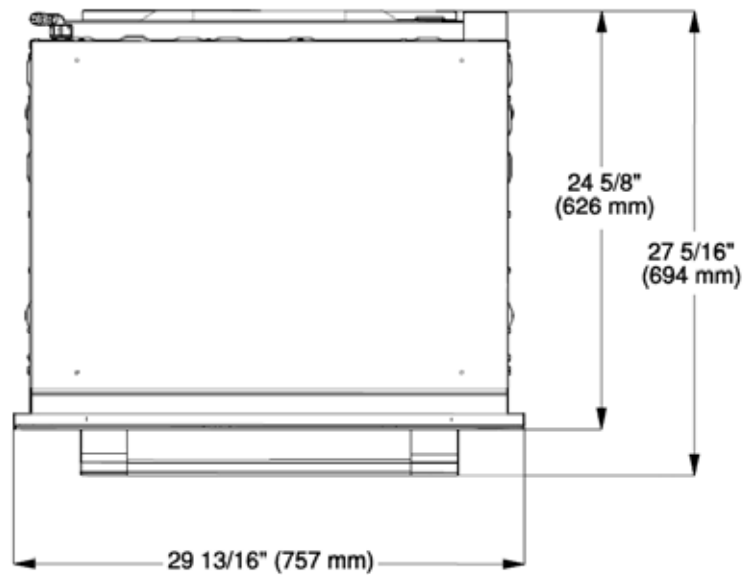


PRODUCT VIEWS

Isometric



Top View

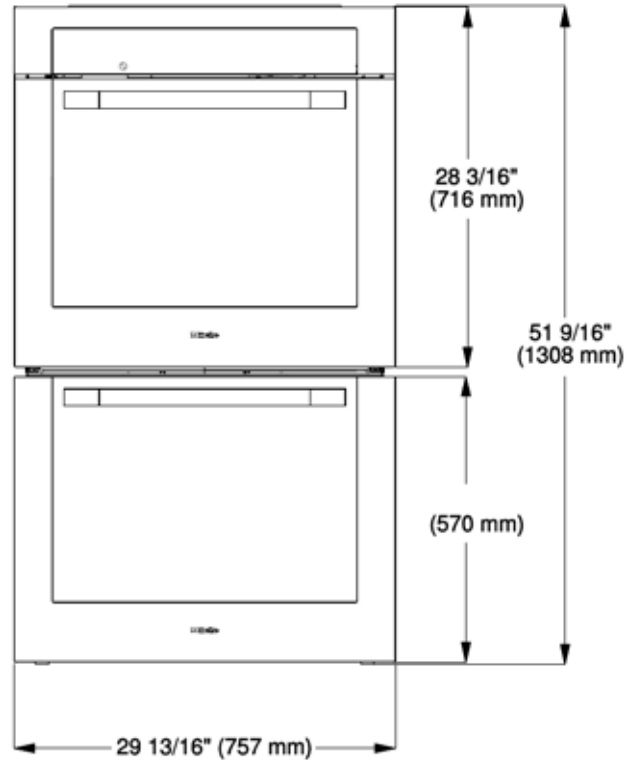


ContourLine 30" Double Convection Oven H 6780 BP2

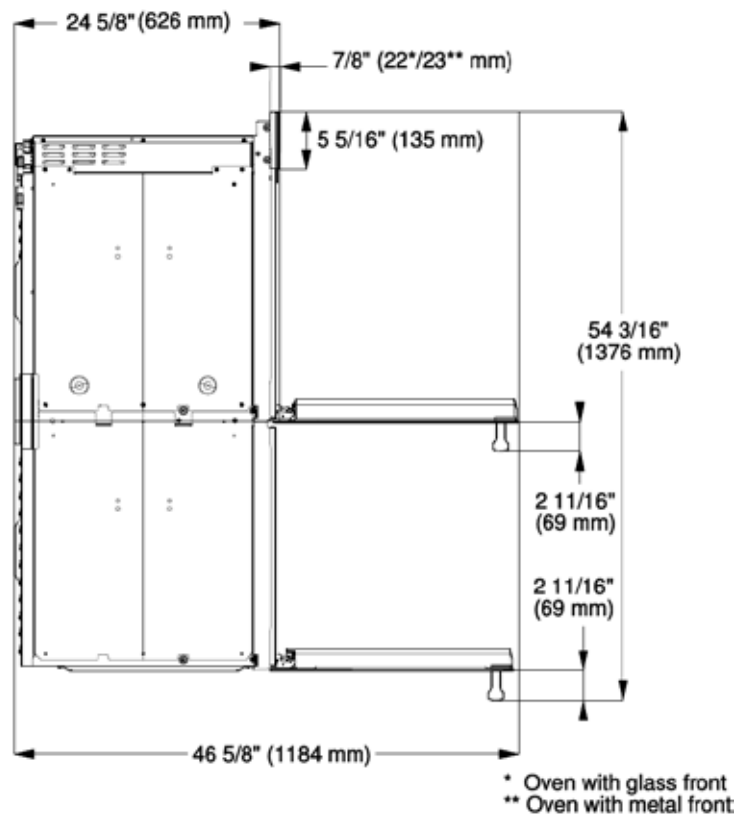


PRODUCT VIEWS

Front View



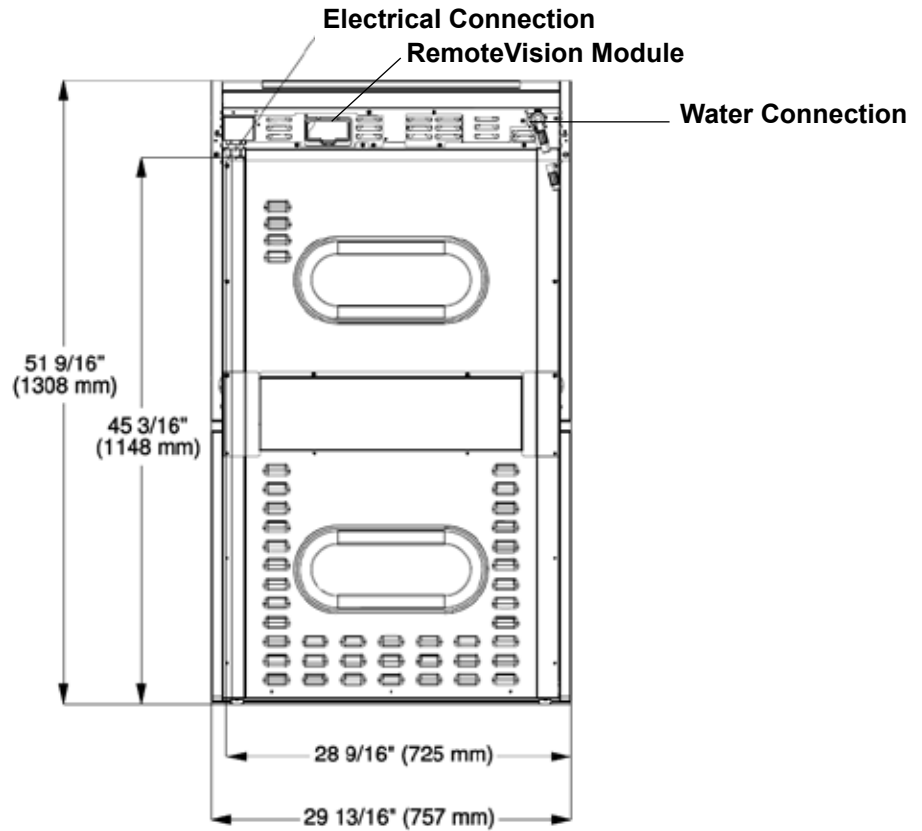
Side View



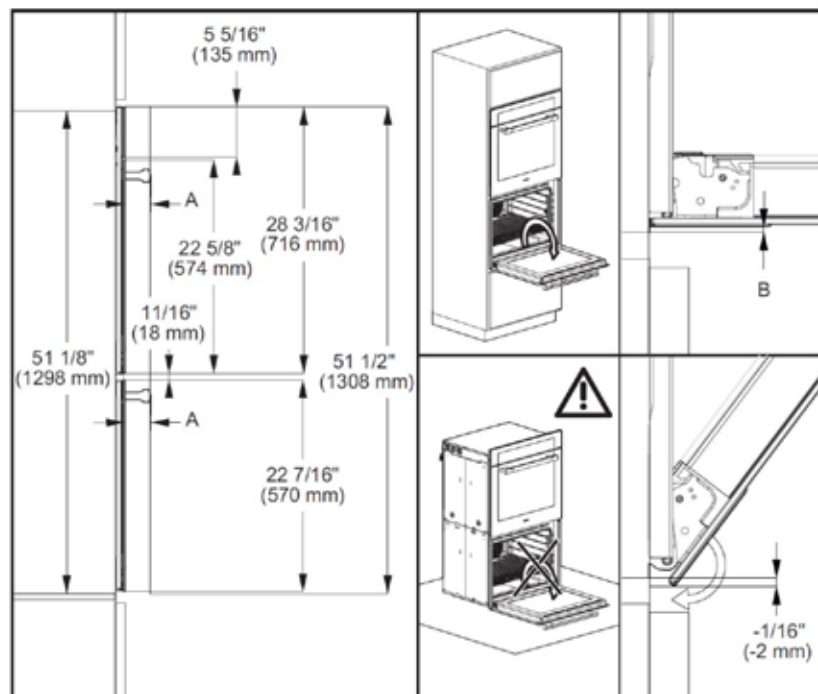
ContourLine 30" Double Convection Oven H 6780 BP2



Rear View



Door Swing

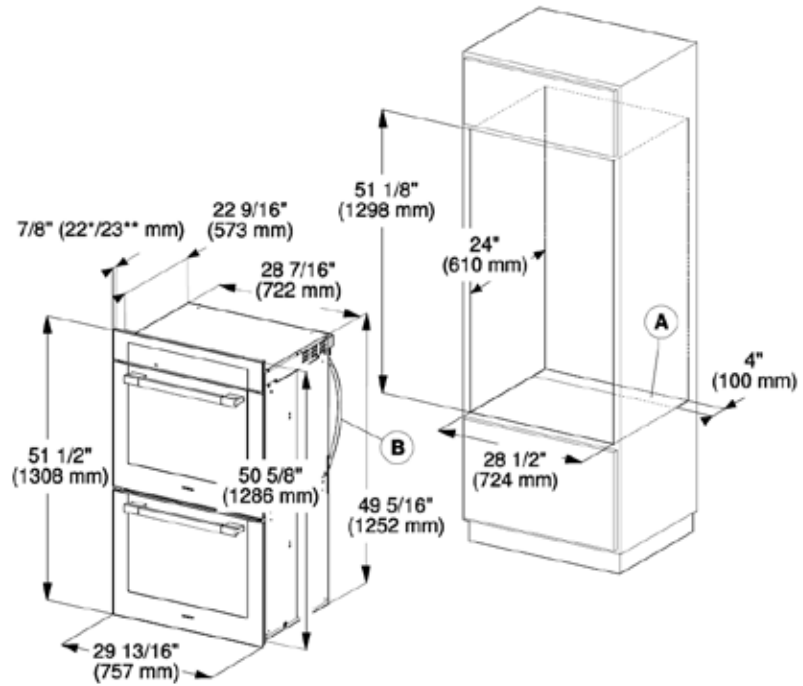


ContourLine 30" Double Convection Oven H 6780 BP2



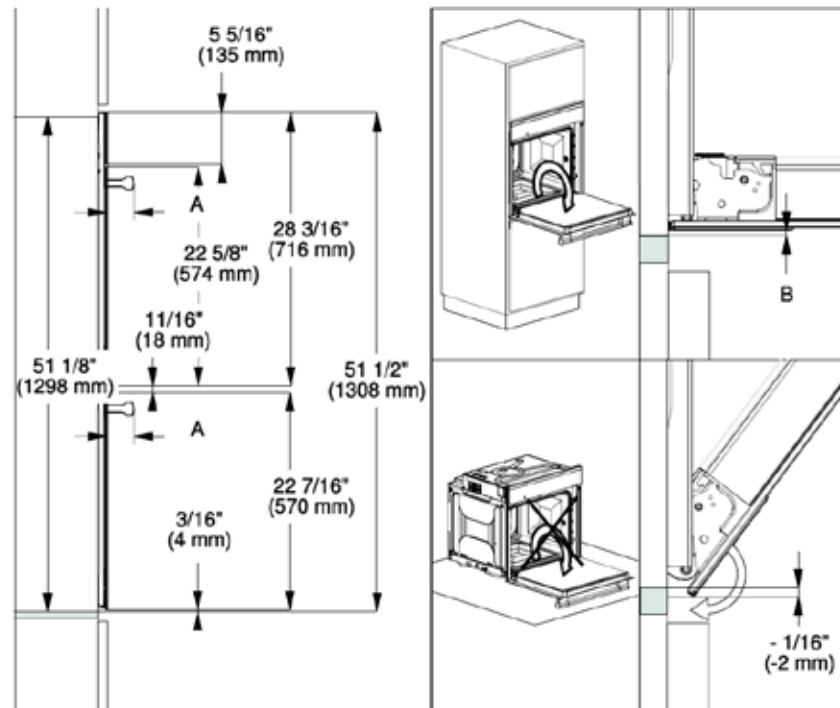
INSTALLATION SPECIFICATIONS

Installation Niche



* Oven with glass front
** Oven with metal front

Front Panel Details



ContourLine 30" Double Convection Oven H 6780 BP2



INSTALLATION SPECIFICATIONS

Front as shown installed

