

# Operating and Installation Instructions

## Warming Drawer



To prevent accidents and machine damage, read these instructions **before** installation or use.

# Contents

---

<b>IMPORTANT SAFETY INSTRUCTIONS</b> .....	4
<b>Overview</b> .....	11
Included accessories.....	12
<b>Control panel</b> .....	13
<b>Before using for the first time</b> .....	14
Cleaning the drawer for the first time.....	14
Heating the drawer for the first time.....	14
<b>Operation</b> .....	15
Basic operation .....	15
Operating modes.....	16
Duration .....	16
Temperature settings.....	16
<b>Keeping food warm</b> .....	18
Tips.....	18
Settings .....	19
<b>Warming dishes</b> .....	20
Tips.....	20
Warming times .....	20
Capacity .....	21
<b>Other uses</b> .....	23
<b>Cleaning and care</b> .....	24
<b>Frequently asked questions</b> .....	26
<b>Optional accessories</b> .....	28
<b>IMPORTANT SAFETY INSTRUCTIONS - INSTALLATION</b> .....	29
<b>Instructions for installation</b> .....	30
<b>Installation dimensions</b> .....	31
<b>Installation</b> .....	36
<b>Electrical connection</b> .....	37
Connection data.....	37
<b>Caring for the environment</b> .....	38
<b>Technical service, data plate, warranty</b> .....	39

<b>MieleCare .....</b>	<b>40</b>
------------------------	-----------

## IMPORTANT SAFETY INSTRUCTIONS

---

This warming drawer conforms to current safety requirements. Improper use can, however, lead to personal injury and damage to property.

To avoid the risk of accidents and damage to the appliance, please read these instructions carefully before using the appliance for the first time. They contain important notes on installation, safety, use and maintenance.

Miele cannot be held liable for damage occurring as a result of non-compliance with these instructions.

Keep these instructions in a safe place and pass them on to any future owners.

# IMPORTANT SAFETY INSTRUCTIONS

---

## Use

- ▶ This warming drawer is intended for domestic use and use in other similar environments.
- ▶ The warming drawer is not intended for outdoor use.
- ▶ The warming drawer is intended for domestic use only as described in these instructions. All other use is at the owner's own risk and could be dangerous.
- ▶ Persons who are unable to safely operate the warming drawer due to limited physical, sensory or mental capabilities, or because of a lack of experience or knowledge, may only use the appliance if they are supervised while doing so. These persons may only use the appliance without supervision if they have been shown how to use it in a safe manner, and if they are able to recognize and understand the potential risks of improper use.

# IMPORTANT SAFETY INSTRUCTIONS

---

## Children

- ▶ As with any appliance, close supervision is necessary when used by children.
- ▶ Do not leave children unattended: Children should not be alone or unsupervised in the area where the appliance is installed. Do not allow them to sit or stand on the appliance.
- ▶ Be sure to supervise any children in the vicinity of the warming drawer, and do not let them play with it.
- ▶ The warmer drawer gets hot when in use and remains hot for some time after being switched off. Keep children away from the appliance until it has cooled down and is no longer a burn hazard.
- ▶ Danger of suffocation! Ensure that any plastic wrappings, bags, etc. are disposed of safely and kept out of the reach of children.

# IMPORTANT SAFETY INSTRUCTIONS

---

## Technical safety

- ▶ Installation, repair and maintenance work should be performed by a Miele authorized service technician in accordance with national and local safety regulations and the provided installation instructions. Contact Miele's Technical Service Department for examination, repair or adjustment. Repairs and other work by unauthorized persons could be dangerous and may void the warranty.
- ▶ A damaged warming drawer can be dangerous. Always check for visible signs of damage. Never use a damaged appliance.
- ▶ Reliable and safe operation of the drawer can only be assured if it has been connected to the electrical supply.
- ▶ Be certain the drawer is properly installed and grounded by a qualified technician. To guarantee the electrical safety of this appliance, continuity must exist between the appliance and an effective grounding system. It is imperative that this basic safety requirement be met. If there is any doubt, have the electrical system of the house checked by a qualified electrician.
- ▶ Before connecting the appliance to the power supply, ensure that the connection data (voltage and frequency) on the data plate of the drawer match the electrical supply. This data must correspond in order to avoid the risk of damage to the warming drawer. Consult a qualified electrician if in any doubt.
- ▶ Do not connect the drawer to the electrical supply with a power bar or extension cord. These are a fire hazard and do not guarantee the required safety of the appliance.
- ▶ For safety reasons, the warming drawer may only be used when it has been fully installed.
- ▶ This drawer may not be used in non-stationary locations (e.g. on a ship).

## IMPORTANT SAFETY INSTRUCTIONS

---

- ▶ Any contact with live connections or tampering with the electrical or mechanical components of the warming drawer will endanger your safety and may lead to appliance malfunctions. Do not open the casing of the warming drawer under any circumstances.
- ▶ Any repairs not performed by a Miele authorized service technician will void the warranty.
- ▶ Defective components should be replaced by Miele original parts only. Only with these parts can the manufacturer guarantee the safety of the appliance.
- ▶ If the plug has been removed or the power cord is not supplied with a plug, the drawer must be connected to the power supply by a suitably qualified electrician.
- ▶ Do not operate the appliance if the power cord is damaged. It must be replaced by a suitably qualified electrician with a H 05 VV-F (PVC-insulated) type power cord, available from Miele.
- ▶ The drawer must be completely disconnected from the power supply during installation, maintenance and repair work. This can be ensured as follows:
  - The circuit breaker has tripped, or
  - The fuse of the electrical installation is completely removed, or
  - The plug (if present) is removed from the outlet. In the process, pull the plug not the cord.
- ▶ If the drawer is installed behind a cabinet door, do not close the door while the drawer is in operation. Heat and moisture can build up behind the closed door and cause damage to the range and to the surrounding cabinets and flooring. Do not close the door until the drawer has completely cooled down.



# IMPORTANT SAFETY INSTRUCTIONS

---

## Proper use

- ▶ You can burn yourself on a hot warming drawer. When using the appliance, protect your hands by wearing heat-resistant pot holders. Only use dry pot holders. Wet or damp textiles conduct heat more effectively and produce steam, which poses a burn hazard.
- ▶ Fire hazard! Do not store any plastic containers or flammable objects in the warming drawer. They can melt or catch fire when the appliance is switched on.
- ▶ Due to the high temperatures radiated by the warming drawer, nearby flammable objects can catch fire while the appliance is in use. Do not use the warming drawer to heat the room.
- ▶ Never use paper towels or other similar objects in place of the non-slip mat supplied with the appliance.
- ▶ The maximum load capacity of the telescopic drawer rails is 55 lbs (25 kg). If you overload the drawer or lean/stand on it when it is open, you will damage the rails.
- ▶ The underside of the warming drawer gets hot when the appliance is in use. Be careful not to touch it when the drawer is open.
- ▶ The non-slip mat is heat-resistant up to 395°F (200°C). It is possible for the bottom of cookware to exceed this temperature, especially after it has been used to sear food. Allow the cookware to cool down for a minute or two before placing it in the warming drawer.
- ▶ Cookware made of plastic or aluminum foil will melt at high temperatures. When keeping food warm, use only heat-resistant cookware made of porcelain, glass, etc.
- ▶ Liquids that get inside the warming drawer can cause the appliance to short-circuit. Open and close a loaded drawer carefully to prevent liquids from spilling.

## **IMPORTANT SAFETY INSTRUCTIONS**

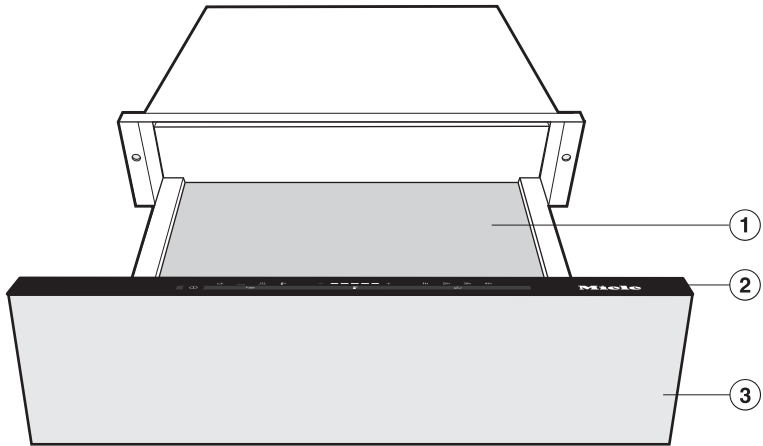
---

- ▶ The "Keep Warm" mode is to be used for keeping hot dishes warm, not for heating up cold food. Make sure that any food placed in the drawer has a high enough temperature.
- ▶ In some foods, bacterial growth may occur if the temperature is too low. Set the appliance to an adequate warming temperature.
- ▶ Loose fitting or hanging garments present a fire hazard. Wear proper apparel while operating the appliance.
- ▶ Smother the fire or flames, or use a dry chemical extinguishing agent or foam fire extinguisher.
- ▶ Before serving, be sure food is at a safe temperature. This is particularly important when preparing food for babies and children.
- ▶ Never warm undiluted alcohol in the warming drawer, this can easily ignite.
- ▶ Exercise caution when warming food with a high sugar content. If heated for too long the sugar may caramelize or ignite.
- ▶ Never add water to food in a hot drawer. The steam created could cause serious burns or scalds.

### **Cleaning and care**

- ▶ Do not use a steam cleaner to clean the warming drawer. The steam may reach electrical components and cause a short circuit.

**SAVE THESE INSTRUCTIONS AND REVIEW THEM PERIODICALLY**



① Non-slip mat

② Control panel

③ Push/pull opening mechanism  
The drawer can be opened and closed by pressing lightly in the middle of the drawer front.

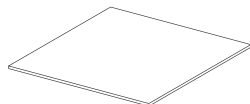
# Overview

---

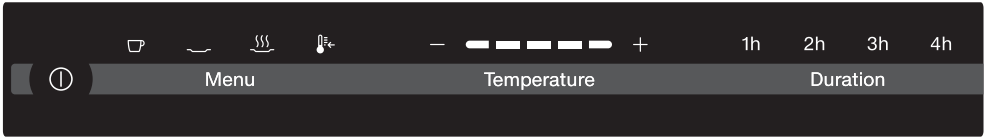
## Included accessories

The accessories supplied with your appliance, as well as a range of optional ones, are available to order from Miele (see "Optional accessories").

### Non-slip mat



For keeping dishware secure.



## Sensor buttons

Sensor button	Description
①	On/Off button
Menu	Selects the operating mode
Temperature	Sets the temperature
Duration	Sets the duration

## Display

Display	Description
	Warm Cups/Glasses mode
	Warm Dishes/Plates mode
	Keep Warm mode
	Low Temperature mode
	Temperature display with segment bars
1h	Duration of 1 hour
2h	Duration of 2 hours
3h	Duration of 3 hours
4h	Duration of 4 hours

## Before using for the first time

---


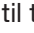
- Please adhere the extra data plate for the appliance supplied with this documentation in the space provided in the "Technical service, data plate, warranty" section of this manual.
- Remove any protective foil and stickers.

### Cleaning the drawer for the first time

- Remove the non-slip mat, if present, and the rack from the drawer and clean them with warm water and liquid dish soap, using a clean soft sponge or damp microfiber cloth.
- Dry the mat and the rack with a soft cloth.
- Wipe the drawer inside and out with a damp cloth to remove any dust or left-over packaging.
- Dry all surfaces with a soft cloth.
- Return the non-slip mat and the rack, if necessary, to the drawer.

### Heating the drawer for the first time

With the drawer empty, heat the appliance for at least two hours.

- Tap the  button to switch on the drawer.
- Tap the "Menu" button repeatedly until the  symbol lights up.
- Tap the "Temperature" button repeatedly until the outer right segment of the temperature display lights up.
- Tap the "Duration" button repeatedly until "2h" lights up.
- Close the drawer.

The drawer switches off automatically after two hours.

The drawer is equipped with a contact switch. The drawer's heater and fan will only operate when the drawer is closed.

Because the metal components are protected by a conditioning agent, there will be a slight odor the first time the drawer is heated up. The harmless odor will dissipate after a short time and does not indicate a faulty connection or appliance defect. During this time, make sure the kitchen is well ventilated.

## Basic operation

The ① button must remain free of debris and liquids. Failure to keep the sensor button clean may cause it to become unresponsive or to switch uncontrollably.

Liquids that get inside the drawer can cause a short-circuit. Open and close a loaded drawer carefully to prevent liquids from spilling.

- Open the drawer.
- Tap the ① button to switch on the drawer.
- Tap the "Menu" button repeatedly until the desired mode lights up.
- Tap the "Temperature" button repeatedly until the segment of the desired temperature lights up in the temperature display.
- Tap the "Duration" button repeatedly until the desired hour lights up.
- Close the drawer.

# Operation

## Operating modes

The following modes are available:

- ☐ Warming cups and glasses
- ☒ Warming dishes and plates
- ☞ Keep Warm
- 🌡️ Low temperature

The next time the appliance is switched on, the previously selected operating mode will automatically appear on the control panel as the active setting.

The drawer is equipped with a fan that distributes the warmed air within the drawer. The fan runs

- continuously in the ☐ "Warm Cups/Glasses" and ☒ "Warm Dishes/Plates" modes.
- and at intervals in the ☞ "Keep Warm" and 🌡️ "Low Temperature" modes.

You can use the drawer to keep food warm while warming dishes at the same time. To do so, select the ☞ "Keep Warm" mode.

### Caution!

Dishes take longer to warm up in this mode as in the "Warm Dishes/Plates" mode, but can get very hot!

## Duration

Do not leave the drawer unattended for too long in continuous operation mode. Keeping food warm for a long time can result in it drying out or even self-igniting. Your drawer is fitted with a safety switch-off mechanism which switches the appliance off after a maximum of 12 hours of continuous operation.

The drawer is set to continuous operation (exception: Low temperature).

A limited duration can be selected by tapping the "Duration" button: tap once for 1 hour (1h), twice for 2 hours (2h), and so on. The maximum duration is 4 hours.

Tapping the button for a fifth time returns the appliance to continuous operation.





## Temperature settings

A temperature range is assigned to each operating mode. The default recommended temperatures appear in bold. The temperature can be changed in 5° increments by tapping the "Temperature" button.

The next time the drawer is switched on, the previously selected temperature is automatically shown in the display as the current setting (exception: Low temperature).




# Operation

Temperature display	Temperature °F/°C *			
				
■ □ □ □ □	105 / 40	140 / 60	150 / 65	150 / 65
□ ■ □ □ □	115 / 45	150 / 65	160 / 70	160 / 70
□ □ ■ □ □	<b>120 / 50</b>	<b>160 / 70</b>	<b>170 / 75</b>	170 / 75
□ □ □ ■ □	130 / 55	170 / 75	175 / 80	175 / 80
□ □ □ □ ■	140 / 60	175 / 80	185 / 85	<b>185 / 85</b>


\* approximate temperatures, measured in the center of an empty drawer

# Keeping food warm

---

The minimum temperatures for keeping food warm (150°F / 65°C) may not be exceeded. Use only the "Keep Warm"  mode to ensure that the minimum temperature is maintained.

This operating mode is designed to keep food warm immediately after it has been cooked, i.e. when it is still hot. It is not intended for reheating food that is cold.

- Select the  mode.
- Select the desired time setting.

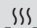
The drawer must be preheated for about 15 minutes to ensure that the temperature required for keeping food warm is reached.

- Place the dishware inside the drawer for preheating.
- After 15 minutes, remove the preheated dishware from the warming drawer and fill it with the hot food. Use pot holders to remove the dishware.
- Place the dishes in the drawer and close it carefully to prevent liquid foods from spilling.

## Tips

- Place the hot food in pre-warmed dishes. To preheat dishes, place them in the drawer while it is being preheated.
- Cover roasted or fried foods that are to remain crispy. Use a higher temperature to keep this type of food warm.
- Cover food with a high moisture content, liquids and foods which can develop a skin, with aluminum foil or a plate.
- To avoid spilling the food, do not overfill dishes.
- Freshly cooked food is hotter than food which has been kept warm. Serve food that has been kept warm on preheated plates.
- Foods begin to lose their nutrients during the cooking process and continue to do so while being kept warm. The longer food is kept warm, the greater the loss of nutrients.
- We do not recommend keeping food warm for too long, as it will continue to cook.
- The food may cool down if the drawer is opened frequently.
- Do not slam the drawer open or shut. Liquids could spill over and get into the vents or inside the drawer.

## Settings

Food	Cook-ware	Cover dishes	Temperature setting for 	Position	
				Bot-tom	Rack*
Steak, rare	Plate	No	<input checked="" type="checkbox"/> <input type="checkbox"/> <input type="checkbox"/> <input type="checkbox"/> <input type="checkbox"/>	x	x
Casserole / Gratin	Casserole dish	Yes	<input type="checkbox"/> <input type="checkbox"/> <input type="checkbox"/> <input checked="" type="checkbox"/> <input type="checkbox"/>	x	
Roast	Plate	Yes	<input type="checkbox"/> <input type="checkbox"/> <input checked="" type="checkbox"/> <input type="checkbox"/> <input type="checkbox"/>	x	
Casserole	Pot	Yes	<input type="checkbox"/> <input type="checkbox"/> <input type="checkbox"/> <input checked="" type="checkbox"/> <input type="checkbox"/>	x	
Fish sticks	Pan	No	<input type="checkbox"/> <input type="checkbox"/> <input type="checkbox"/> <input type="checkbox"/> <input checked="" type="checkbox"/>	x	
Meat in gravy / sauce	Pot	Yes	<input type="checkbox"/> <input type="checkbox"/> <input type="checkbox"/> <input checked="" type="checkbox"/> <input type="checkbox"/>	x	
Vegetables in sauce	Pot	Yes	<input type="checkbox"/> <input type="checkbox"/> <input type="checkbox"/> <input checked="" type="checkbox"/> <input type="checkbox"/>	x	
Stew	Pot	Yes	<input type="checkbox"/> <input type="checkbox"/> <input type="checkbox"/> <input checked="" type="checkbox"/> <input type="checkbox"/>	x	
Mashed potatoes	Pot	Yes	<input type="checkbox"/> <input type="checkbox"/> <input checked="" type="checkbox"/> <input type="checkbox"/> <input type="checkbox"/>	x	
Plated meal	Plate	Yes	<input type="checkbox"/> <input type="checkbox"/> <input type="checkbox"/> <input checked="" type="checkbox"/> <input type="checkbox"/>	x	
Baked / Boiled potatoes with skin	Plate / pot	Yes	<input type="checkbox"/> <input type="checkbox"/> <input checked="" type="checkbox"/> <input type="checkbox"/> <input type="checkbox"/>	x	
Breaded cutlets	Pan	No	<input type="checkbox"/> <input type="checkbox"/> <input type="checkbox"/> <input type="checkbox"/> <input checked="" type="checkbox"/>	x	
Pancakes	Plate	No	<input type="checkbox"/> <input type="checkbox"/> <input type="checkbox"/> <input type="checkbox"/> <input checked="" type="checkbox"/>	x	x
Pizza	Plate	No	<input type="checkbox"/> <input type="checkbox"/> <input type="checkbox"/> <input type="checkbox"/> <input checked="" type="checkbox"/>	x	
Boiled potatoes	Pot	Yes	<input type="checkbox"/> <input type="checkbox"/> <input type="checkbox"/> <input checked="" type="checkbox"/> <input type="checkbox"/>	x	
Sauce	Pot	Yes	<input type="checkbox"/> <input type="checkbox"/> <input type="checkbox"/> <input checked="" type="checkbox"/> <input type="checkbox"/>	x	
Strudel	Plate	No	<input type="checkbox"/> <input type="checkbox"/> <input type="checkbox"/> <input checked="" type="checkbox"/> <input type="checkbox"/>	x	
Warming bread loaf	–	No	<input checked="" type="checkbox"/> <input type="checkbox"/> <input type="checkbox"/> <input type="checkbox"/> <input type="checkbox"/>	x	x
Warming rolls	–	No	<input checked="" type="checkbox"/> <input type="checkbox"/> <input type="checkbox"/> <input type="checkbox"/> <input type="checkbox"/>	x	x

\* depending on the appliance model

# Warming dishes

---

## Tips


- Distribute the dishware over the whole area of the drawer whenever possible. Stacks of plates heat up more slowly than individual pieces. If it is not possible to avoid large stacks of plates, place them at the front of the drawer.  
Use the rack (depending on the appliance model).
- Do not place large serving dishes in front of the air vents in an upright position. This will block the warm air outlets, and the plates and dishes will not warm evenly.
- For cups and glasses, only select the "Warm Cups/Glasses" mode  to ensure that the maximum temperature (140°F/60°C) is not exceeded.
- Warmed dishes and plates cool down rapidly. Do not remove them until you are ready to use them.

## Warming times

Various factors will affect the warming times:

- The material and thickness of the dish
- The amount of dishes placed in the drawer
- The arrangement of the dishes in the drawer
- The temperature setting

Due to these factors, it is not possible to provide exact warming times. The following information can be used as a guide:

In the  mode, it will take approximately

- 30 - 35 minutes to evenly warm 6 place settings
- 40 - 45 minutes to evenly warm 12 place settings

As you continue to use the appliance, you will get to know which setting best fits your needs.

### Capacity

The telescopic runners can support **55 lbs / 25 kg.**

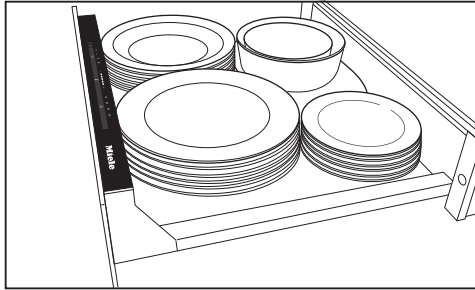
Overloading the drawer will damage the runners.

The quantity that can be loaded will depend to a great extent on the weight and size of your own dishware.

# Warming dishes

---

The following loading examples are intended to serve as a guide:



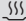


## 6 place settings

6 dinner plates	Ø 10 1/4" (26 cm)
6 deep soup plates	Ø 9" (23 cm)
6 dessert plates	Ø 7 1/2" (19 cm)
1 oval platter	12 1/2" (32 cm)
1 serving bowl	Ø 6 1/4" (16 cm)
1 serving bowl	Ø 5" (13 cm)

## Or one of the following arrangements:

12 dinner plates	Ø 10 1/4" (26 cm)
18 deep soup plates	Ø 9" (23 cm)
16 soup bowls	Ø 4" (10 cm)
6 dinner plates and 6 deep soup plates	Ø 10 1/4" (26 cm) Ø 9" (23 cm)
6 pizza plates	Ø 14 1/4" (36 cm)
72 espresso cups	Ø 2 1/4" (5.9 cm)
30 cappuccino cups	Ø 3 1/2" (8.8 cm)
30 tea glasses	Ø 2 3/4" (6.7 cm) / 3 1/4" (8 cm) high

## Other uses

Food	Cookware	Cover dishes			 [h:min]
Defrosting berries	Bowl / plate	No	■ □ □ □ □		12:50
Dissolving gelatin	Bowl	No	□ □ □ □ ■		12:15
Proofing	Bowl	Yes, with plate		■ □ □ □ □	12:30
Preparing yo-gurt	Yogurt jars with lids	-		□ ■ □ □ □	5:00
Soaking rice pudding	Pot	Yes, with lid	□ □ □ □ ■		12:40
Melting Chocolate	Bowl	No	□ □ □ □ ■		12:20
Defrosting vegetables	Bowl	No	□ □ ■ □ □		1:00

 Temperature setting /  Temperature setting /  Duration

## Cleaning and care

---



### Risk of injury!

The steam from a steam cleaner could reach electrical components and cause a short circuit.

Do not use a steam cleaner to clean the warming drawer.

Unsuitable cleaning agents can discolor and damage the surfaces of the appliance. Only use liquid dish soap and warm water applied with a soft sponge or cloth.

All surfaces are susceptible to scratching. Scratches on glass surfaces may cause a breakage.

Immediately remove any residues left by cleaning agents.

Allow the drawer to cool down to a safe temperature before cleaning.

- The drawer and accessories should be cleaned and dried thoroughly after each use.

### Unsuitable cleaning agents

To better maintain your appliance avoid the following:

- Cleaners containing soda, ammonia, thinners, or chlorides
- Descaling agents
- Abrasive cleaning agents, such as powder or cream cleansers, pumice stones
- Solvent-based cleaners
- Stainless steel cleaners
- Dishwasher cleaners
- Oven sprays
- Hard, abrasive sponges and brushes, such as pot scrubbers or scrub sponges
- Sharp metal scrapers



## Cleaning the drawer front and interior

The On/Off button must remain free of grime and liquids. Failure to keep the sensor button clean may cause it to become unresponsive or to switch uncontrollably.

- It is best to remove normal soiling immediately using a clean sponge and a solution of warm water and liquid dish soap or with a clean, damp microfiber cloth.
- Wipe with clean water afterwards.
- After cleaning, dry the surfaces with a soft cloth.

Glass cleaning agent can be used for the appliance front.

The long exposure time of glass cleaning agents can damage the surface.  
Wash off the cleaning agent immediately and make sure that no puddles form.

## Cleaning the non-slip mat


Do not clean the non-slip mat in the dishwasher or washing machine. Never place it in the oven to dry!



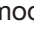
- Remove the non-slip mat for cleaning.
- Clean the mat by hand only, using warm water and a small amount of liquid dish soap, and then dry using a cloth.
- Do not return the non-slip mat to the warming drawer until it is completely dry.

## Frequently asked questions

The following faults can be corrected without contacting the Miele Service Department.

If in doubt, please contact Miele.

 Repairs should only be carried out by an authorized technician in accordance with local and national safety regulations. Unauthorized repairs could cause injury or appliance damage. Do not attempt to open the warming drawer housing.

Problem	Possible cause and solution
<b>The drawer does not heat up.</b>	The plug is not properly inserted. ■ Insert the plug.
	The circuit breaker has tripped. ■ Check the fuse (minimum fuse rating: see data plate). If the drawer still will not turn on after reactivating the fuse, contact a qualified electrician or Miele Technical Service.
<b>The food is not hot enough.</b>	The "Keep Warm"  mode is not set. ■ Set the correct operating mode.
	The temperature setting is too low. ■ Select a higher temperature.
	The air vents are covered. ■ Make sure that air can circulate freely.
<b>The food is too hot.</b>	The "Keep Warm"  mode is not set. ■ Set the correct operating mode.
	The temperature setting is too high. ■ Select a lower temperature.
<b>The dishes are not hot enough.</b>	The "Warm Dishes/Plates"  mode is not set. ■ Set the correct operating mode.
	The temperature setting is too low. ■ Select a higher temperature.
	The air vents are covered. ■ Make sure that air can circulate freely.
	The dishes have not been warmed long enough. ■ The warming-up time for dishes is influenced by various factors (see "Warming dishes").

## Frequently asked questions

Problem	Possible cause and solution
<b>The dishes are too hot.</b>	The "Warm Dishes/Plates" ☞ or "Warm Cups/Glasses" ☞ mode is not set. ■ Set the correct operating mode.
	The temperature setting is too high. ■ Select a lower temperature.
<b>Noise occurs during operation</b>	The noise is caused by the fan, which distributes the heat evenly throughout the drawer. The fan runs at intervals in the "Keep Warm" and "Low temperature" modes. This is not a fault.

## Optional accessories

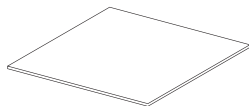
---

Miele offers a range of useful accessories, as well as cleaning and conditioning products for your appliance.

Depending on country, these can be ordered online from Miele.


You can also obtain these products from Miele Service (see end of this booklet for contact details) or your Miele dealer.

### Non-slip mat



For keeping dishware secure.

## IMPORTANT SAFETY INSTRUCTIONS - INSTALLATION

 **WARNING** - Read all instructions before installation or use of the steam oven to prevent injury and machine damage.

▶ Before connecting the appliance to the power supply, ensure that the connection data (voltage and frequency) on the data plate of the drawer match the electrical supply.

This data must correspond in order to avoid the risk of damage to the warming drawer. Consult a qualified electrician if in any doubt.

▶ The electrical outlet must be easily accessible after the installation of the drawer.

▶ The drawer may only be built in combination with those appliances specified by Miele as being suitable. Miele cannot guarantee trouble-free operation if the appliance is operated in combination with appliances other than those quoted by Miele as being suitable.

▶ The base on which the drawer and the combination appliance are fitted must be fixed in place and must support the weight of both appliances.

▶ When building in the combination appliance, it is essential to follow the instructions given in the operating and installation instructions supplied with the combination appliance.

▶ The drawer must be installed in such a way that

- you can see the contents of cookware. Otherwise you may risk scalding or burning yourself with hot water and food when removing containers.
- there is enough space to pull out the drawer.

# Instructions for installation

---

The combination appliance is placed on top of the drawer without the need for an interim shelf.

The drawer is available in two models, which differ in height. The installation dimensions for the food warming drawer must be added to the installation dimensions for the combination appliance to establish the niche size required.

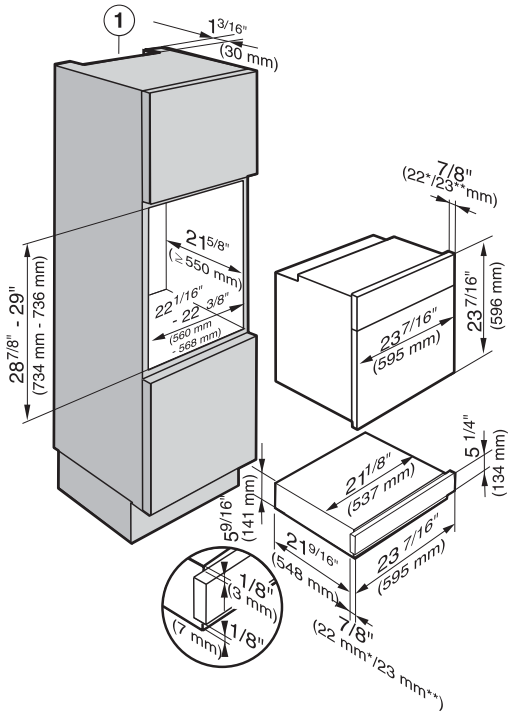
All dimensions in this instruction booklet are given in mm and inches.
--

## **Note to the installer:**

Please leave these instructions with the consumer of the appliance for the local building inspectors use.

**SAVE THESE INSTRUCTIONS.**

## ESW with H 2xxx B(P) / H 6xxx B(P)

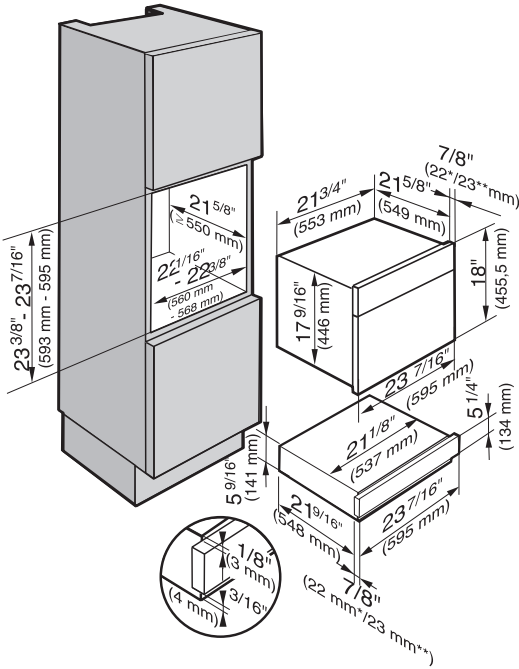


- ① Vent cut-out for when appliance is installed in combination with a self cleaning oven
- ② Installation dimensions with plug  
Power cord L= 7' 2 5/8" (2200 mm)
- \*) Glass front / \*\*) Stainless steel front





## ESW with DG 6x00 / DG 6x0x

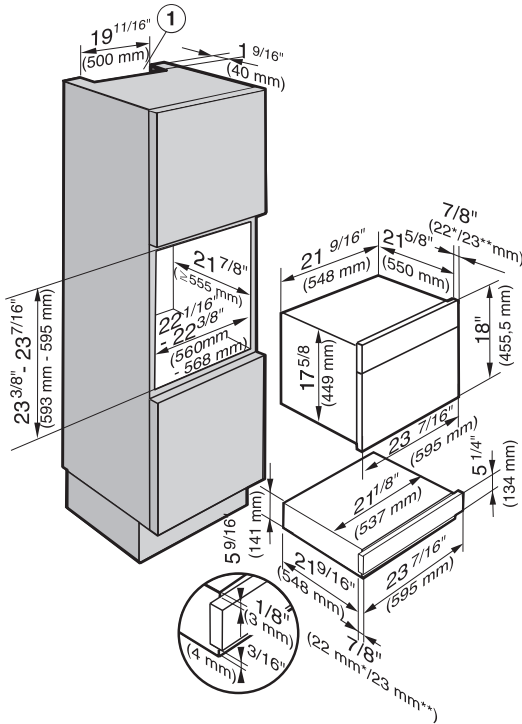


- ② Installation dimensions with plug  
Power cord L=  $7' 2\frac{5}{8}''$  (2200 mm)

\*) Glass front / \*\*) Stainless steel front

# Installation dimensions

## ESW with DGC 6500 / DGC 6600 / DGC 680x



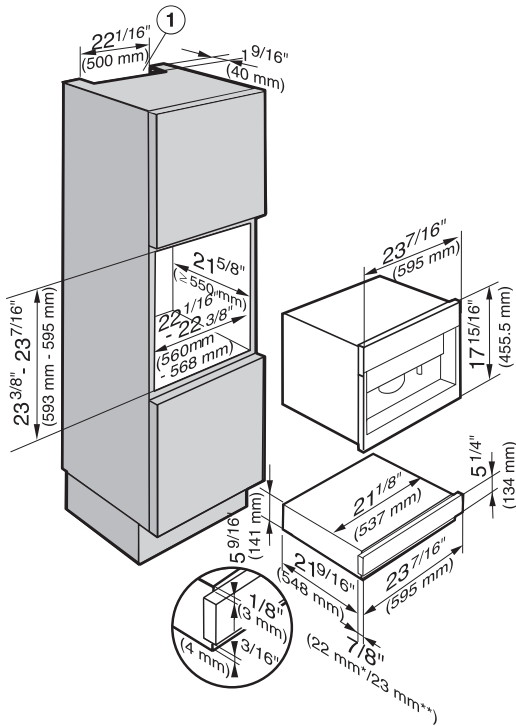
① Vent cut-out for when appliance is installed in combination with a combination steam cooker with oven

② Installation dimensions with plug  
Power cord L=  $7' 2\frac{5}{8}''$  (2200 mm)

\*) Glass front / \*\*) Stainless steel front

For DGC 6805, cut-outs are required for the water supply and drain hoses (see the DGC 6805 installation instructions).

## ESW with CVA 6401 / CVA 68xx



① Ventilation cut-out for installation in combination with a coffee machine

② Installation dimensions with plug  
Power cord L=  $7' 2\frac{5}{8}''$  (2200 mm)

\*) Glass front / \*\*) Stainless steel front

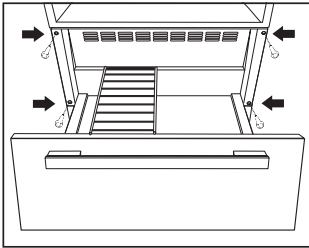
In combination installations be sure that each appliance has its own dedicated electrical connection.

# Installation

---

The base of the drawer must be clean and level. This is important for appliance to function correctly.

- Push the drawer into the housing unit as far as the vapor strip and align it at a right angle.
- Open the drawer, and use the screws supplied (2 for the small drawer, 4 for the large drawer) to secure it to the side walls of the housing unit.



- Install the combination appliance in accordance with its own specific operating and installation instructions.

## ATTENTION:

Before installation or servicing, disconnect the power supply by either removing the fuse, manually "tripping" the circuit breaker or unplugging the appliance. Pull the plug not the cord.

Repairs and service by unqualified persons could be dangerous and the manufacturer will not be held responsible.

Installation work and repairs should only be performed by a qualified technician in accordance with all applicable codes and standards. Installation, repair, and maintenance work should only be performed by a Miele-authorized service technician.

The voltage and frequency listed on the rating label must correspond with the household electrical supply to prevent appliance damage.

Check these data before connection. Consult an electrician if in doubt.

When another appliance is installed in combination with the warming drawer to the same circuit, operating both appliances at the same time may cause an overload.

If in doubt consult a qualified electrician.

## Connection

- Make sure that the connection data on the data plate (voltage, frequency, and fuse rating) matches that of your electrical supply.

## Connection data

The drawer is ready for connection and equipped with a 2.0 m mains cable with a plug.

120 V / 15 A / 60 Hz

Make sure that the connecting socket is accessible after the installation of the drawer.

## Installer:

- Please leave these instructions with the customer.

# Caring for the environment

---

## **Disposal of the packing material**

The cardboard box and packing materials protect the appliance during shipping. They have been designed to be biodegradable and recyclable.

Ensure that any plastic wrappings, bags, etc. are disposed of safely and kept out of the reach of children. Danger of suffocation!

## **Disposal of your old appliance**

Old electrical and electronic appliances often still contain valuable materials. However, they also contain harmful substances that were essential for the proper functioning and safe use of the equipment. Handling these materials improperly or disposing of them in your household waste can be harmful to your health and the environment. Therefore, please do not dispose of your old appliance with regular household waste.

Old appliances may contain materials that can be recycled. Please contact your local recycling authority about the possibility of recycling these materials.

Please be sure that your old appliance does not pose a danger to children while being stored for disposal.

# Technical service, data plate, warranty

---

## After sales service

In the event of a fault which you cannot easily correct yourself, please contact:

- your Miele dealer, or
- the Miele Technical Service Department.

See back cover for contact details.

Please quote the model and serial number of your appliance when contacting Miele.

## Data plate

Adhere the extra data plate supplied with the appliance here. Ensure that the model number is the same as the one on the back of these operating instructions.

## Warranty

For further information, please refer to your warranty booklet.

# MieleCare

---

This service is available in USA only.

**MieleCare**, our Extended Service Contract program, gives you the assurance of knowing that your appliance investment is covered by 5 years of worry free ownership.

**MieleCare** is the only Extended Service Contract in the industry that guarantees repairs by a Miele Authorized Service Provider using genuine Miele parts. Only genuine Miele parts installed by factory trained professionals can guarantee the safety, reliability, and longevity of your Miele appliance.

Please note that unless expressly approved in writing by Miele's Service department, Extended Service Contracts offered by other providers for Miele products will not be recognized by Miele. Our goal is to prevent unauthorized (and untrained) service personnel from working on your Miele products, possibly doing further damage to them, you and/or your home.

To learn more about **MieleCare** Extended Service Contracts, please contact your appliance dealer or visit us online at:

[www.mieleusa.com](http://www.mieleusa.com)







Please have the model and serial number  
of your appliance available before  
contacting Technical Service.

---

The Miele logo consists of the word "Miele" in a bold, white, sans-serif font, set against a solid black rectangular background.

## **U.S.A.**

**Miele, Inc.**

### **National Headquarters**

9 Independence Way  
Princeton, NJ 08540  
Phone: 800-843-7231  
Fax: 609-419-4298  
[www.mieleusa.com](http://www.mieleusa.com)

### **Technical Service & Support**

#### **Nationwide**

Phone: 800-999-1360  
Fax: 888-586-8056  
[TechnicalService@mieleusa.com](mailto:TechnicalService@mieleusa.com)

## **Germany**

### **Manufacturer**

Miele & Cie. KG  
Carl-Miele-Straße 29  
33332 Gütersloh

## **Canada**

**Importer**

**Miele Limited**

### **Headquarters and Miele Centre**

161 Four Valley Drive  
Vaughan, ON L4K 4V8  
[www.miele.ca](http://www.miele.ca)

### **Customer Care Centre**

Phone: 800-565-6435  
905-532-2272  
[customercare@miele.ca](mailto:customercare@miele.ca)

ESW 6114 / ESW 6214



en-US

M.-Nr. 09 781 150 / 04