

External Range Hood Blower

DREB XL



SPECIFICATIONS

DREB XL – Item

Overall Width - Excluding mounting Tab Dimension 19⁹/₁₆" (488mm)

Overall Height - Excluding mounting Tab Dimension 18¹⁵/₁₆" (481mm)

Overall Depth - Excluding mounting Tab Dimension 15" (381mm)

Mounting Tab Length - Past Blower Housing 1/2" (13mm)

Airflow Rate

CFM 700 Max

Exhaust Ducting

Recommended Duct Diameter 8" (203mm)

Electrical

Electrical Requirements 120V, 60Hz, 15 Amps, 615W

Power Cord Yes - 6 Pole Plug Connector

Shipping

Shipping Weight 41.7 lbs (18.9 kg)

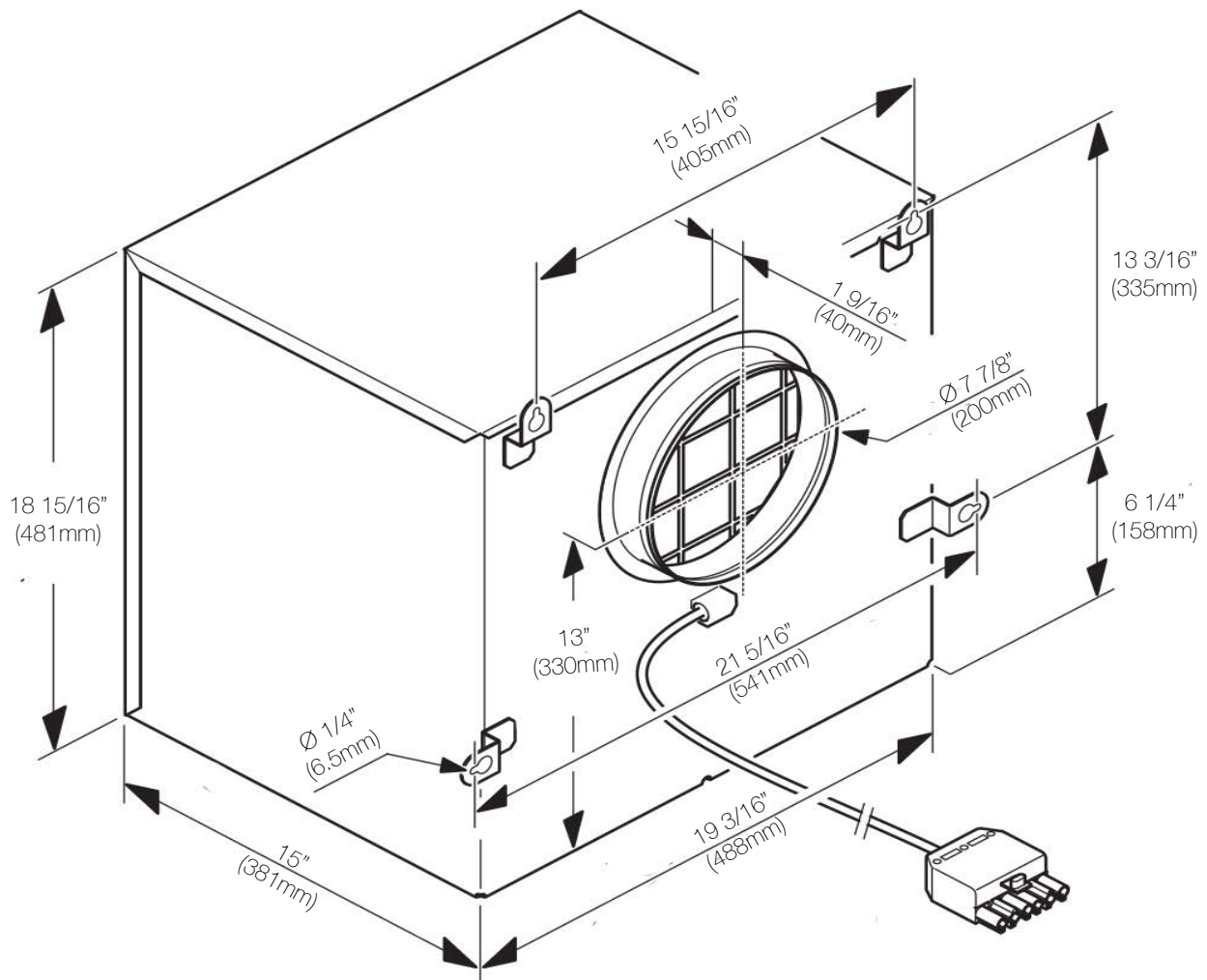
Support

Call 800.843.7231

External Blower DREB XL



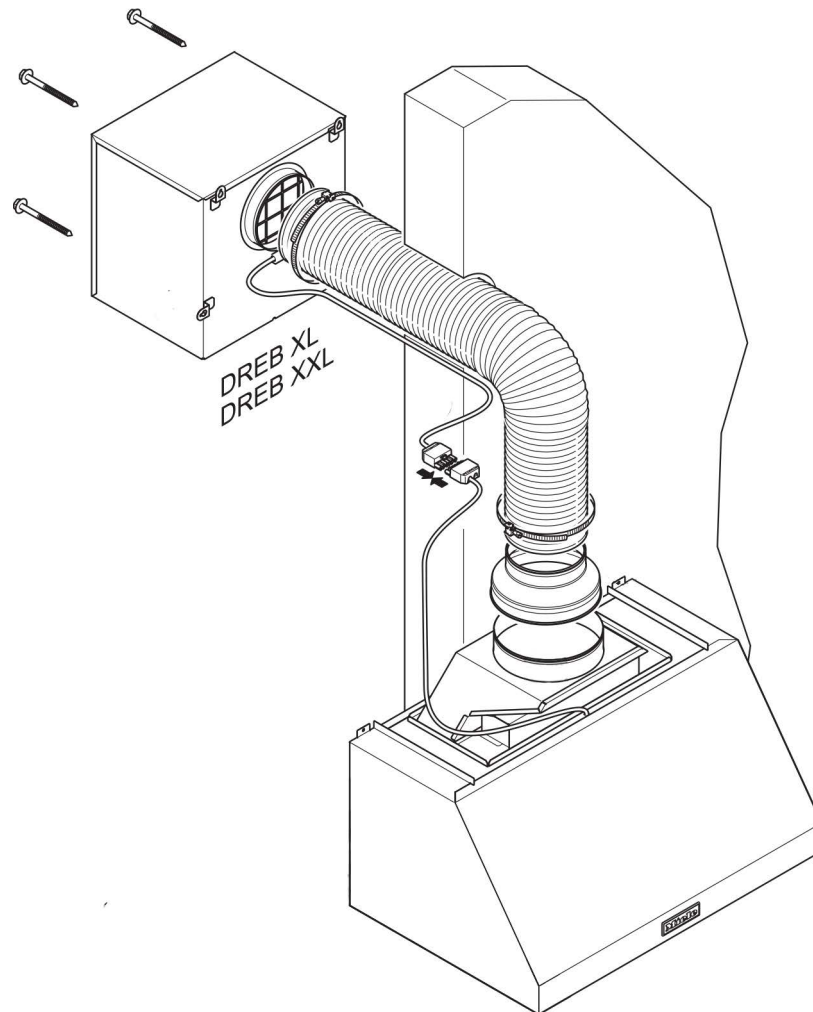
DREB XL Dimensions



External Blower DREB XL



Product Installation



External Range Hood Blower

DREB XXL



SPECIFICATIONS

DREB XXL — Item 28996348USA

Overall Width - Excluding mounting Tab Dimension 19³/₁₆" (488mm)

Overall Height - Excluding mounting Tab Dimension 18¹⁵/₁₆" (481mm)

Overall Depth - Excluding mounting Tab Dimension 15" (381mm)

Mounting Tab Length - Past Blower Housing 1/2" (13mm)

Air Flow Rate

CFM 1100 Max

Exhaust Ducting

Recomened Duct Diameter 10" (254mm)

Electrical

Electrical Requirements 120V, 60Hz, 15 Amps, 800W

Power Cord Yes - 6 Pole Plug Connector

Shipping

Shipping Weight 48.5 lbs (22 kg)

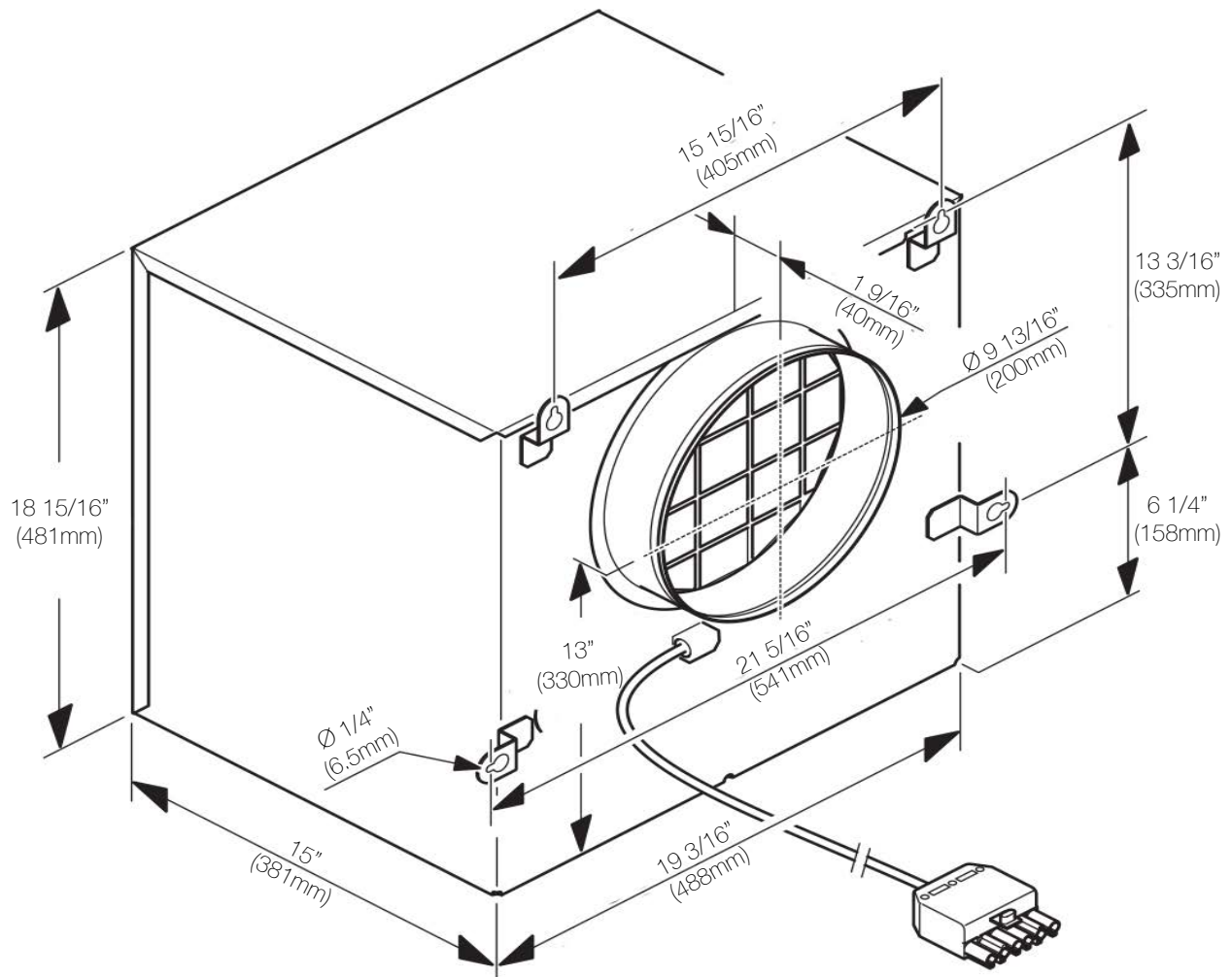
Support

Call 800.843.7231

External Blower DREB XXL



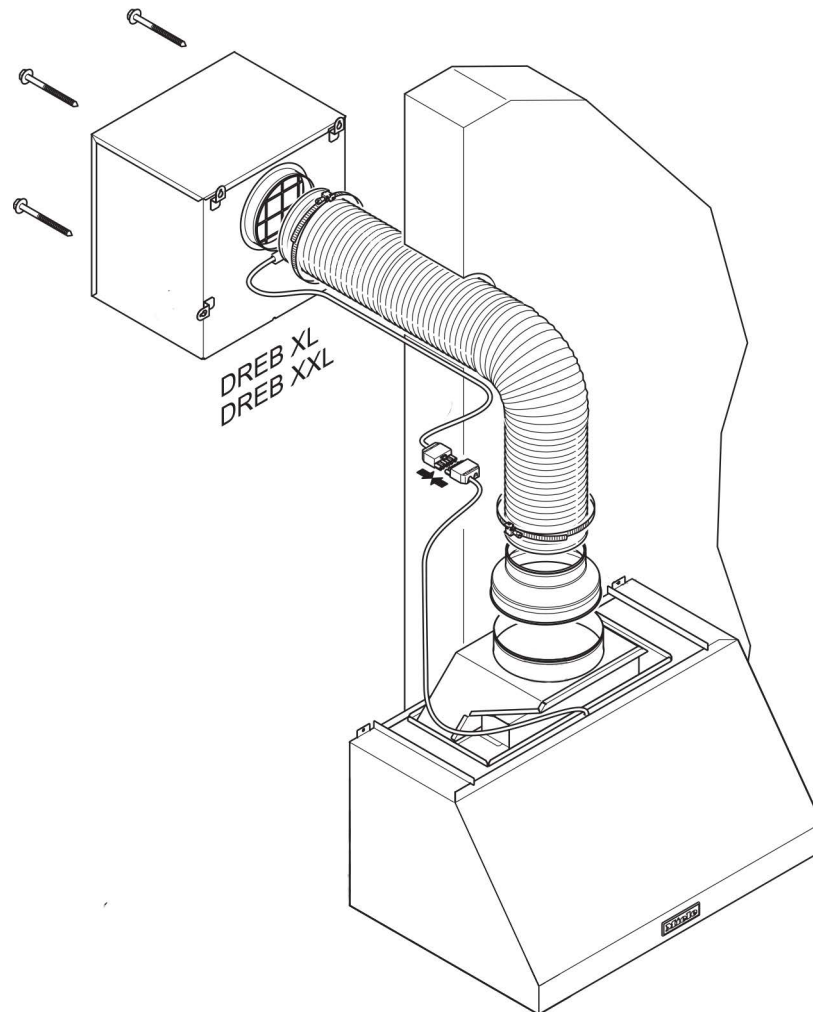
DREB XXL Dimensions



External Blower DREB XXL



Product Installation



Internal Range Hood Blower

DRIB XL



SPECIFICATIONS

DRIB XL — Item 28996345USA

Airflow Rate

CFM 700

Exhaust Ducting

Recommended Duct Diameter 8" (203mm)

Electrical

Electrical Requirements 120V, 60Hz, 15 Amps, 615W

Power Cord Yes - 6 Pole Plug Connector

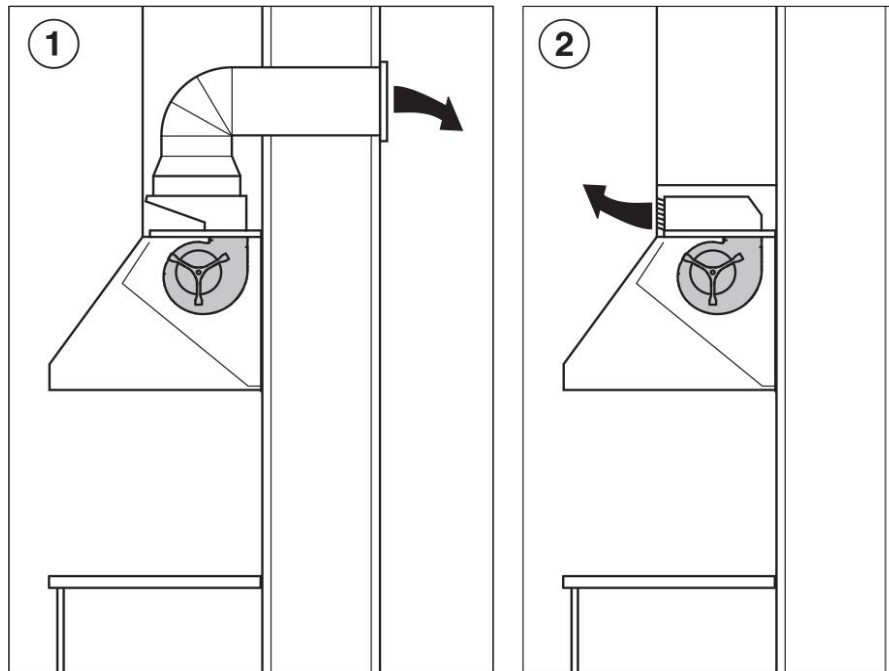
Shipping

Shipping Weight 34 lbs (15.4 kg)

Support

Call 800.843.7231

INSTALLATION OPTIONS



- ① Air extraction with internal blower DRIB XL or XXL.
- ② Recirculation with internal blower DRIB XL and conversion kit DRUU.

Internal Range Hood Blower

DRIB XXL



SPECIFICATIONS

DRIB XXL — Item 28996346USA

Air Flow Rate

CFM 1100

Exhaust Ducting

Recommended Duct Diameter 10" (254mm)

Electrical

Electrical Requirements 120V, 60Hz, 15 Amps, 800W

Power Cord Yes - 6 Pole Plug Connector

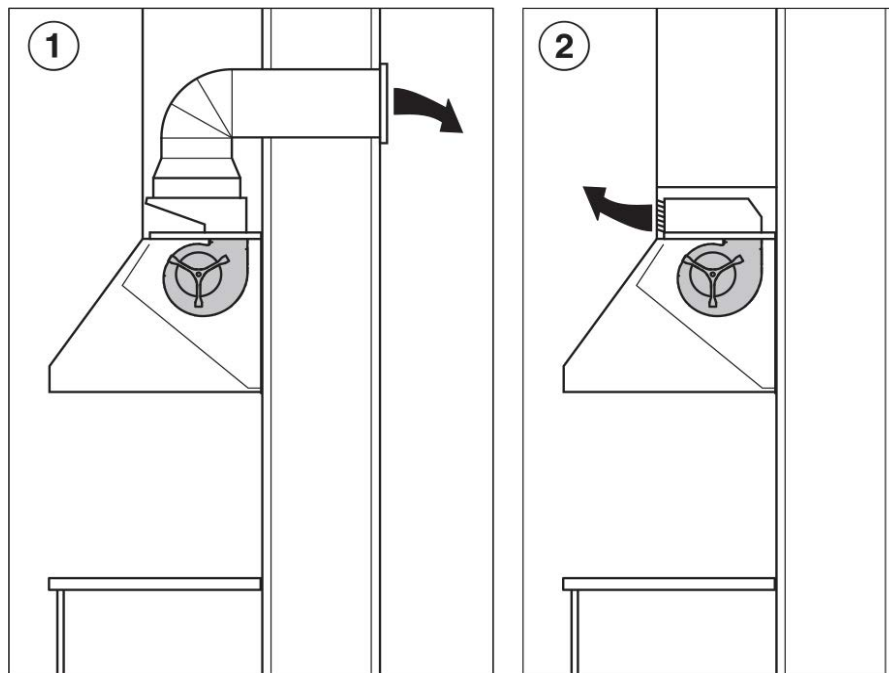
Shipping

Shipping Weight 33.3 lbs (15.1 kg)

Support

Call 800.843.7231

INSTALLATION OPTIONS



- ① Air extraction with internal blower DRIB XL or XXL.
- ② Recirculation with internal blower DRIB XL and conversion kit DRUU.